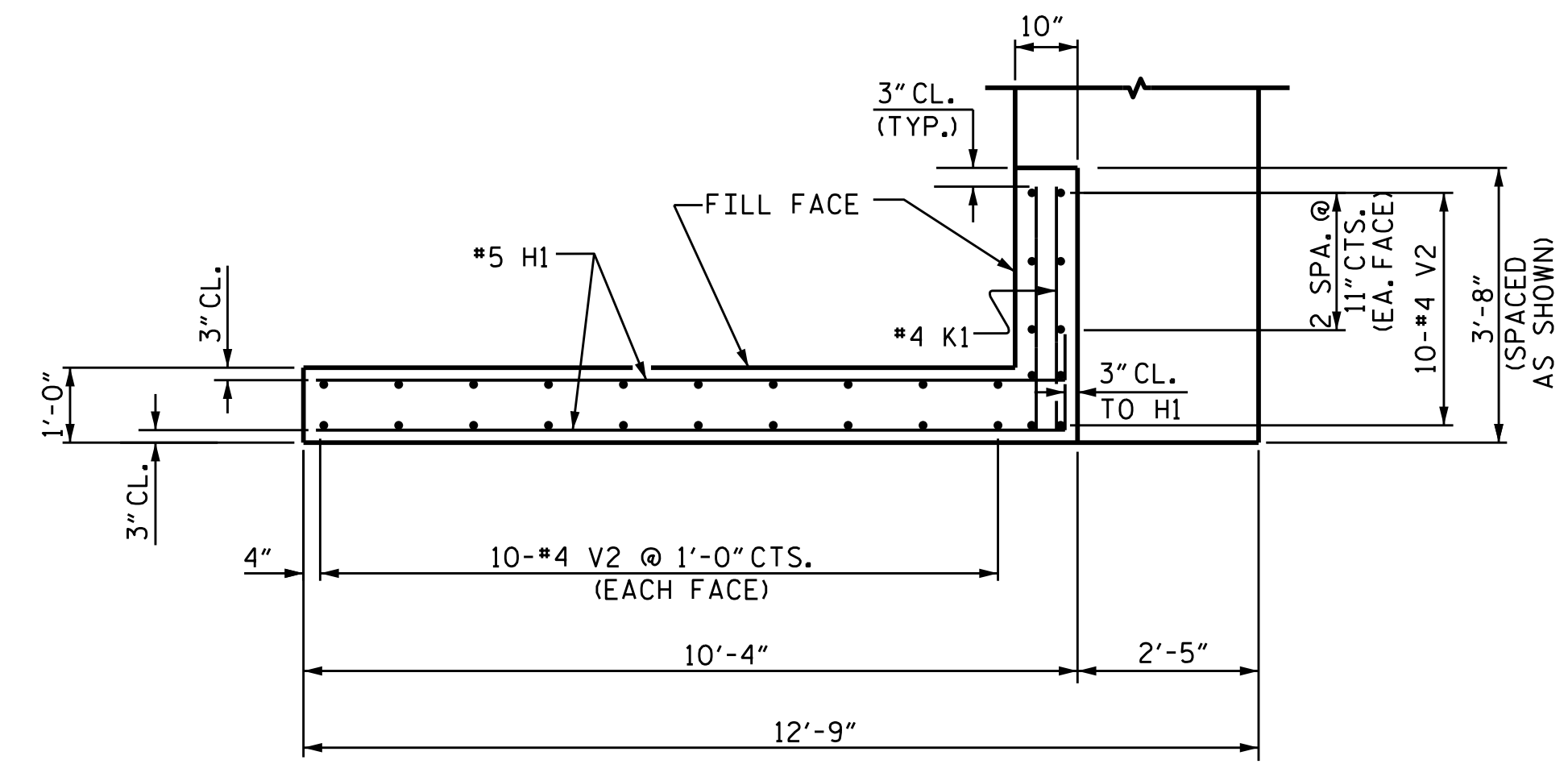
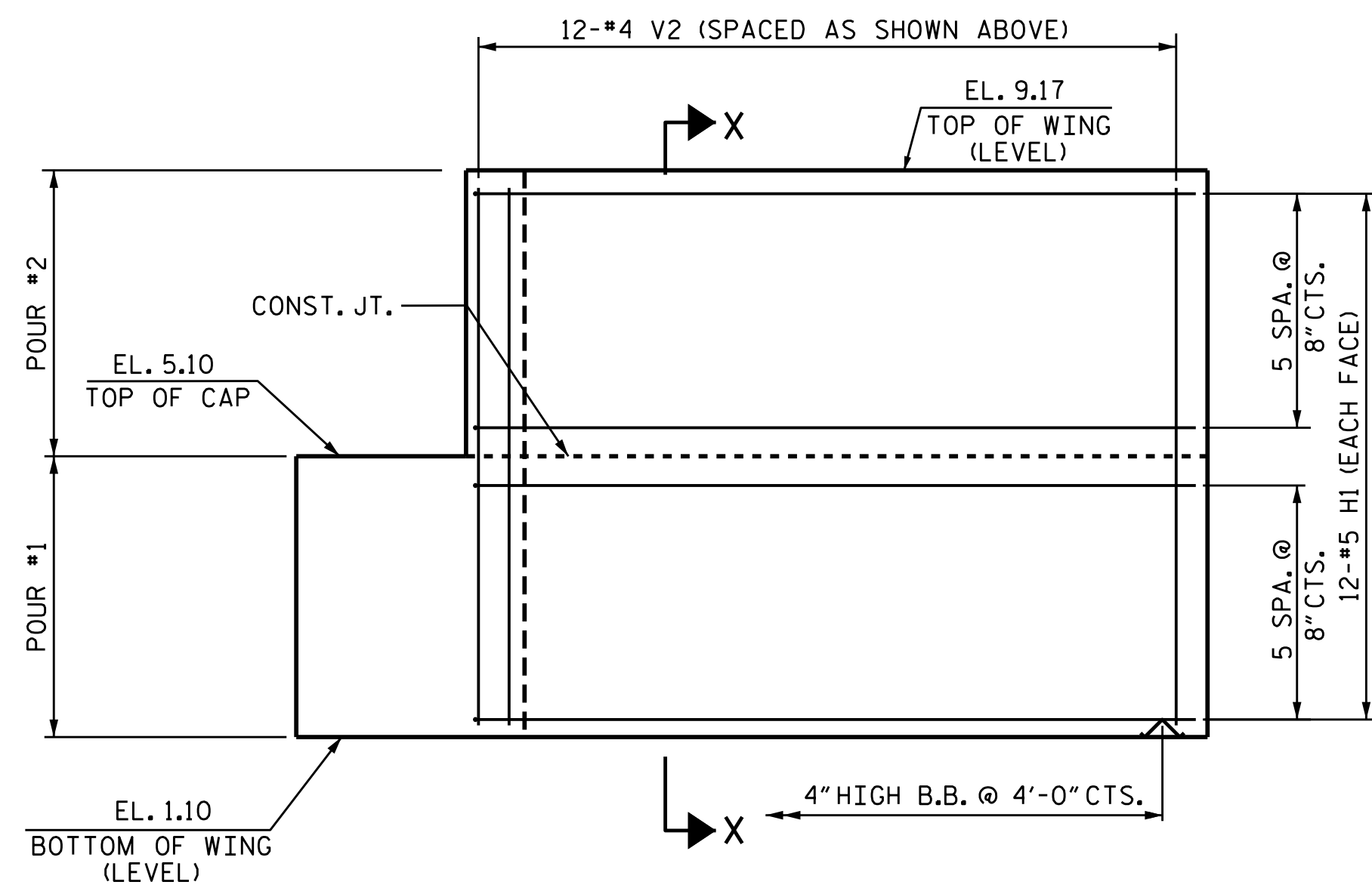


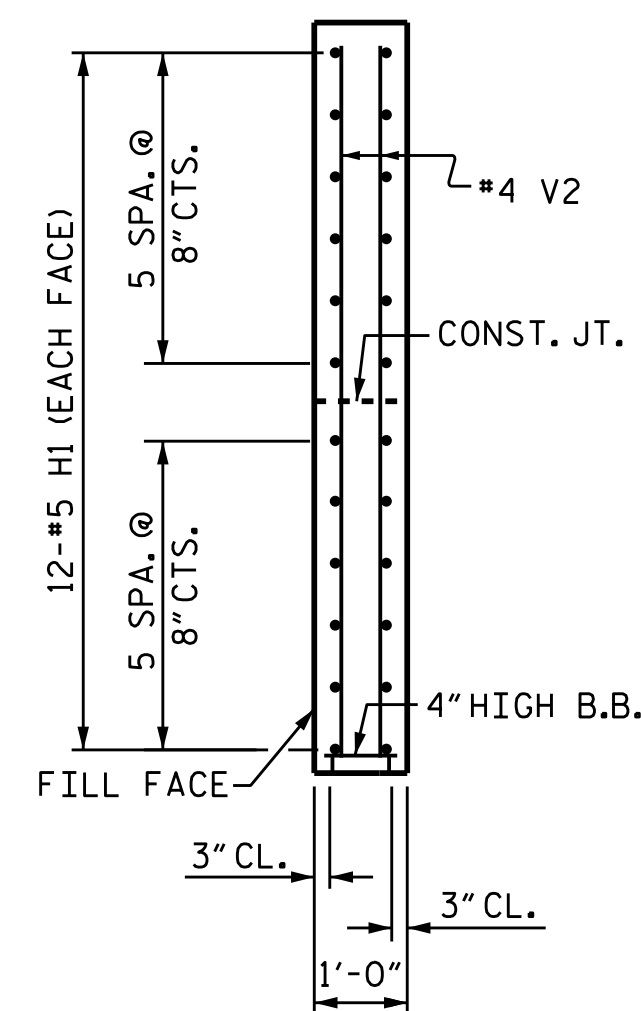
PLAN OF WING W1



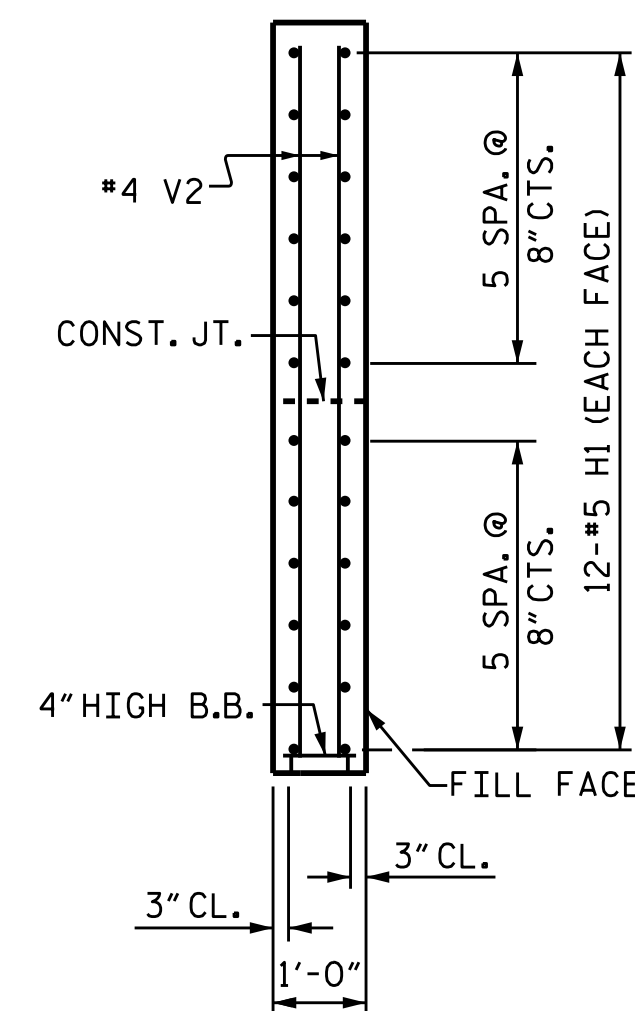
PLAN OF WING W2



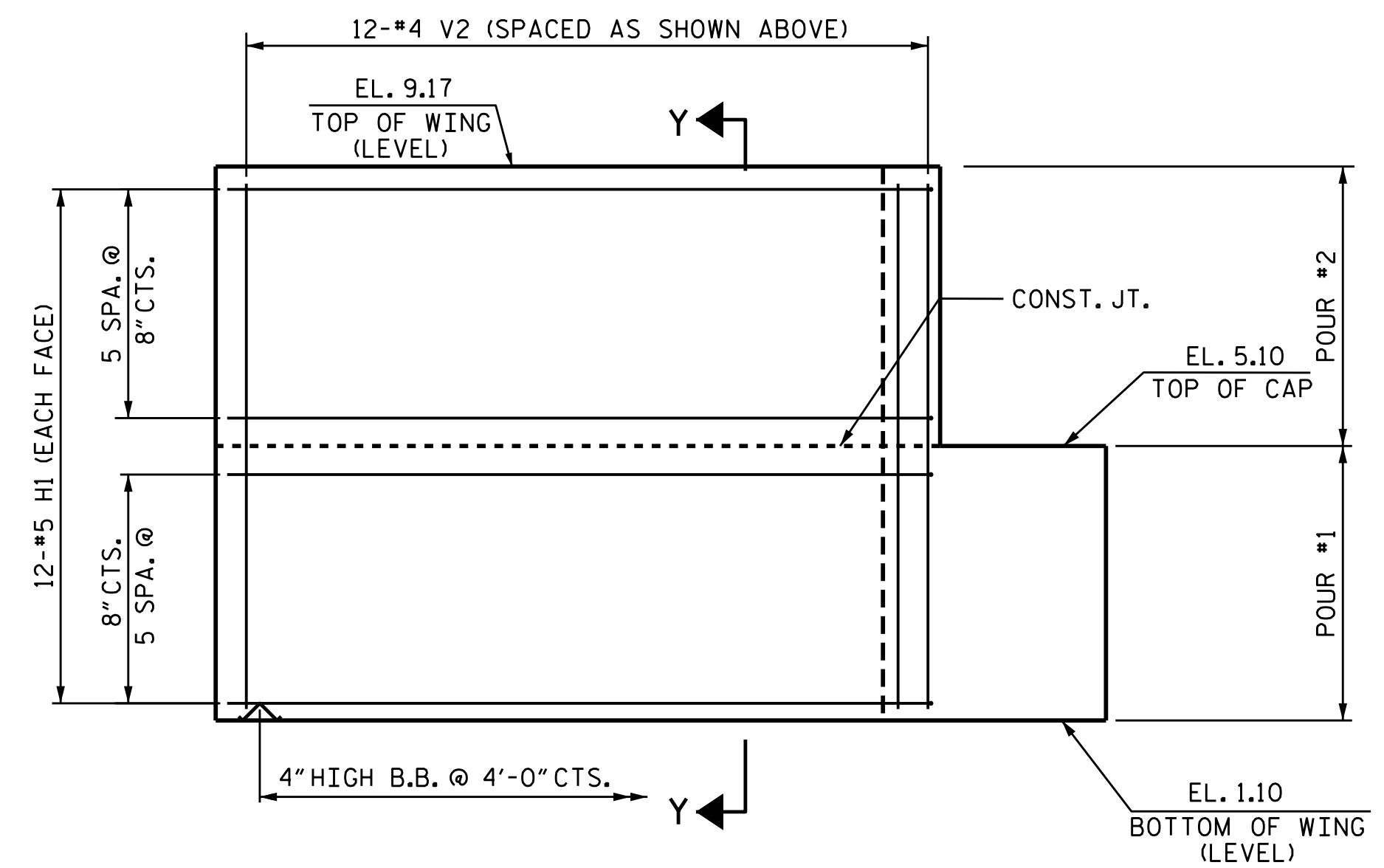
ELEVATION OF WING W1



SECTION X-X



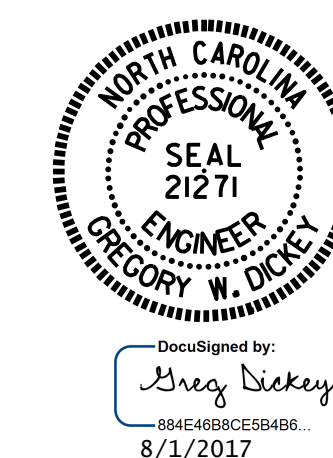
SECTION Y-Y



ELEVATION OF WING W2

PROJECT NO. B-5236
NEW HANOVER COUNTY
 STATION: 15+64.40 -L-

SHEET 2 OF 3



STATE OF NORTH CAROLINA
 DEPARTMENT OF TRANSPORTATION
 RALEIGH
 SUBSTRUCTURE
 INTEGRAL
 END BENT 1

DRAWN BY : B.N.BARODAWALA DATE : 3-20-17
 CHECKED BY : M. K. BEARD DATE : 3-23-17
 DESIGN ENGINEER OF RECORD : A. K. PATEL DATE : 3-23-17

DOCUMENT NOT CONSIDERED
 FINAL UNLESS ALL
 SIGNATURES COMPLETED

REVISIONS						SHEET NO.
NO.	BY:	DATE:	NO.	BY:	DATE:	S-26
1			3			TOTAL SHEETS
2			4			35