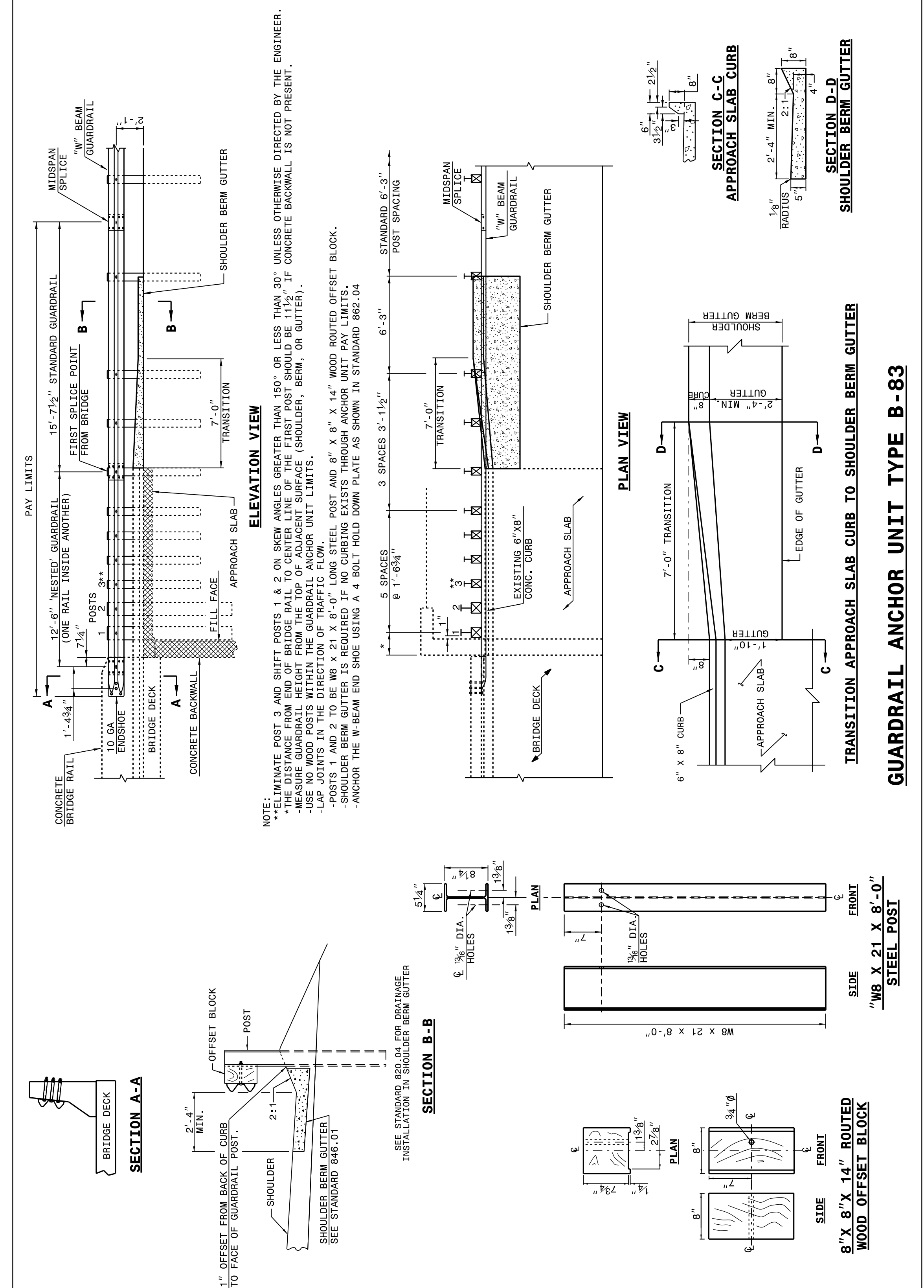


30-MAY-2017 09:23 S:\Contracts\Projects\Special Details\Standard Drawings\Division 8\862d01 862d03 862d03 862d03.dgn Jhowerton AT:CSU-292595

STATE OF NORTH CAROLINA DEPT. OF TRANSPORTATION DIVISION OF HIGHWAYS RALEIGH, N.C.

ROADWAY DETAIL DRAWING FOR STRUCTURE ANCHOR UNITS GUARDRAIL ANCHOR UNIT TYPE B-83

SHEET 6 OF 7 **862D03**



STATE OF NORTH CAROLINA DEPT. OF TRANSPORTATION DIVISION OF HIGHWAYS RALEIGH, N.C.

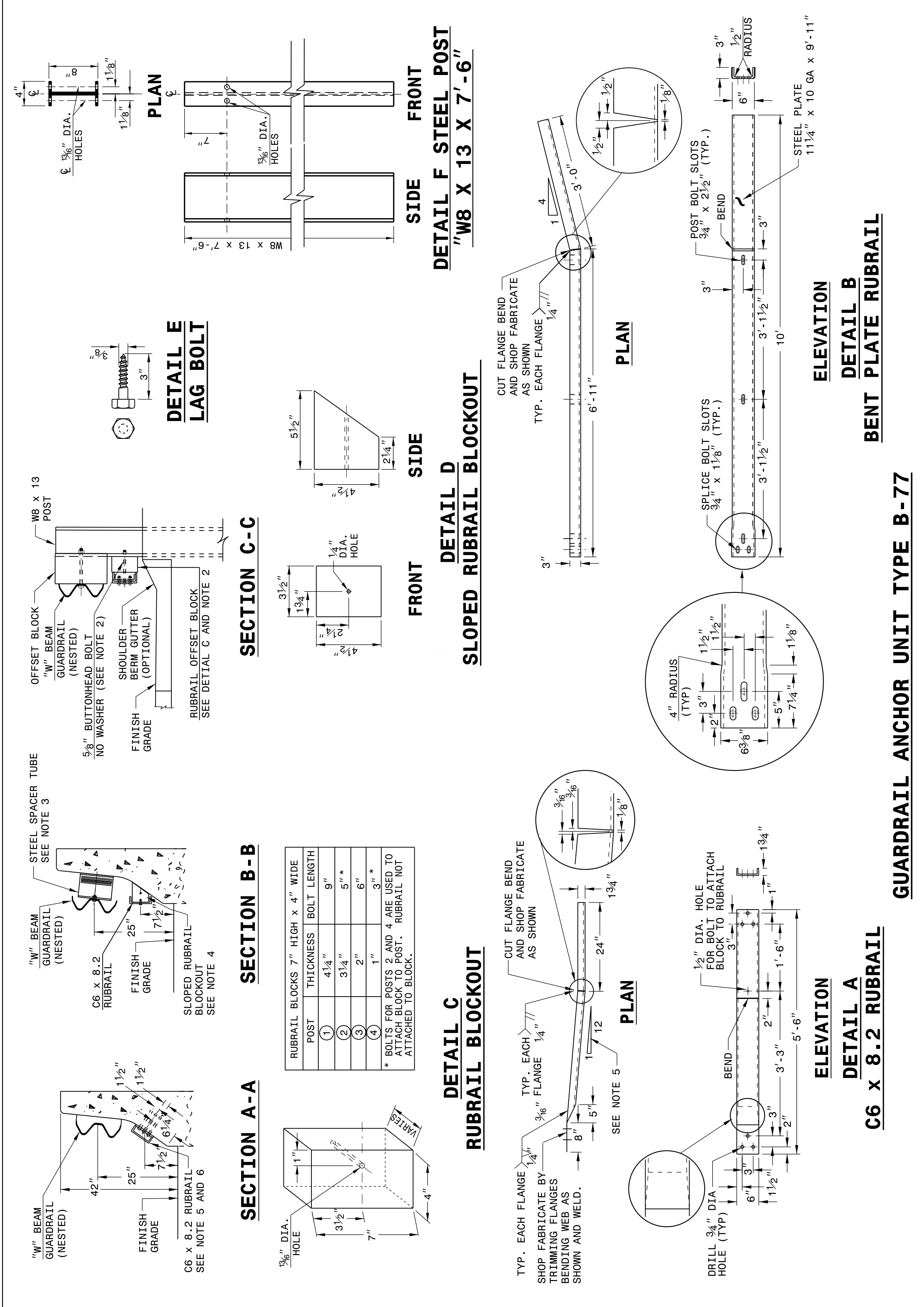
ROADWAY DETAIL DRAWING FOR STRUCTURE ANCHOR UNITS GUARDRAIL ANCHOR UNIT TYPE B-83

SHEET 6 OF 7 **862D03**

STATE OF NORTH CAROLINA DEPT. OF TRANSPORTATION DIVISION OF HIGHWAYS RALEIGH, N.C.

ROADWAY DETAIL DRAWING FOR STRUCTURE ANCHOR UNIT GUARDRAIL ANCHOR UNIT TYPE B-77 FOR F-SHAPE BARRIER

SHEET 5 OF 7 **862D03**



STATE OF NORTH CAROLINA DEPT. OF TRANSPORTATION DIVISION OF HIGHWAYS RALEIGH, N.C.

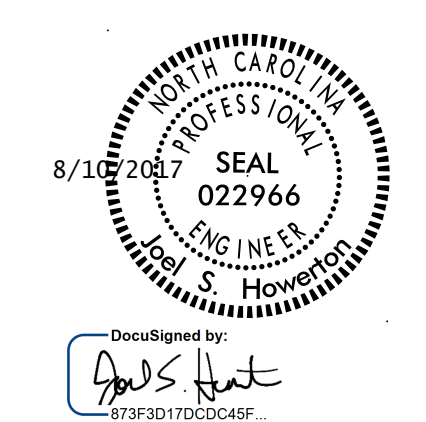
ROADWAY DETAIL DRAWING FOR STRUCTURE ANCHOR UNIT GUARDRAIL ANCHOR UNIT TYPE B-77 FOR F-SHAPE BARRIER

SHEET 5 OF 7 **862D03**

CONTRACT STANDARDS AND DEVELOPMENT UNIT
 Office 919-707-6950 FAX 919-250-4119

SEE TITLE BLOCK

ORIGINAL BY: J HOWERTON DATE: 06-22-12
 MODIFIED BY: DATE:
 CHECKED BY: DATE:
 FILE SPEC.: DATE:



DOCUMENT NOT CONSIDERED FINAL UNLESS ALL SIGNATURES COMPLETED