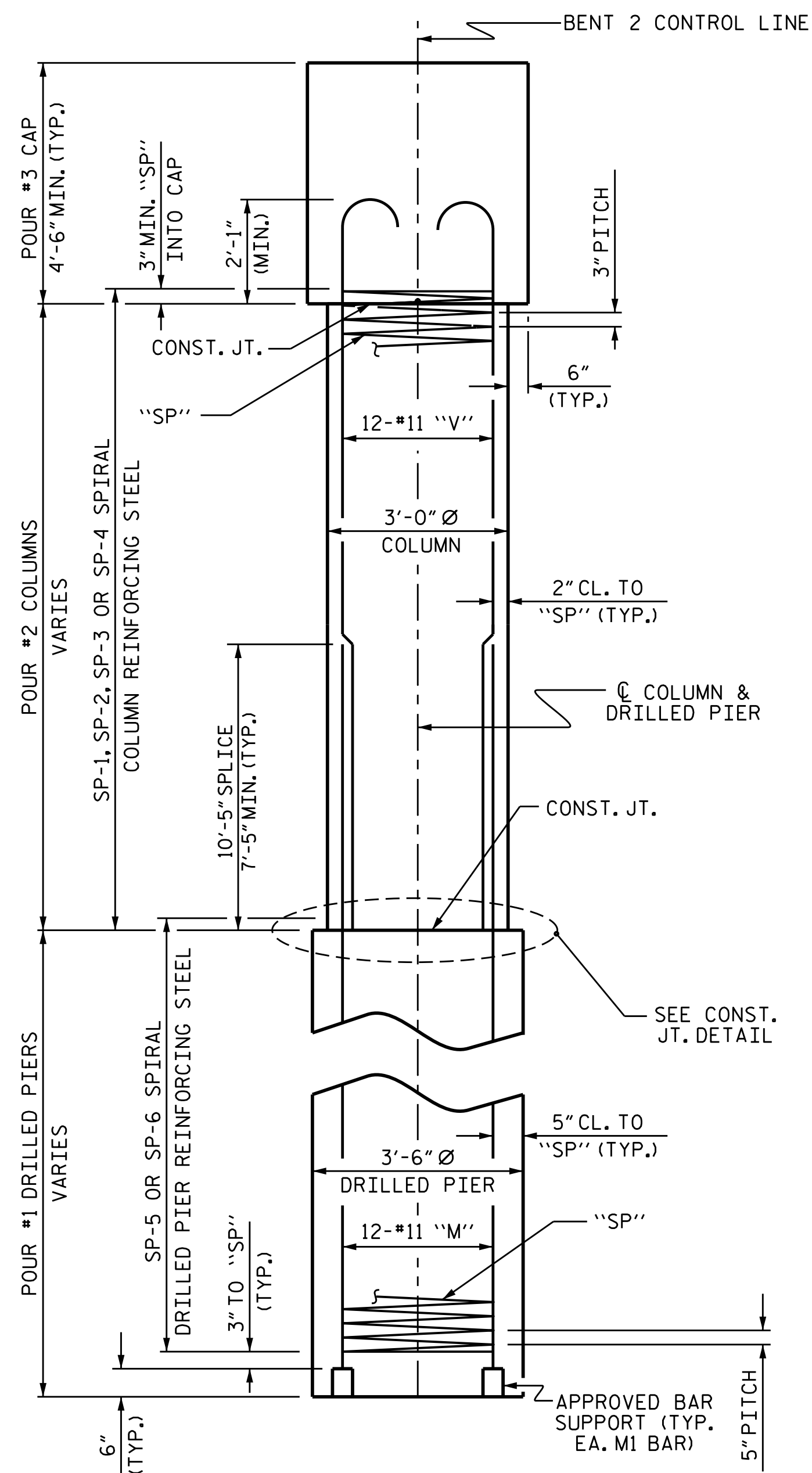
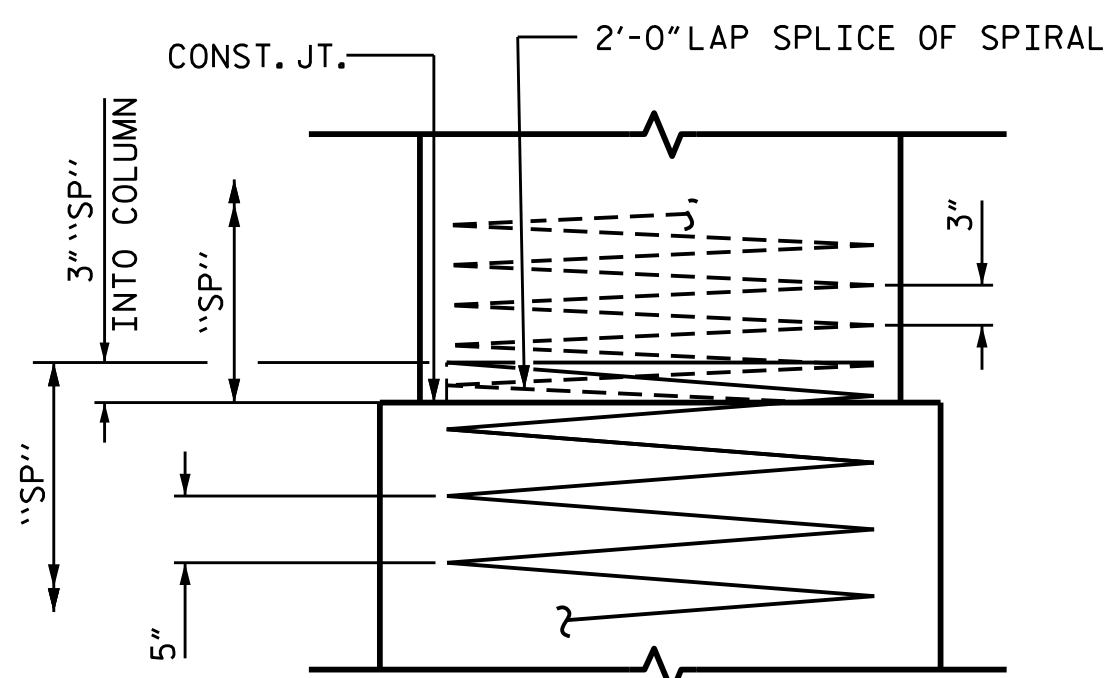


PLAN OF DRILLED PIERS & COLUMNS

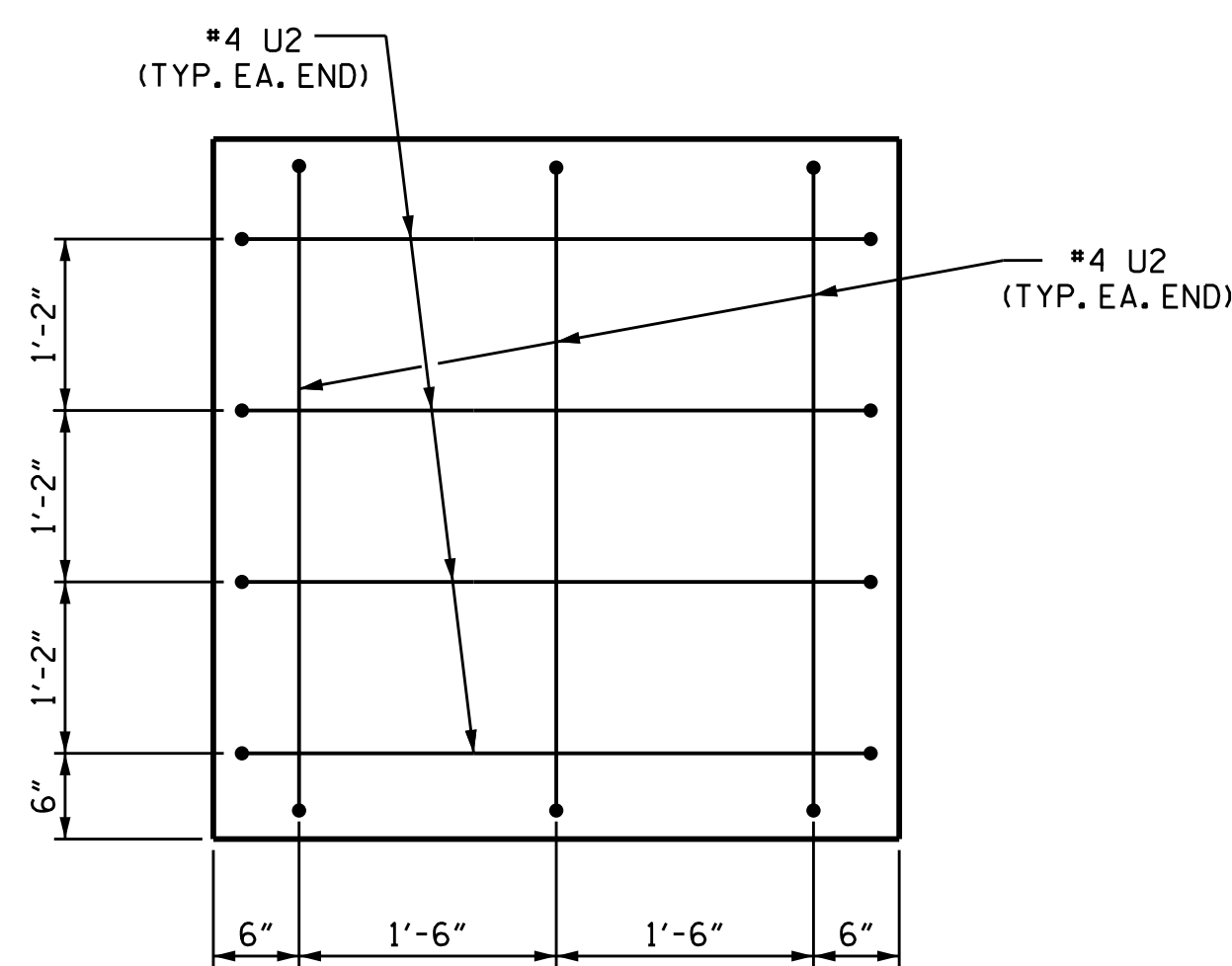
DIMENSIONS AND REINFORCING STEEL ARE TYPICAL FOR EACH COLUMN & DRILLED PIER.



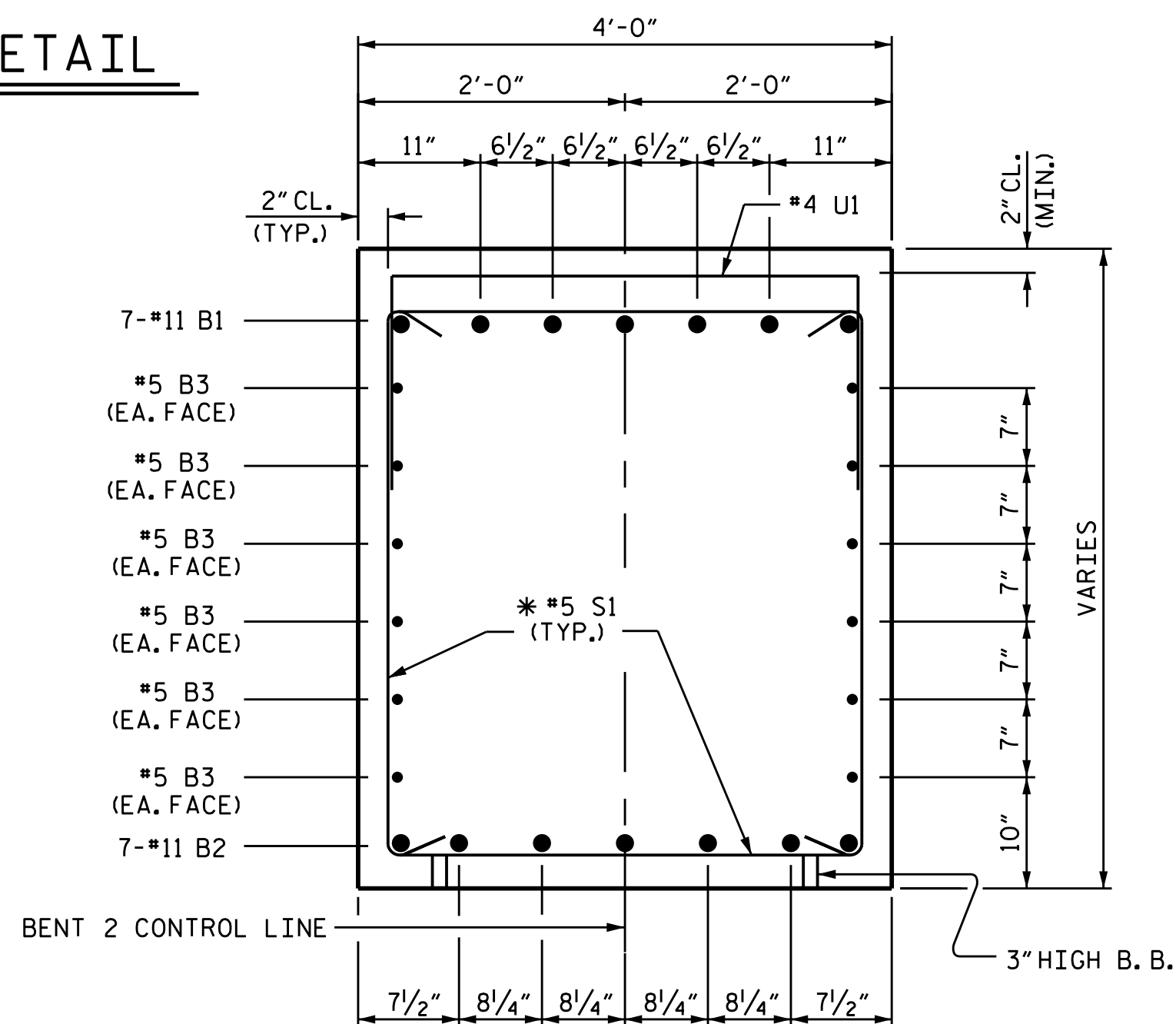
END ELEVATION



CONSTRUCTION JOINT DETAIL

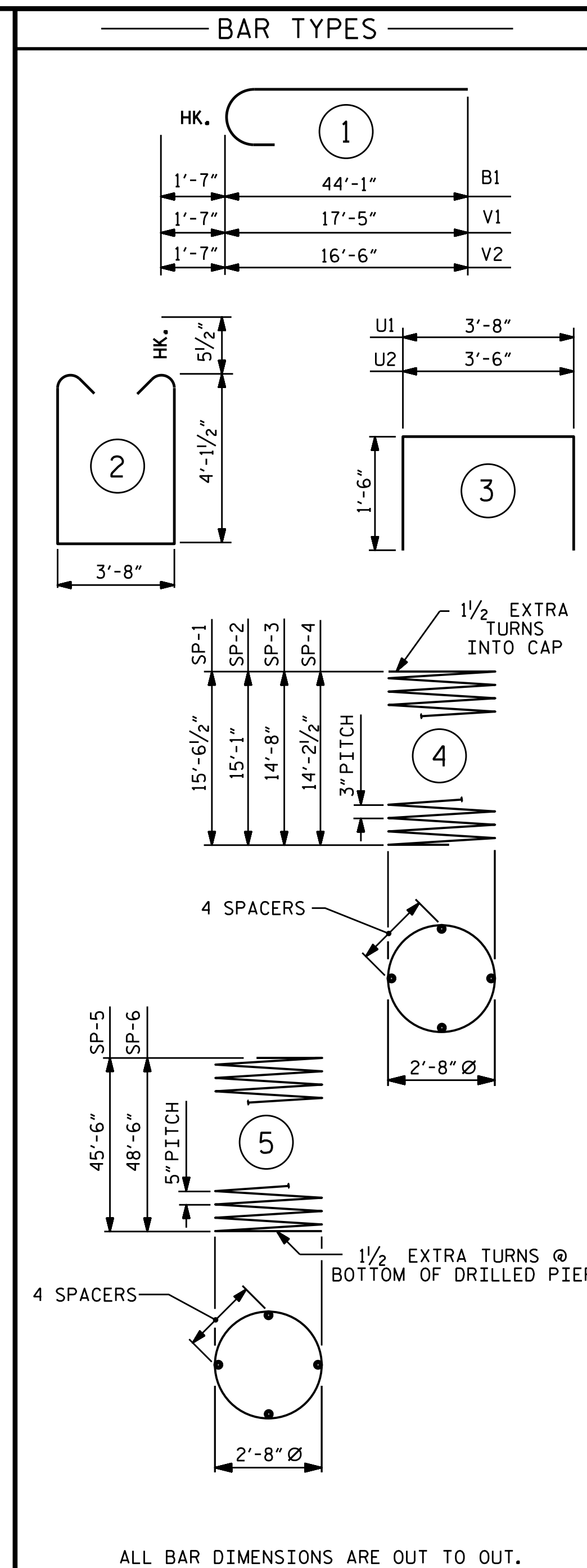


END OF CAP VIEW



SECTION A-A

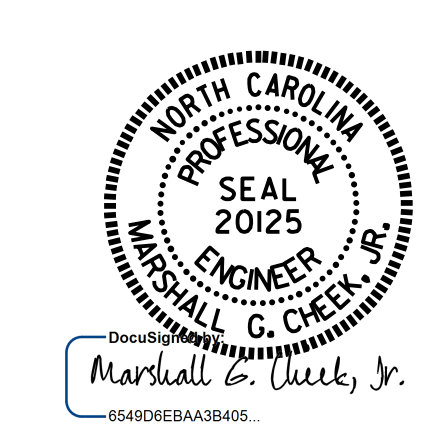
* INVERT ALTERNATE STIRRUPS



BILL OF MATERIAL

BENT 2					
BAR	NO.	SIZE	TYPE	LENGTH	WEIGHT
B1	14	#11		45'-8"	3397
B2	14	#11	STR	42'-3"	3143
B3	24	#5	STR	38'-6"	964
M1	24	#11	STR	56'-2"	7162
M2	24	#11	STR	59'-2"	7544
S1	82	#5	2	12'-10"	1098
U1	81	#4	3	6'-8"	361
U2	14	#4	3	6'-6"	61
V1	24	#11	1	19'-0"	2423
V2	24	#11	1	18'-1"	2306
REINFORCING STEEL					LBS. 28,459
SP-1	1	*	4	526'-0"	351
SP-2	1	*	4	511'-7"	342
SP-3	1	*	4	497'-2"	332
SP-4	1	*	4	482'-8"	322
SP-5	2	**	5	910'-11"	1900
SP-6	2	**	5	970'-6"	2024
SPIRAL COLUMN REINFORCING STEEL					LBS. 5,271
* THE SP-1 THROUGH SP-4 SPIRAL REINFORCING STEEL SHALL BE W20 OR D-20 COLD DRAWN WIRE OR #4 PLAIN OR DEFORMED BAR.					
** THE SP-5 AND SP-6 SPIRAL REINFORCING STEEL SHALL BE W31 OR D-31 COLD DRAWN WIRE OR #5 PLAIN OR DEFORMED BAR.					
CLASS A CONCRETE BREAKDOWN					
POUR #2 (COLUMNS)				C.Y.	15.3
POUR #3 (CAP)				C.Y.	51.5
TOTAL CLASS A CONCRETE				C.Y.	66.8
DRILLED PIER QUANTITIES					
DRILLED PIER CONCRETE					
POUR #1 (DRILLED PIERS)				C.Y.	67.7
3'-6" DRILLED PIERS IN SOIL				LIN. FT.	122.00
3'-6" DRILLED PIERS NOT IN SOIL				LIN. FT.	68.00
PERMANENT STEEL CASING FOR 3'-6" DRILLED PIERS				LIN. FT.	32.00
SPT TESTING					4 EA.
CSL TUBES					LIN. FT. 784.00

PROJECT NO. U-2579C
 FORSYTH COUNTY
 STATION: 473+70.00 -L-
 SHEET 2 OF 2



7/27/2017

DRAWN BY: ARIADNE L. PALMA / TLA DATE: 7-27-16
 CHECKED BY: M.K. BEARD DATE: 9/8/16
 DESIGN ENGINEER OF RECORD: H.A. LOCKLEAR DATE: 6/2017

DOCUMENT NOT CONSIDERED FINAL UNLESS ALL SIGNATURES COMPLETED

REVISIONS						SHEET NO.
NO.	BY:	DATE:	NO.	BY:	DATE:	S4-27
1			3			TOTAL SHEETS 33
2			4			