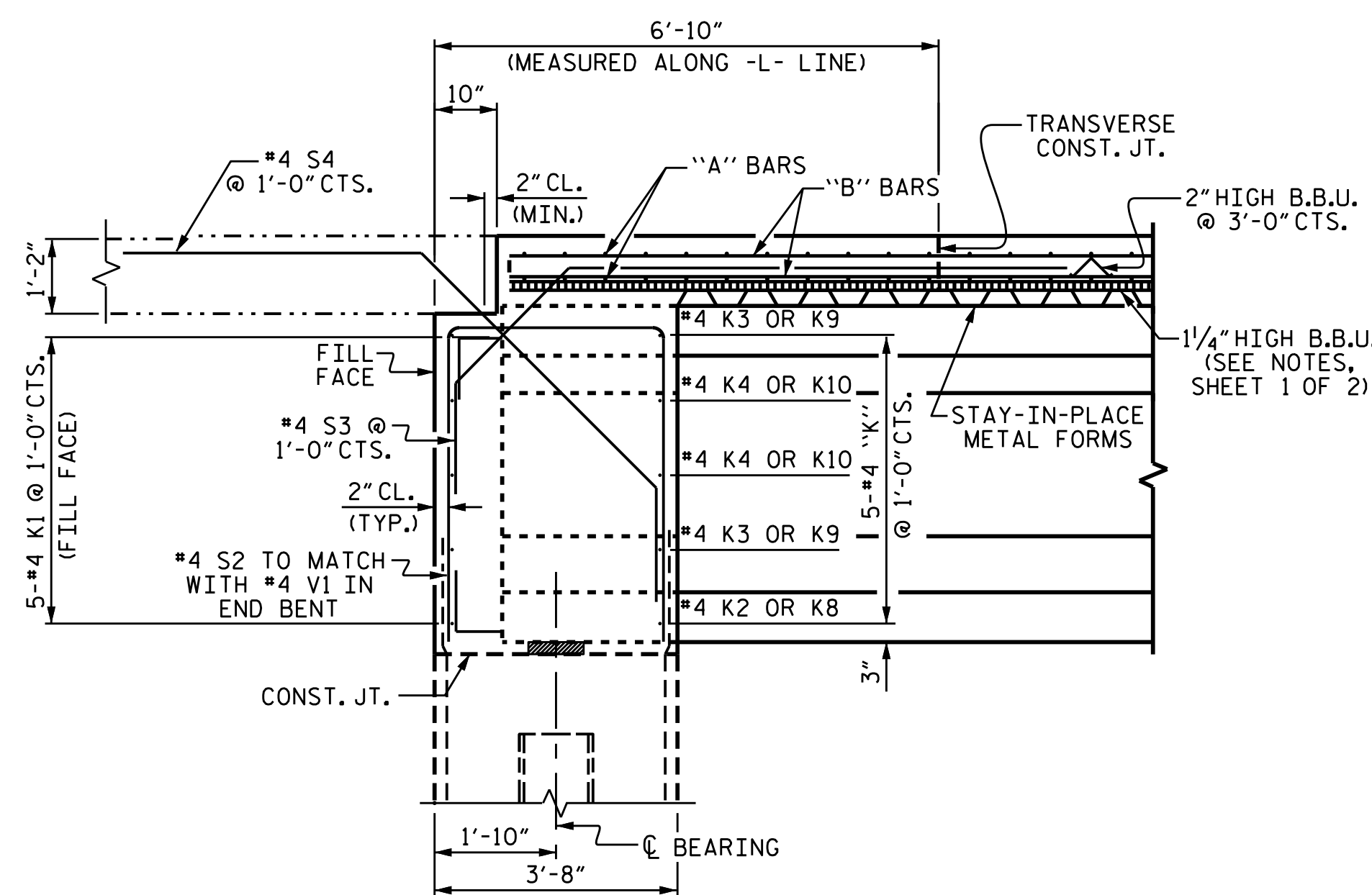
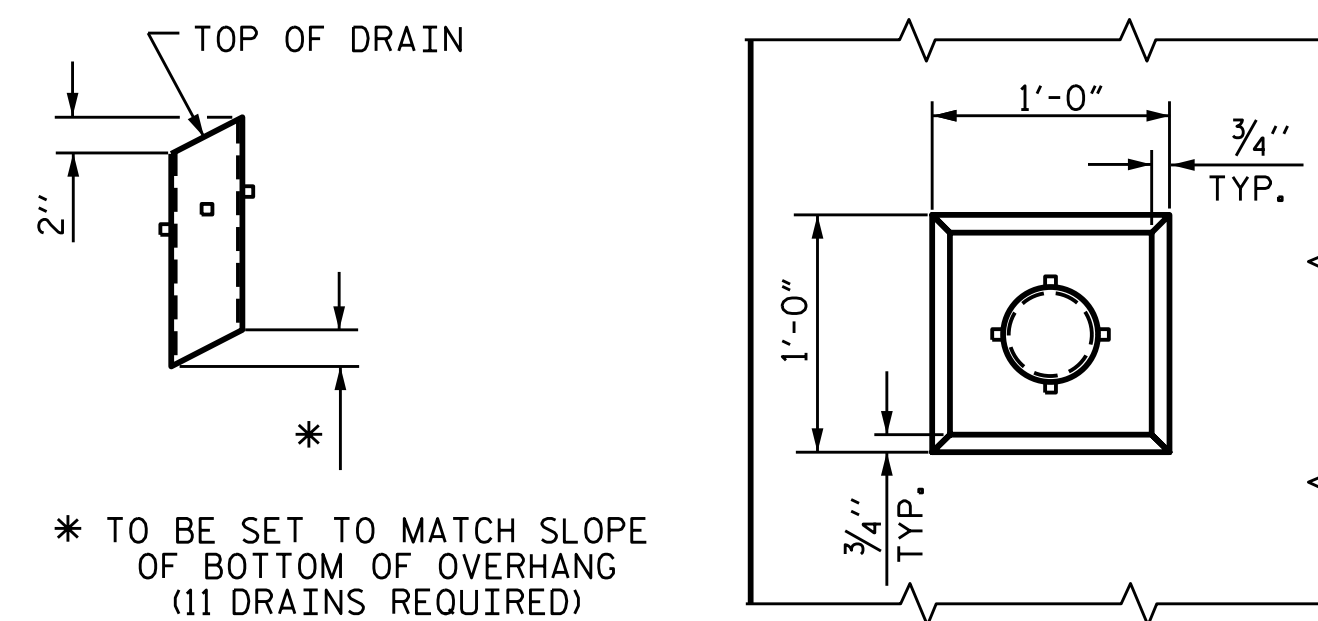


TYPICAL SECTION AT INTEGRAL END BENT



SECTION THROUGH INTEGRAL END BENT



PIPE DETAIL

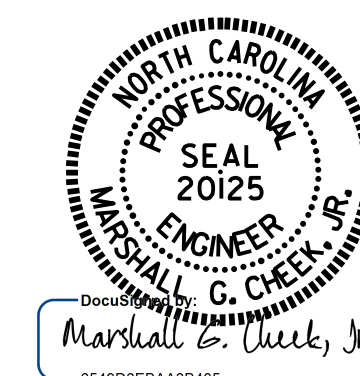
PLAN OF RECESS

TOP OF FLOOR DRAINS TO BE SET 3/8" BELOW SURFACE OF SLAB.
 4 - 1/2" SQUARE LUGS TO BE GLUED TO THE P.V.C. PIPE AT EQUAL SPACES AROUND THE PIPE DRAIN APPROXIMATELY 4" FROM THE TOP OF THE PIPE.
 THE 6" PVC PIPE AND FITTINGS SHALL BE SCHEDULE 40 AND CONFORM TO ASTM D1785.

DRAIN DETAILS

PROJECT NO. U-2579C
 FORSYTH COUNTY
 STATION: 473+70.00 -L-

SHEET 2 OF 2



STATE OF NORTH CAROLINA
 DEPARTMENT OF TRANSPORTATION
 RALEIGH
 SUPERSTRUCTURE
 TYPICAL SECTION
 (RIGHT LANE)

DRAWN BY: J. K. BOWLES DATE: 4/7/16
 CHECKED BY: K. D. LAYNE DATE: 6/15/16
 DESIGN ENGINEER OF RECORD: H. A. LOCKLEAR DATE: 6/2017

DOCUMENT NOT CONSIDERED FINAL UNLESS ALL SIGNATURES COMPLETED

REVISIONS						SHEET NO.	
NO.	BY:	DATE:	NO.	BY:	DATE:	S4-6	
1			3			TOTAL SHEETS	
2			4			33	

STR. #4