

0.6" Ø L. R. GRADE 270 STRANDS

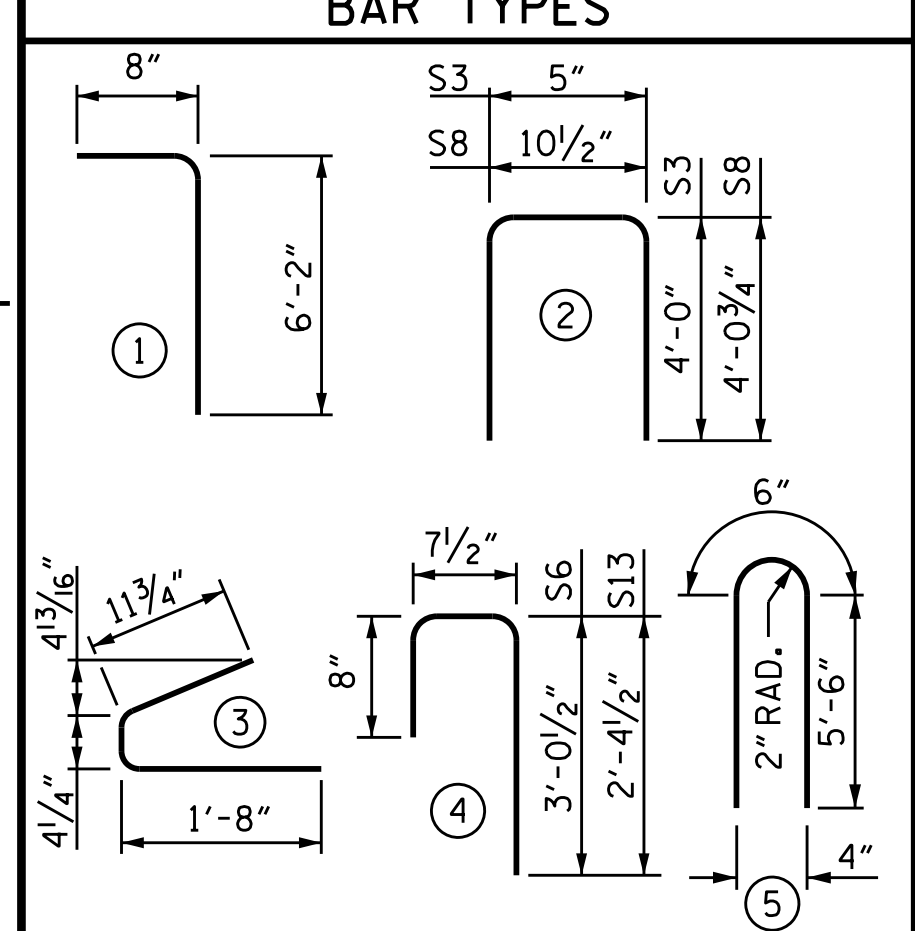
AREA (SQUARE INCHES)	ULTIMATE STRENGTH (LBS. PER STRAND)	APPLIED PRESTRESS (LBS. PER STRAND)
0.217	58,600	43,950

REINFORCING STEEL FOR ONE GDR

BAR	NUMBER	SIZE	TYPE	LENGTH	WEIGHT
S1	156	#4	1	6'-10"	712
S2	32	#5	1	6'-10"	228
S3	14	#4	2	8'-5"	79
S4	92	#4	3	3'-0"	184
S6	186	#5	4	4'-4"	841
* S7	30	#5	STR	3'-8"	115
S8	2	#5	2	9'-0"	19
S9	43	#5	STR	3'-3"	146
S10	2	#3	STR	1'-10"	1
S11	8	#5	5	11'-6"	96
S12	16	#4	STR	8'-8"	86
S13	1	#5	4	3'-8"	4

* NOTE: S7 BARS SHALL BE BENT BEFORE SHIPMENT. HEAT BENDING SHALL NOT BE ALLOWED.

BAR TYPES



ALL BAR DIMENSIONS ARE OUT-TO-OUT.

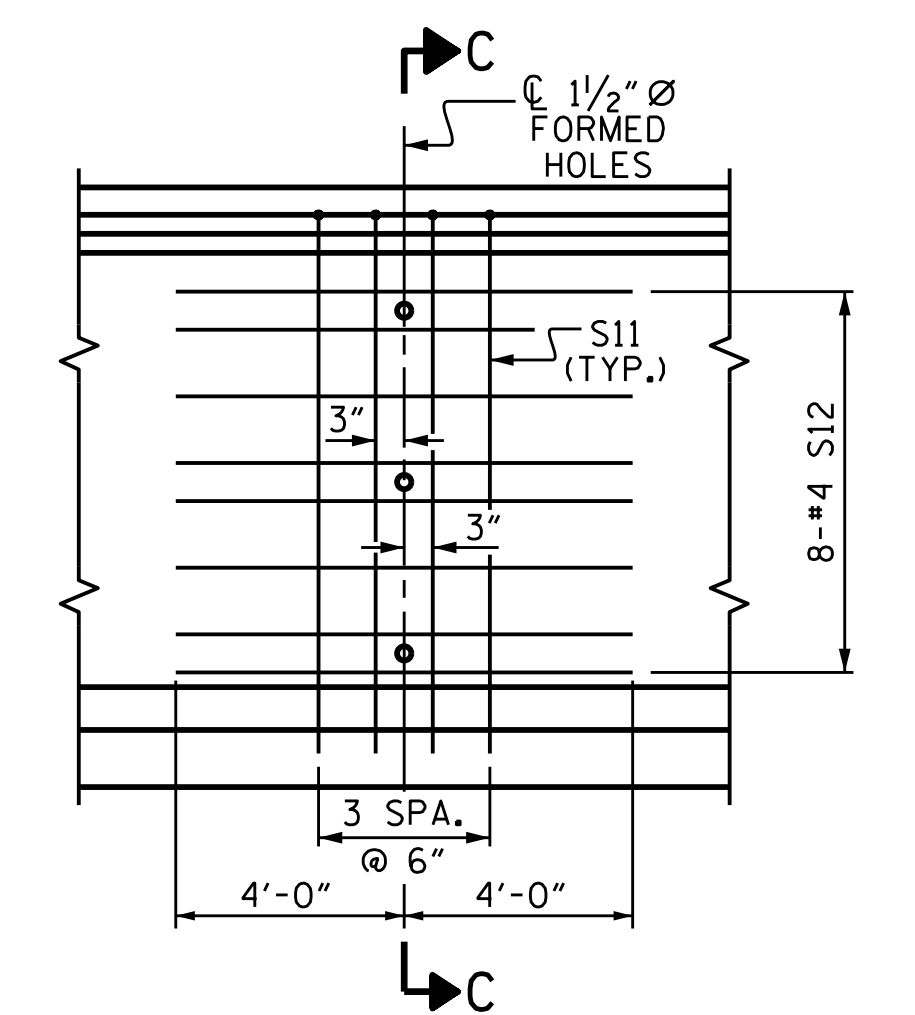
QUANTITIES FOR ONE GIRDER

REINFORCING STEEL	9,500 PSI CONCRETE	0.6" Ø L.R. STRANDS
LBS.	C.Y.	No.
2,511	23.8	46

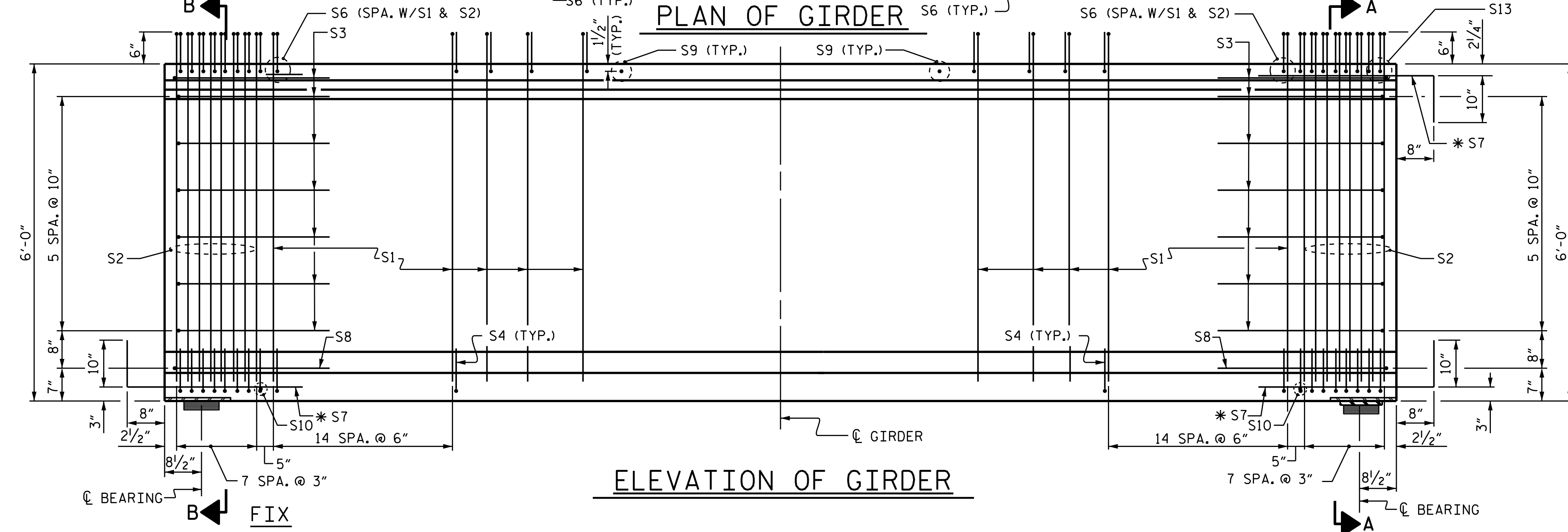
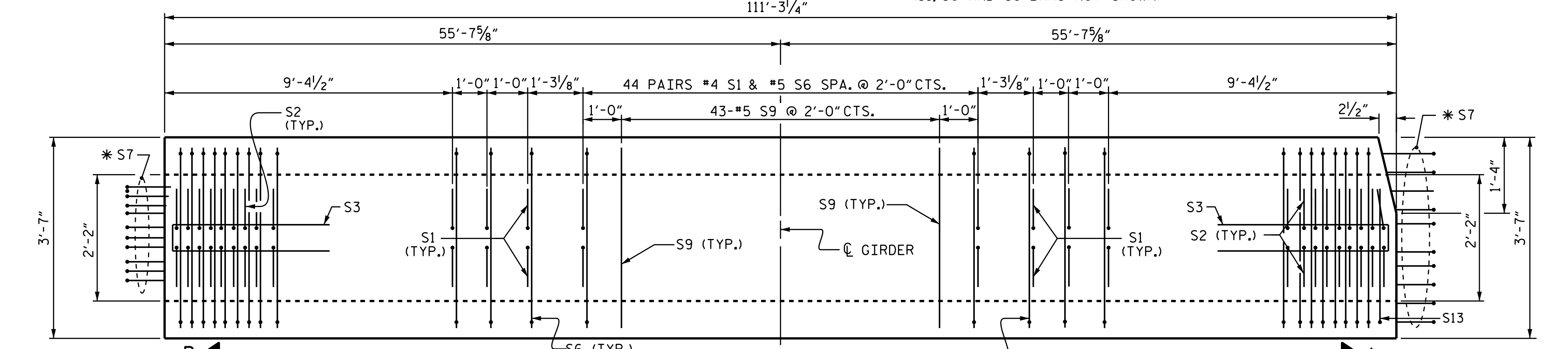
GIRDERS REQUIRED

NUMBER	LENGTH	TOTAL LENGTH
4	111'-3 1/4"	445'-1"

- DEBONDING LEGEND**
- FULLY BONDED STRANDS
 - ◊ STRANDS DEBONDED FOR 10'-0" FROM END OF GIRDER
 - ⊙ STRANDS DEBONDED FOR 12'-0" FROM END OF GIRDER



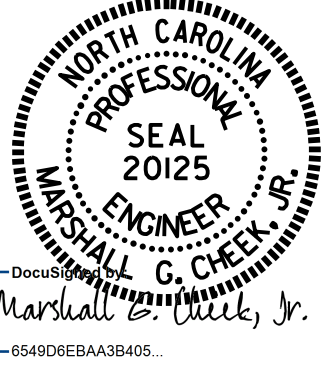
PARTIAL ELEVATION
SHOWING INTERMEDIATE STEEL DIAPHRAGM REINFORCING STEEL FOR SPAN B GIRDERS. (2 LOCATIONS PER GIRDER)



INTEGRAL END BENT

PROJECT NO. U-2579C
FORSYTH COUNTY
STATION: 21+27.27 -Y2-

SHEET 2 OF 3
STATE OF NORTH CAROLINA
DEPARTMENT OF TRANSPORTATION
RALEIGH
STANDARD
72" PRESTRESSED CONCRETE
MODIFIED BULB TEE
CONTINUOUS FOR LIVE LOAD
SPAN B



ASSEMBLED BY: N.D. AIUTO DATE: 1/25/16
CHECKED BY: J.K. BOWLES DATE: 3/31/16

DRAWN BY: EEM 2/6/97 MAA/GM
CHECKED BY: VAP 2/6/97 REV. 6/13 MAA/GM
REV. 1/15 MAA/TMG

DESIGN ENGINEER OF RECORD:
J.K. BOWLES DATE: 3/31/16

DOCUMENT NOT CONSIDERED FINAL UNLESS ALL SIGNATURES COMPLETED

REVISIONS

NO.	BY:	DATE:	NO.	BY:	DATE:
1			3		
2			4		

SHEET NO. S2-11
TOTAL SHEETS 30

STR. #2 STD. NO. PCGB