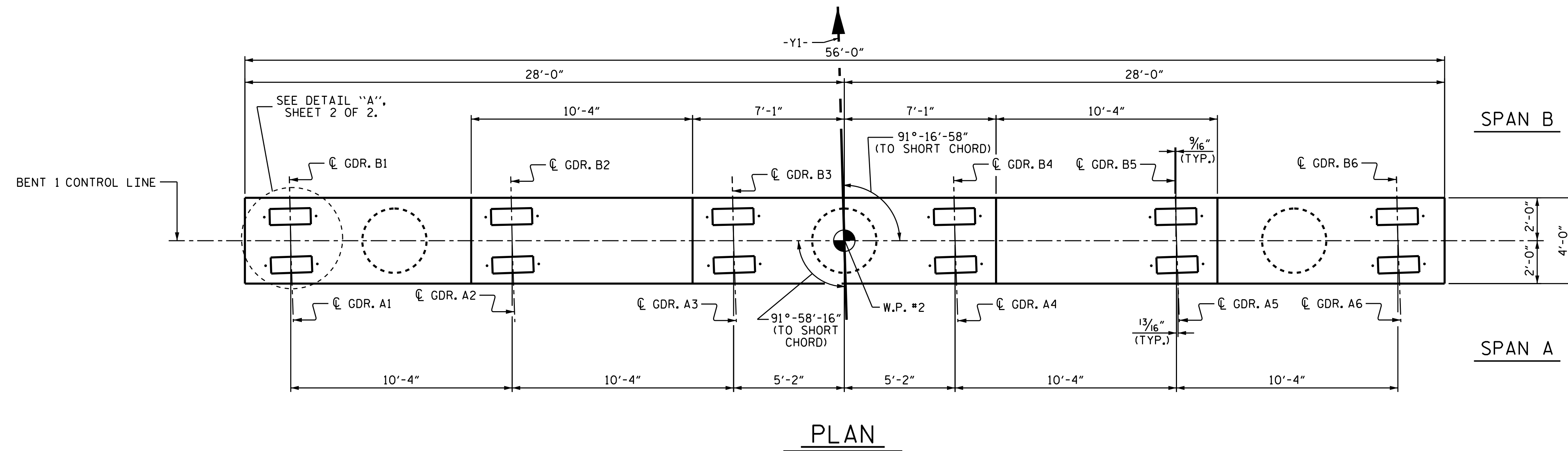
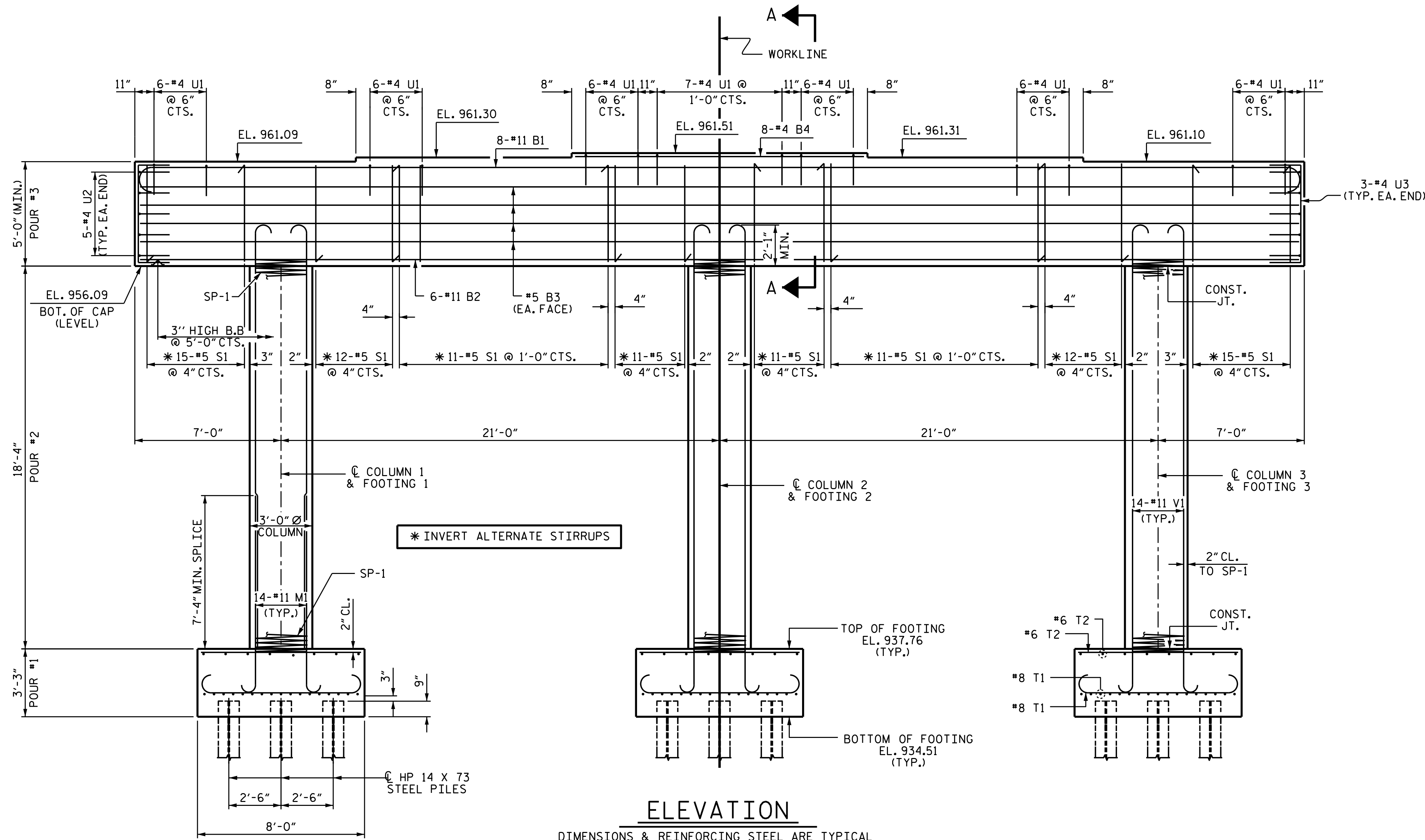


NOTES

STIRRUPS AND "U" BARS IN CAP MAY BE SHIFTED AS NECESSARY TO CLEAR ANCHOR BOLTS.
 HOOKS ON "V" BARS MAY BE TURNED AS NECESSARY FOR PLACING REINFORCING STEEL.

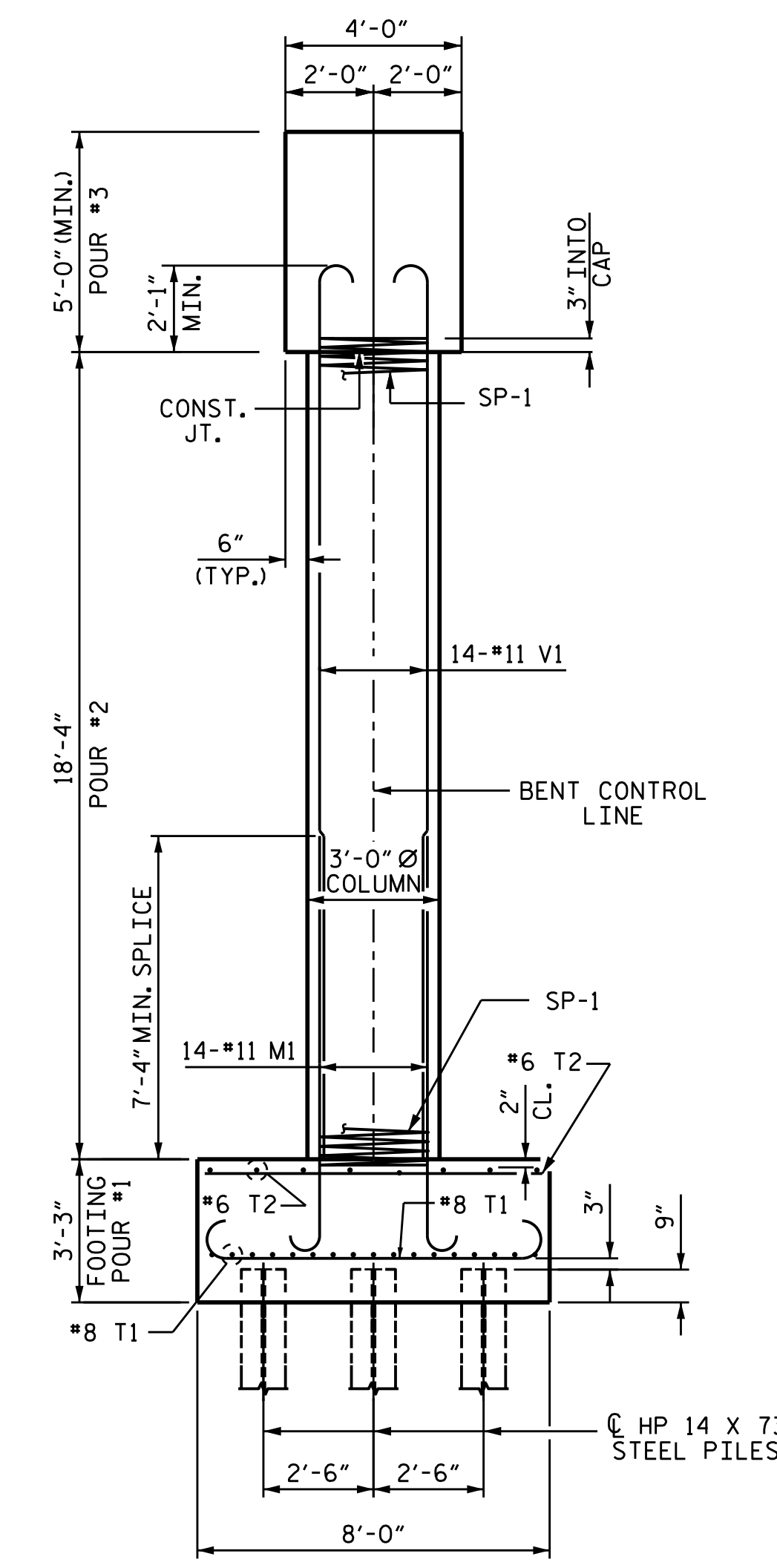


PLAN



ELEVATION

DIMENSIONS & REINFORCING STEEL ARE TYPICAL FOR EACH COLUMN & FOOTING.



END ELEVATION

PROJECT NO. U-2579C
 FORSYTH COUNTY
 STATION: 29+24.97 -L-

SHEET 1 OF 2



STATE OF NORTH CAROLINA
 DEPARTMENT OF TRANSPORTATION
 RALEIGH
 SUBSTRUCTURE
 BENT 1

DRAWN BY : N.D. AIUTO DATE : 4/5/16
 CHECKED BY : K.D. LAYNE DATE : 4/21/16
 DESIGN ENGINEER OF RECORD: H.A. LOCKLEAR DATE : 6/2017

DOCUMENT NOT CONSIDERED FINAL UNLESS ALL SIGNATURES COMPLETED

REVISIONS						SHEET NO.
NO.	BY:	DATE:	NO.	BY:	DATE:	S1-24
1			3			TOTAL SHEETS
2			4			32