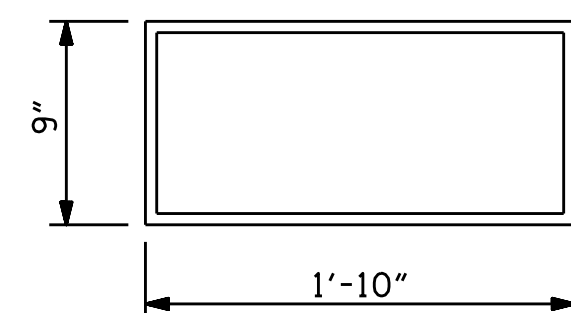
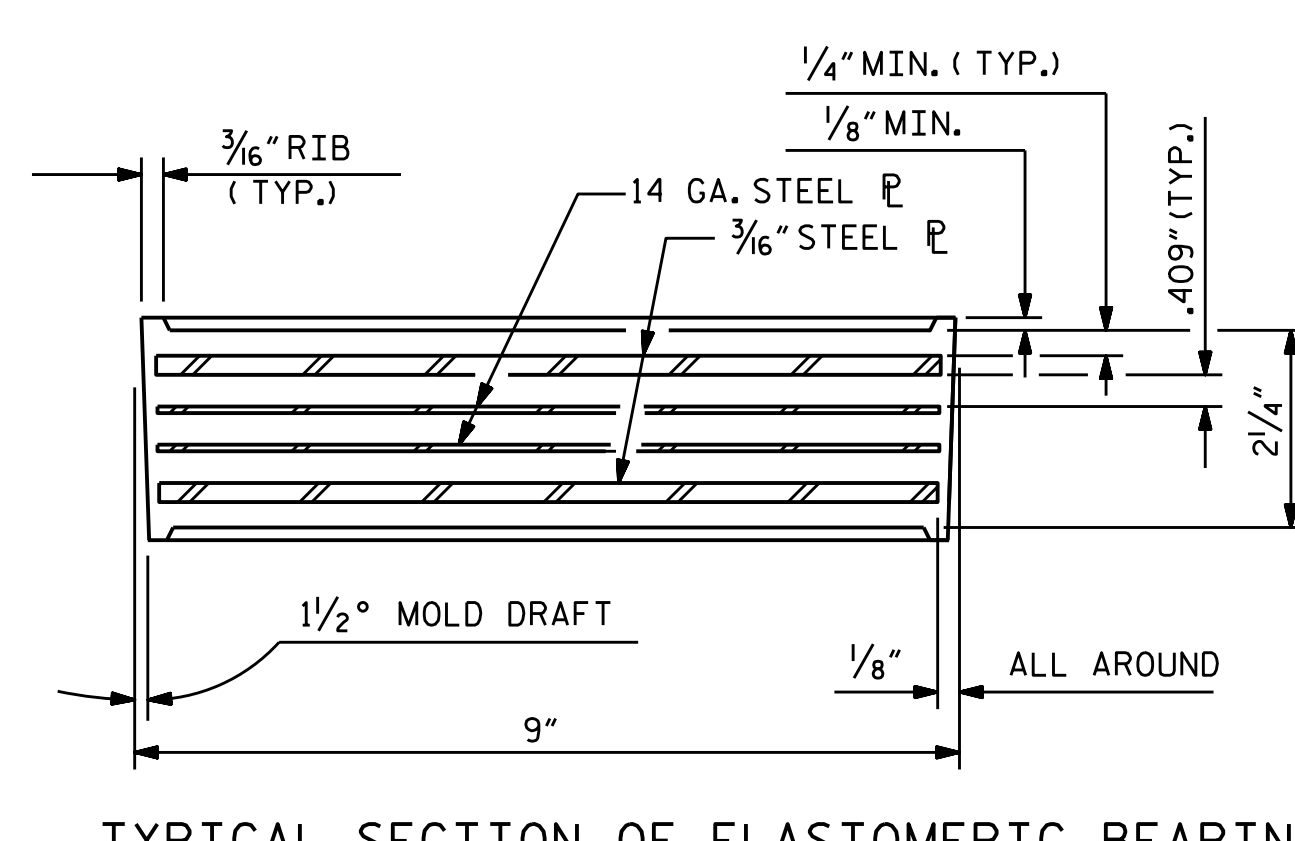


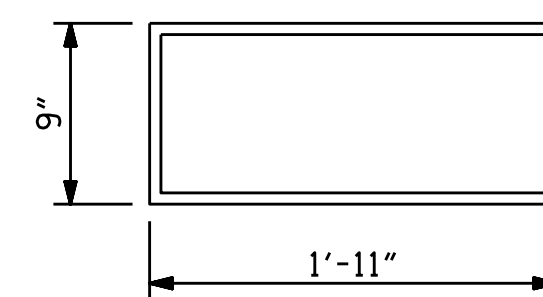
TYPICAL SECTION OF ELASTOMERIC BEARINGS



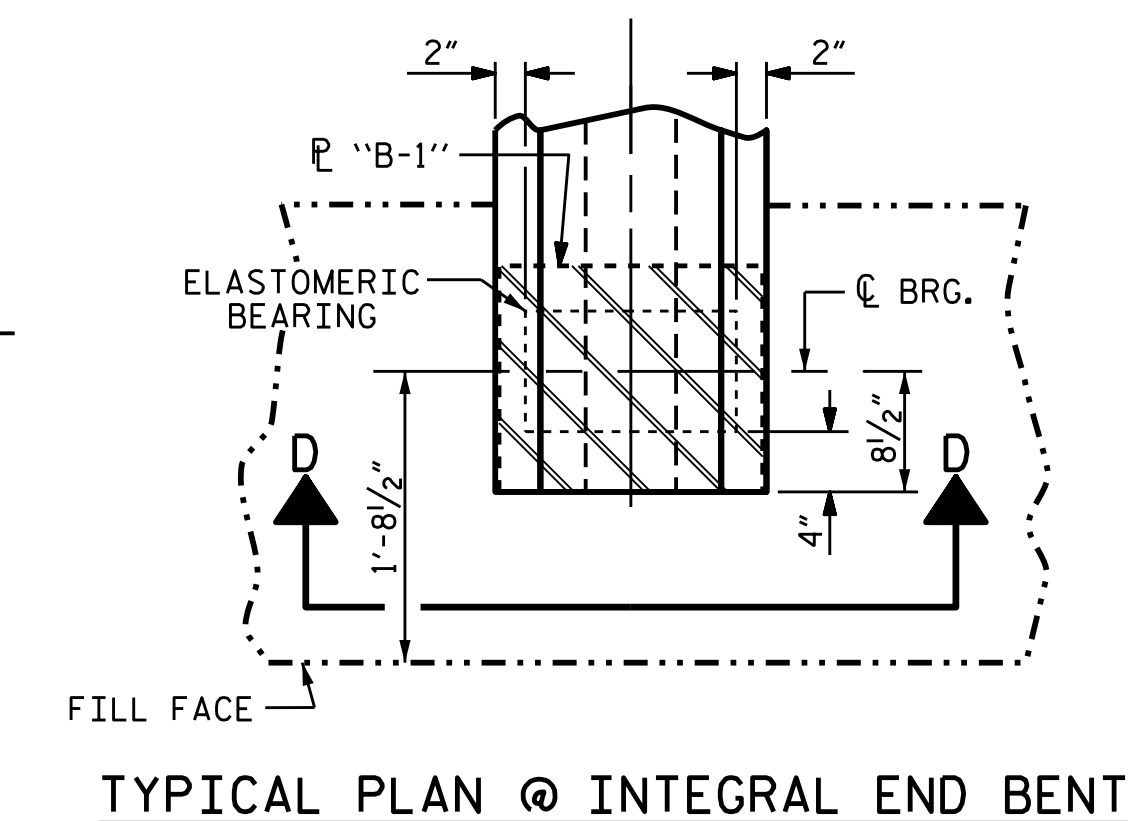
E1 (12 REQ'D)
PLAN VIEW OF ELASTOMERIC BEARING
TYPE IV



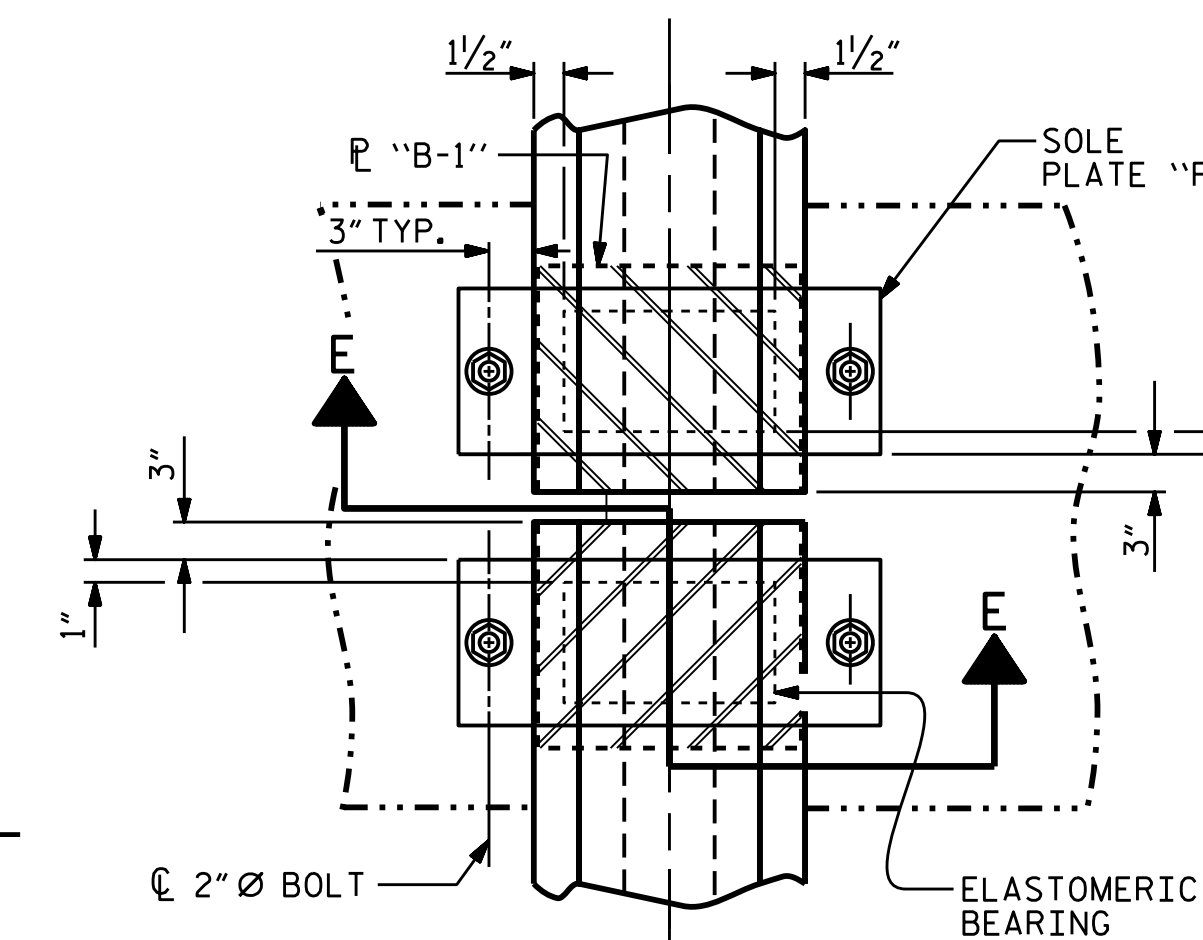
TYPICAL SECTION OF ELASTOMERIC BEARINGS



E2 (12 REQ'D)
PLAN VIEW OF ELASTOMERIC BEARING
TYPE V



TYPICAL PLAN @ INTEGRAL END BENT



TYPICAL PLAN @ BENT



Marshall G. Cheek, Jr.
7/27/2017

7/27/2017

DOCUMENT NOT CONSIDERED
FINAL UNLESS ALL
SIGNATURES COMPLETED

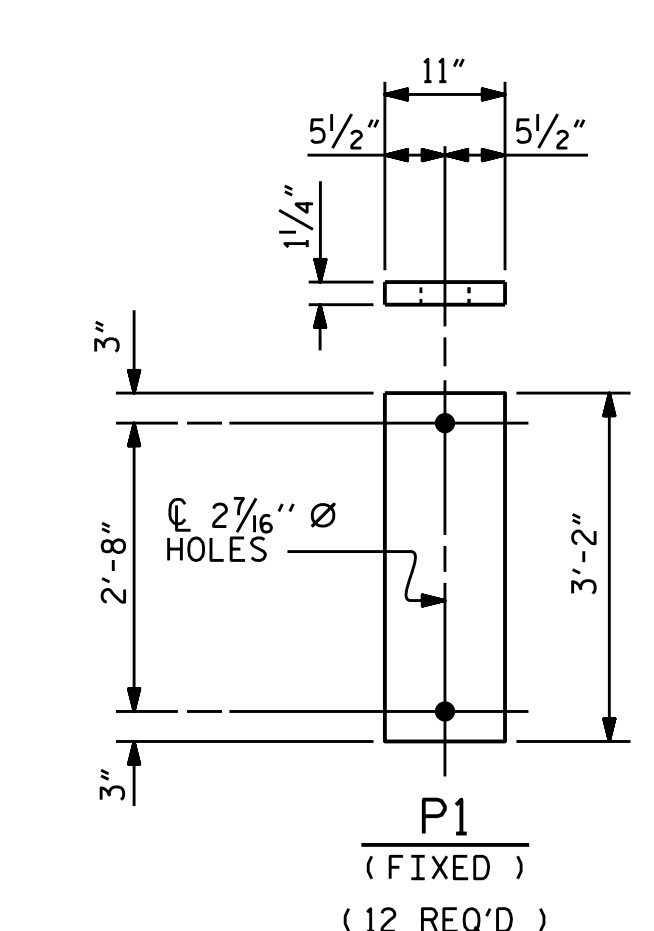
PROJECT NO. U-2579C
FORSYTH COUNTY
STATION: 29+24.97 -Y1-

STATE OF NORTH CAROLINA
DEPARTMENT OF TRANSPORTATION
RALEIGH
STANDARD
ELASTOMERIC BEARING
DETAILS
PRESTRESSED CONCRETE GIRDER
SUPERSTRUCTURE

REVISIONS						SHEET NO.
NO.	BY:	DATE:	NO.	BY:	DATE:	S1-16
1			3			TOTAL SHEETS
2			4			32

STR. #1
STD. NO. EB4

MAXIMUM ALLOWABLE SERVICE LOADS	
D.L.+L.L. (NO IMPACT)	
TYPE IV	225 k
TYPE V	365 k



SOLE PLATE DETAILS

ASSEMBLED BY : J. P. MCCARTHA DATE : 3/8/16
CHECKED BY : H.A. LOCKLEAR DATE : 8/26/16
DRAWN BY : EEM 2/97 REV. 10/1/11 MAA/GM
CHECKED BY : VAP 2/97 REV. 6/13 AAC/MAA
REV. 1/15 MAA/TMG