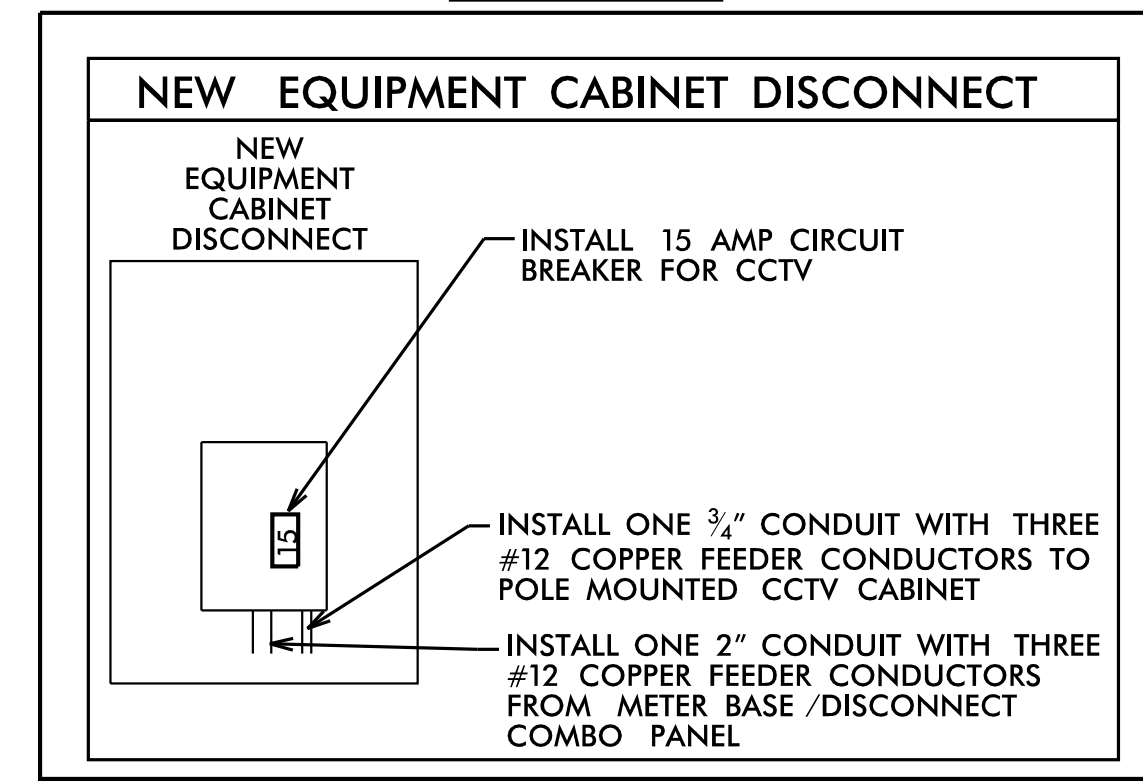


- NOTES:**
1. MAINTAIN A MINIMUM OF SIX (6) FEET FROM THE EDGE OF PAVEMENT WHEN TRENCHING PARALLEL TO THE ROADWAY.
 2. THE FINAL LOCATION OF CCTV AND DMS MUST BE FIELD VERIFIED BY THE NCDOT REGIONAL ITS ENGINEER PRIOR TO INSTALLATION.
 3. MOUNT CCTV CAMERA 45' ABOVE GRADE.
 4. INSTALL NEW FIELD EQUIPMENT CABINET ON NEW CCTV METAL POLE.
 5. INSTALL NEW DMS, WALKWAY, LADDER AND POLE MOUNTED CABINET ON NEW DMS STRUCTURE.
 6. INSTALL NEW GROUNDING SYSTEM AS SHOWN ON ITS-20 AND ITS-21 AND AS DESCRIBED IN THE PROJECT SPECIAL PROVISIONS.
 7. ELECTRICAL SERVICE DETAILS AND CONSTRUCTION METHODS DEPICT CONDITIONS AT THE TIME OF DESIGN. CONTRACTOR TO VERIFY ACTUAL CONDITIONS AT THE TIME OF CONSTRUCTION AND OBTAIN APPROVAL FROM THE ENGINEER PRIOR TO MAKING ANY CHANGES.
 8. INSTALL 6" x 6" WOOD PEDESTAL 10' FROM EXISTING DUKE ENERGY POWER POLE.
 9. INSTALL CONDUITS FOR FEEDER CONDUCTORS AND FIBER OPTIC CABLE IN SAME BORE AND/OR TRENCH. USE SEPERATE CONDUITS AND JUNCTION BOXES FOR POWER AND COMMUNICATIONS.
 10. COORDINATE WITH THE REGIONAL ITS ENGINEER TO CONTACT DUKE ENERGY REPRESENTATIVE IN ORDER TO OBTAIN POWER TO NEW ELECTRICAL SERVICE.
 11. SEE ROADWAY PLANS FOR GUARDRAIL INSTALLATION AT DMS LOCATIONS.



Plans Prepared For: **WINSTON-SALEN NORTHERN BELTWAY ITS DEVICE AND COMMUNICATIONS COMMUNICATIONS CABLE AND CONDUIT ROUTING PLAN**

Kimley Horn
 NC License #F-0102
 421 Fayetteville St., Suite 600
 Raleigh, NC 27636
 Tel: (919) 677-2000
 Fax: (919) 677-2050

Division 09 FORSYTH COUNTY
 PLAN DATE: MAY 2017 REVIEWED BY: I. VAN OSDELL
 PREPARED BY: J. CROSS REVIEWED BY: K. SMITH

SEAL: KEVIN W. SMITH, PROFESSIONAL ENGINEER, SEAL 030472

DATE: 5/3/2017

5/1/2017 K:\ARL\TPTD\ITS\01036384 - U-2579C ITS\Plans\U2579c_Its_pshb.dgn