

- 1 INSTALL 3-WIRE COPPER SERVICE ENTRANCE CONDUCTORS
- 2 INSTALL 4-WIRE COPPER FEEDER CONDUCTORS
- 3 INSTALL 3-WIRE COPPER FEEDER CONDUCTORS
- 4 INSTALL SMFO CABLE
- 5 INSTALL MMFO CABLE
- 6 INSTALL FIBER OPTIC DROP CABLE
- 7 INSTALL TRACER WIRE
- 8 TRENCH OR PLOW
- 9 INSTALL PVC CONDUIT
- 10 INSTALL RIGID, GALVANIZED STEEL CONDUIT
- 11 INSTALL RIGID, GALVANIZED STEEL RISER WITH WEATHERHEAD
- 12 INSTALL RIGID, GALVANIZED STEEL RISER WITH FIBER OPTIC CABLE SEAL
- 13 INSTALL OUTER-DUCT POLYETHYLENE CONDUIT
- 14 INSTALL POLYETHYLENE CONDUIT
- 15 DIRECTIONAL DRILL CONDUIT
- 16 BORE AND JACK CONDUIT
- 17 INSTALL CABLE(S) IN EXISTING CONDUIT
- 18 INSTALL CABLE(S) IN NEW CONDUIT
- 19 INSTALL CABLE(S) IN EXISTING RISER
- 20 INSTALL CABLE(S) IN NEW RISER
- 21 INSTALL CABLE(S) IN EXISTING CONDUIT STUB-OUTS
- 22 INSTALL NEW CONDUIT INTO EXISTING CABINET BASE (USE EXISTING CONDUIT STUB-OUTS WHEN AVAILABLE)
- 23 INSTALL NEW RISER INTO EXISTING CABINET BASE (USE EXISTING CONDUIT STUB-OUTS WHEN AVAILABLE)
- 24 INSTALL NEW CONDUIT INTO NEW POLE MOUNTED CABINET
- 25 INSTALL NEW RISER INTO EXISTING POLE MOUNTED CABINET
- 26 INSTALL ETHERNET EDGE SWITCH IN CABINET
- 27 INSTALL NEW TELEMETRY INTERFACE PANEL IN TRAFFIC SIGNAL CONTROLLER CABINET
- 28 INSTALL INTERCONNECT CENTER, PATCH PANEL, JUMPERS AND FUSION SPLICE CABLE IN CABINET
- 29 INSTALL UNDERGROUND SPLICE ENCLOSURE
- 30 MODIFY EXISTING SPLICE ENCLOSURE
- 31 INSTALL POLE MOUNTED SPLICE CABINET
- 32 INSTALL BASE MOUNTED SPLICE CABINET
- 33 REMOVE EXISTING SPLICE CABINET

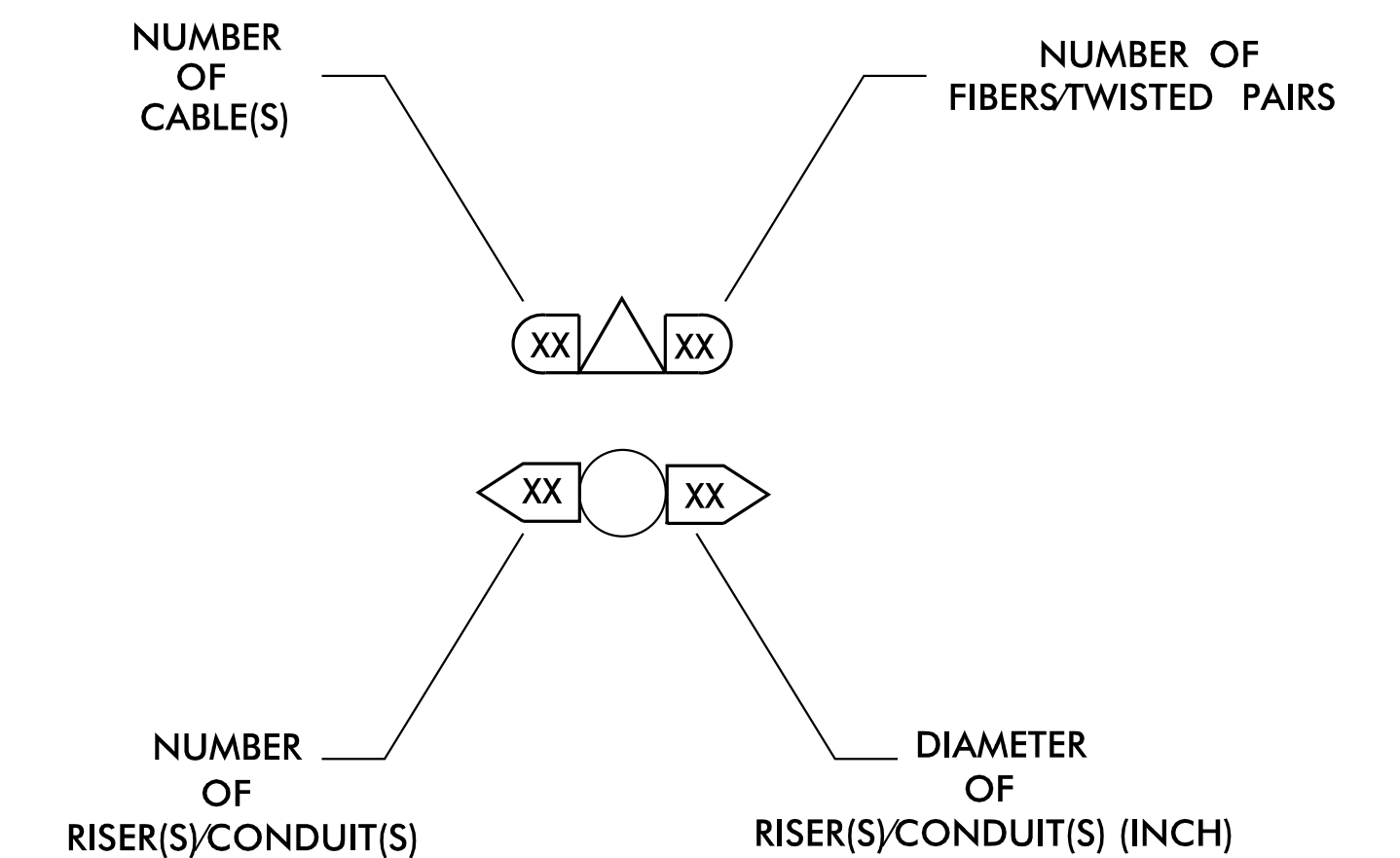
- 34 INSTALL CABINET FOUNDATION
- 35 REMOVE EXISTING CABINET FOUNDATION
- 36 INSTALL CCTV CAMERA ASSEMBLY
- 37 INSTALL CCTV CAMERA WOOD POLE
- 38 INSTALL CCTV CAMERA METAL POLE AND FOUNDATION
- 39 INSTALL JUNCTION BOX
- 40 INSTALL OVERSIZED JUNCTION BOX
- 41 INSTALL SPECIAL OVERSIZED JUNCTION BOX
- 42 INSTALL WOOD POLE
- 43 INSTALL 6" x 6" WOOD PEDESTAL
- 44 INSTALL AERIAL GUY ASSEMBLY
- 45 INSTALL STANDARD GUY ASSEMBLY
- 46 INSTALL SIDEWALK GUY ASSEMBLY
- 47 INSTALL MESSENGER CABLE
- 48 REMOVE EXISTING COMMUNICATIONS AND MESSENGER CABLE
- 49 REMOVE EXISTING MESSENGER CABLE
- 50 INSTALL DIGITAL VIDEO ENCODER
- 51 INSTALL CABLE STORAGE RACKS (SNOW SHOES) AND STORE 100 FEET OF CABLE
- 52 INSTALL DELINEATOR MARKER
- 53 STORE 20 FEET OF COMMUNICATIONS CABLE
- 54 LASH CABLE(S) TO EXISTING SIGNAL/COMMUNICATIONS CABLE
- 55 LASH CABLE(S) TO EXISTING MESSENGER CABLE
- 56 LASH CABLE(S) TO NEW MESSENGER CABLE
- 57 MODIFY EXISTING ELECTRICAL SERVICE
- 58 INSTALL NEW ELECTRICAL SERVICE
- 59 INSTALL PEDESTAL TYPE SIGN STRUCTURE FOUNDATION AND DMS ASSEMBLY
- 60 INSTALL DISCONNECT ON CCTV POLE OR DMS STRUCTURE

### LEGEND

<p><b>PROPOSED</b></p> <p>FO ——— OVERHEAD FIBER OPTIC CABLE</p> <p>----- TRENCHED CONDUIT</p> <p>DD ——— DIRECTIONAL DRILLED CONDUIT</p> <p>○ WOOD POLE</p> <p>◻ METAL POLE</p> <p>← STANDARD GUY ASSEMBLY</p> <p>◻ JUNCTION BOX</p> <p>⊗ EQUIPMENT CABINET</p> <p>Ⓢ SPLICE ENCLOSURE</p> <p>Ⓢ SPLICE CABINET</p> <p>◻ CCTV CAMERA ASSEMBLY</p> <p>◻ DMS SIGN ASSEMBLY</p> <p>◻ ELECTRICAL SERVICE</p> <p>Ⓢ XX-XXXX CCTV CAMERA /DMS NUMBER</p>	<p><b>EXISTING</b></p> <p>EXI ———</p> <p>-----</p> <p>NA</p> <p>● WOOD POLE</p> <p>◻ METAL POLE</p> <p>← STANDARD GUY ASSEMBLY</p> <p>◻ JUNCTION BOX</p> <p>⊗ EQUIPMENT CABINET</p> <p>Ⓢ SPLICE ENCLOSURE</p> <p>Ⓢ SPLICE CABINET</p> <p>◻ CCTV CAMERA ASSEMBLY</p> <p>◻ DMS SIGN ASSEMBLY</p> <p>◻ ELECTRICAL SERVICE</p> <p>Ⓢ XX-XXXX</p>
--	---

### CONSTRUCTION NOTE SYMBOLOGY KEY

- Ⓢ XX INDICATES NUMBER OF CABLES, LOOPS, ETC.
- Ⓢ XX INDICATES NUMBER OF FIBERS PER CABLE, TWISTED PAIRS PER CABLE, ETC.
- ◻ XX INDICATES NUMBER OF RISER(S)/CONDUIT(S)
- ◻ XX INDICATES DIAMETER OF RISER(S)/CONDUIT(S) (INCH)



	<p><b>WINSTON-SALEN NORTHERN BELTWAY ITS DEVICE AND COMMUNICATIONS CONSTRUCTION NOTES</b></p> <p>DIVISION 09 FORSYTH COUNTY</p> <p>PLAN DATE: MAY 2017 REVIEWED BY: I. VAN OSDELL</p> <p>PREPARED BY: J. CROSS REVIEWED BY: K. SMITH</p>	<p>SEAL</p>
<p>Kimley»Horn</p> <p>NC License #F-0102 421 Fayetteville St., Suite 600 Raleigh, NC 27636 Tel: (919) 677-2000 Fax: (919) 677-2050</p>	<p>SCALE</p> <p>0</p>	<p>DocuSigned By: Kevin W. Smith</p> <p>5/3/2017</p> <p>SIGNATURE DATE</p> <p>CADD Filename:</p>