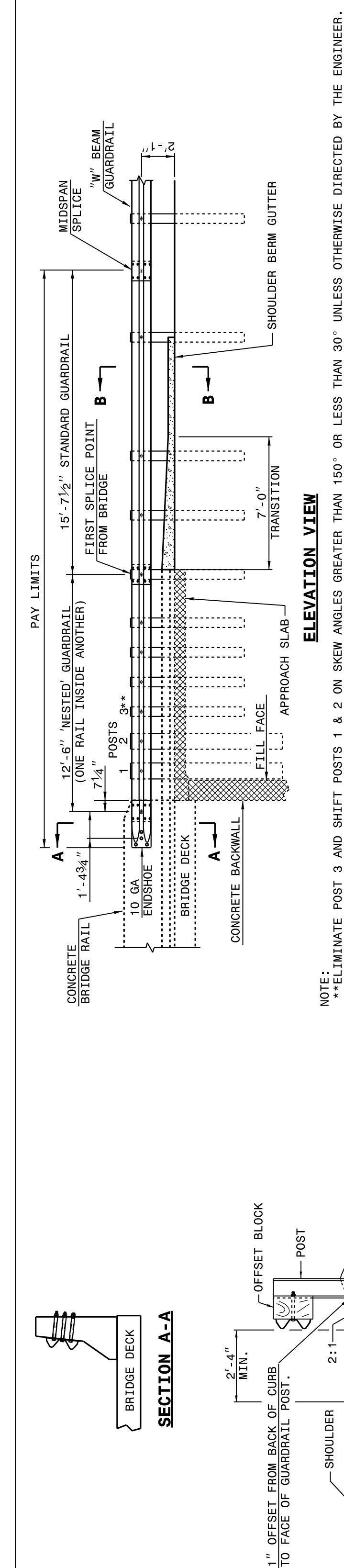
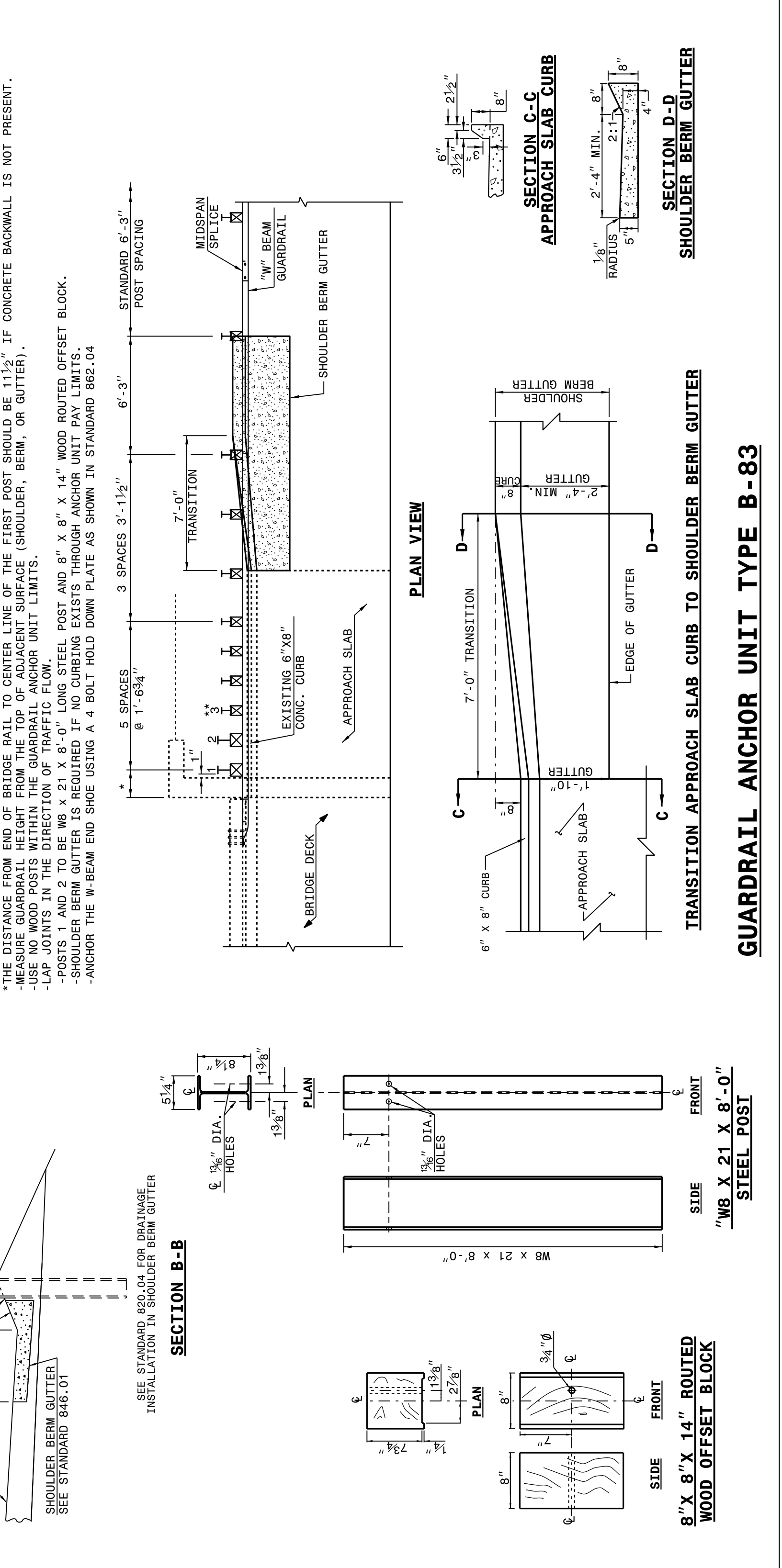


I:\JUN-2017 12453 S:\Contracts\Special Details\Standard Drawings\2012 Standard Drawings\Division 8\862d01 862d03 862d03 862d03.dgn
J:\Howerton AT_CSD-292595

STATE OF NORTH CAROLINA DEPT. OF TRANSPORTATION DIVISION OF HIGHWAYS RALEIGH, N.C.



ROADWAY DETAIL DRAWING FOR STRUCTURE ANCHOR UNITS GUARDRAIL ANCHOR UNIT TYPE B-83



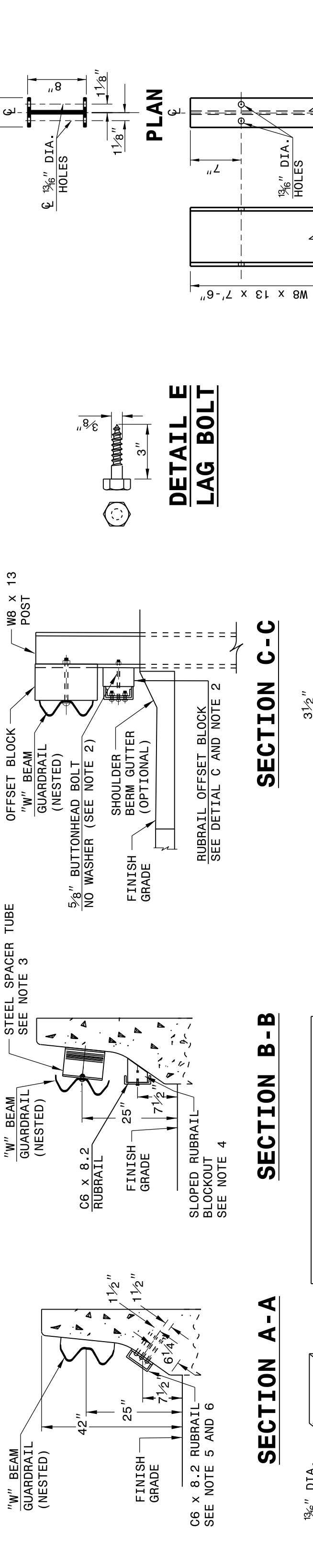
SHEET 6 OF 7
862D03

STATE OF NORTH CAROLINA DEPT. OF TRANSPORTATION DIVISION OF HIGHWAYS RALEIGH, N.C.

ROADWAY DETAIL DRAWING FOR STRUCTURE ANCHOR UNITS GUARDRAIL ANCHOR UNIT TYPE B-83

SHEET 6 OF 7
862D03

STATE OF NORTH CAROLINA DEPT. OF TRANSPORTATION DIVISION OF HIGHWAYS RALEIGH, N.C.

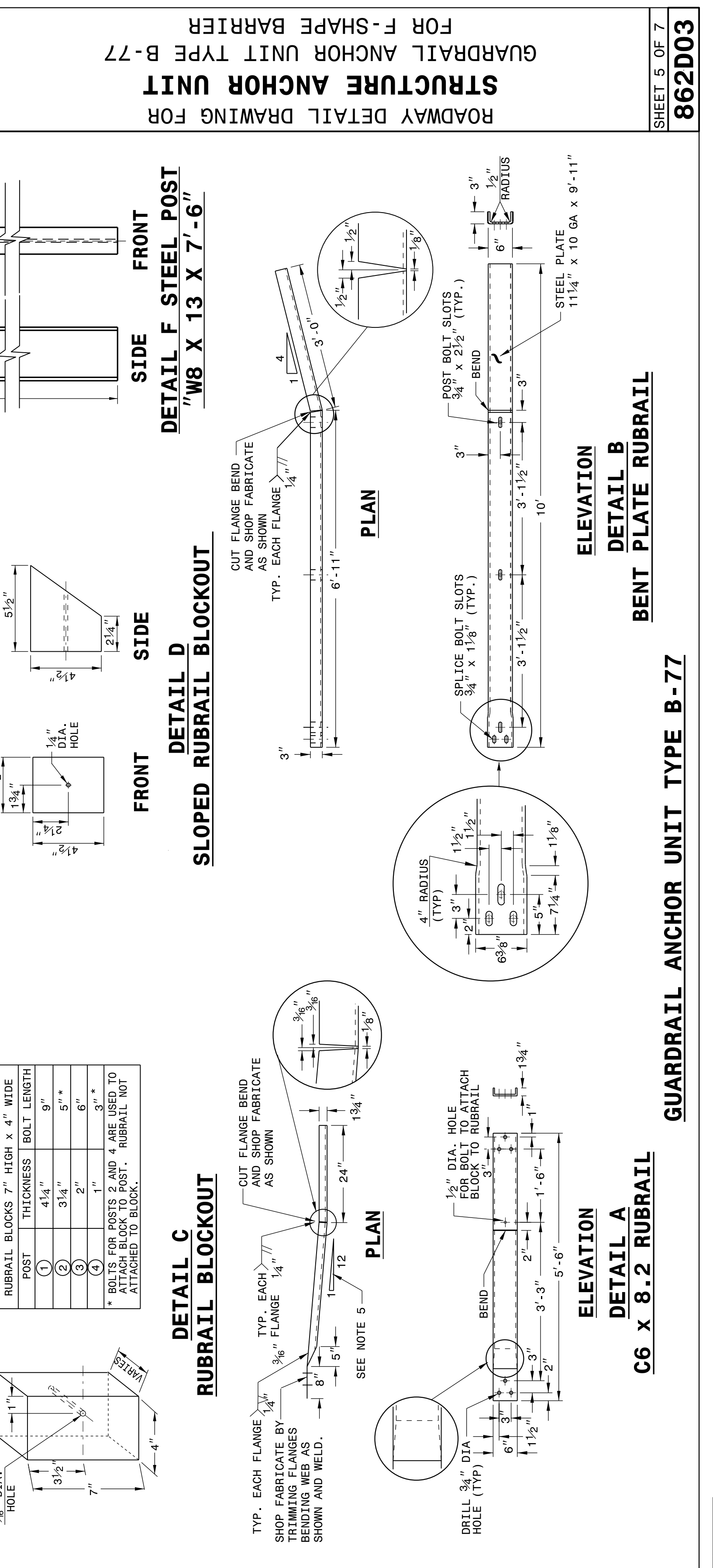


SHEET 5 OF 7
862D03

STATE OF NORTH CAROLINA DEPT. OF TRANSPORTATION DIVISION OF HIGHWAYS RALEIGH, N.C.

ROADWAY DETAIL DRAWING FOR STRUCTURE ANCHOR UNIT GUARDRAIL ANCHOR UNIT TYPE B-77 FOR F-SHAPE BARRIER

SHEET 5 OF 7
862D03



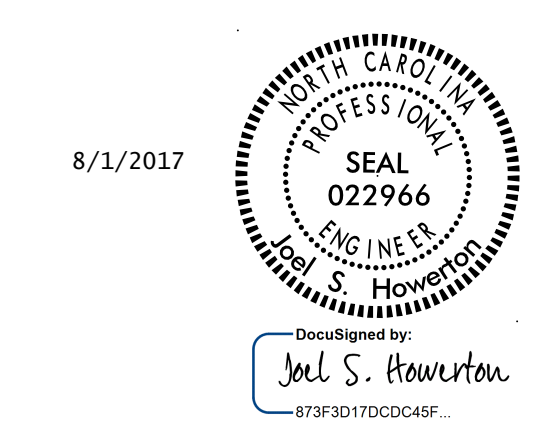
SHEET 5 OF 7
862D03

SHEET 5 OF 7
862D03

CONTRACT STANDARDS AND DEVELOPMENT UNIT
Office 919-707-6950 FAX 919-250-4119

SEE TITLE BLOCK

ORIGINAL BY: J HOWERTON DATE: 06-22-12
MODIFIED BY: DATE:
CHECKED BY: DATE:
FILE SPEC.: DATE:



DOCUMENT NOT CONSIDERED FINAL UNLESS ALL SIGNATURES COMPLETED