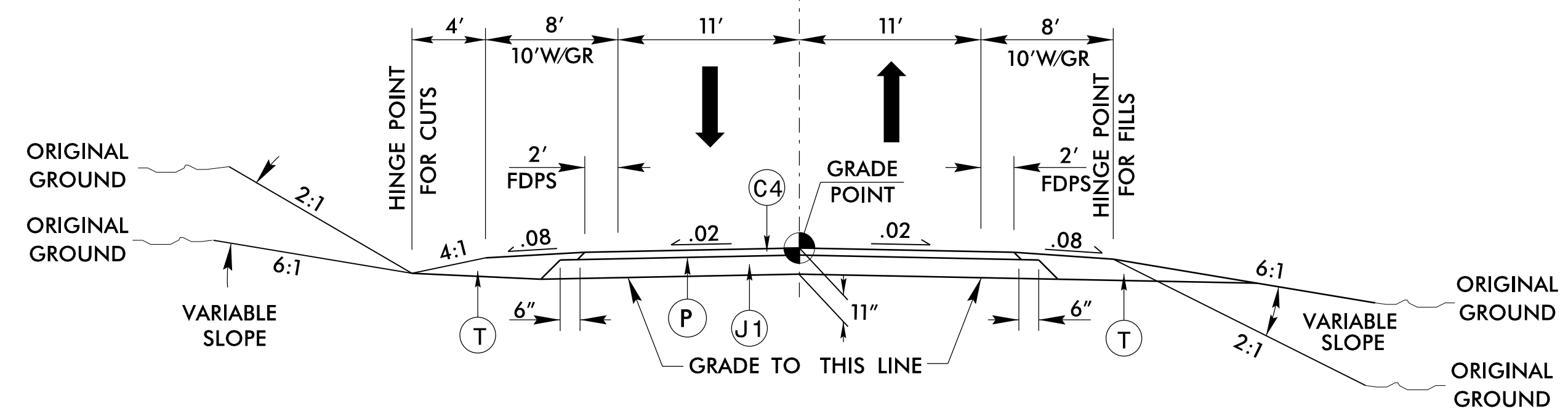


PROJECT REFERENCE NO. U-2579C	SHEET NO. 2A-8
RW SHEET NO.	
ROADWAY DESIGN ENGINEER	PAVEMENT ENGINEER
DOCUMENT NOT CONSIDERED FINAL UNLESS ALL SIGNATURES COMPLETED	



C1	1.5" SF9.5A
C2	2.5" SF9.5A
C4	3" S9.5C
E1	4" B25.0B
J1	8" ABC
P	PRIME COAT
T	EARTH MATERIAL

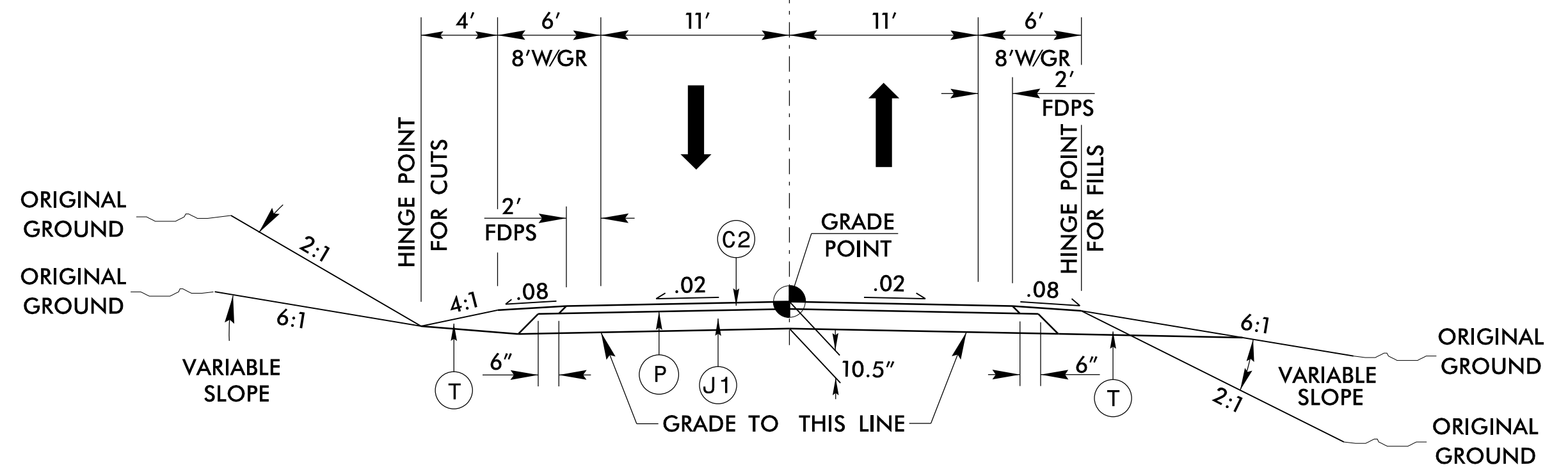
Q_L -Y1DET- (US 311 / NEW WALKERTOWN RD. DETOUR)



TYPICAL SECTION NO. 18

USE TYPICAL SECTION NO. 18:
-Y1DET- STA. 17+29.69 TO STA. 31+62.46

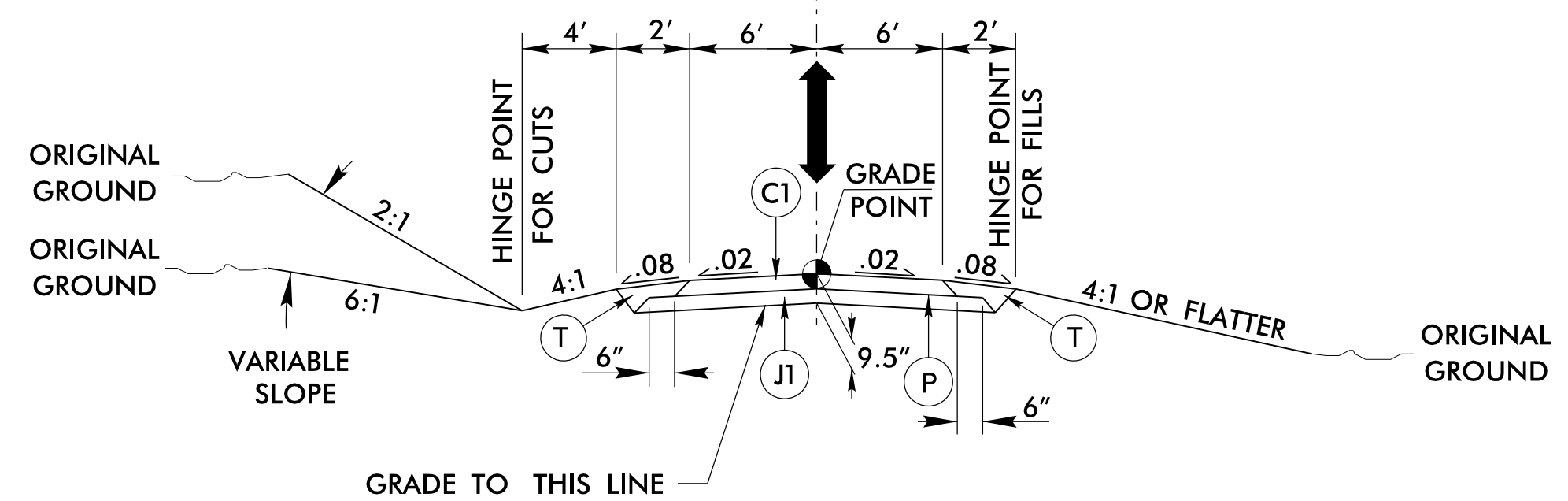
Q_L -Y2DET- (US 158 / WILLISTON RD. DETOUR)



TYPICAL SECTION NO. 19

USE TYPICAL SECTION NO. 19:
-Y2DET- STA. 16+11.86 TO STA. 26+94.39

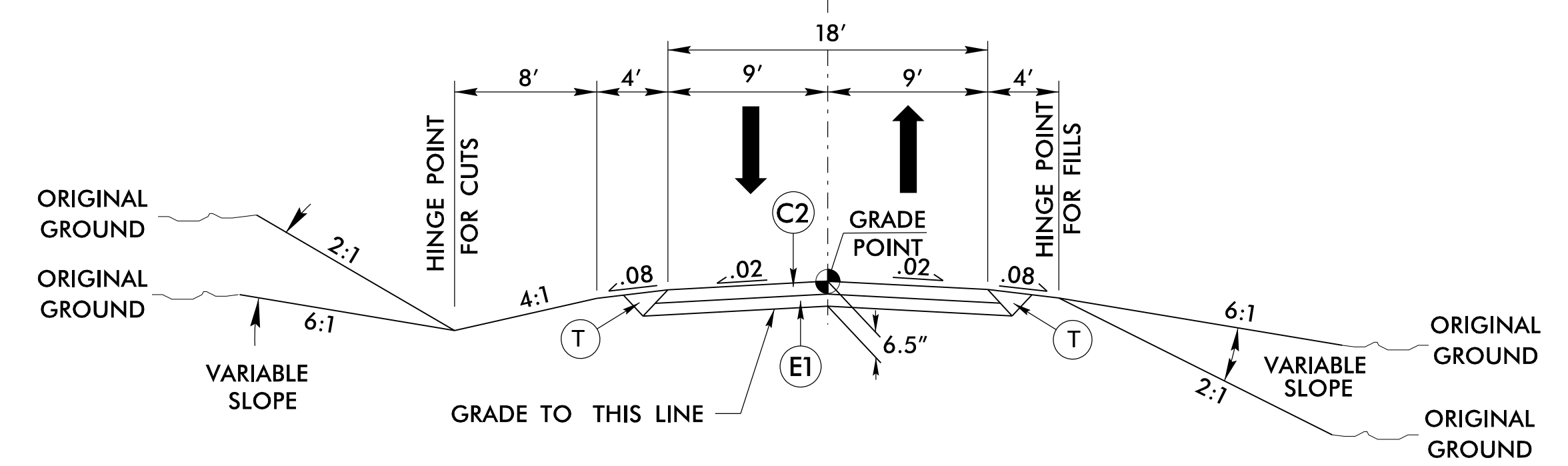
Q_L -DR2- / -DR3-



TYPICAL SECTION NO. 20

USE TYPICAL SECTION NO. 20
FOR THE FOLLOWING:
-DR2- STA 10+16.49 TO STA. 12+10.00
-DR3- STA 10+16.00 TO STA. 11+50.00

Q_L -SRSA-



TYPICAL SECTION NO. 21

USE TYPICAL SECTION NO. 21
FOR THE FOLLOWING:
-SRSA- STA 10+00.00 TO STA. 31+64.74