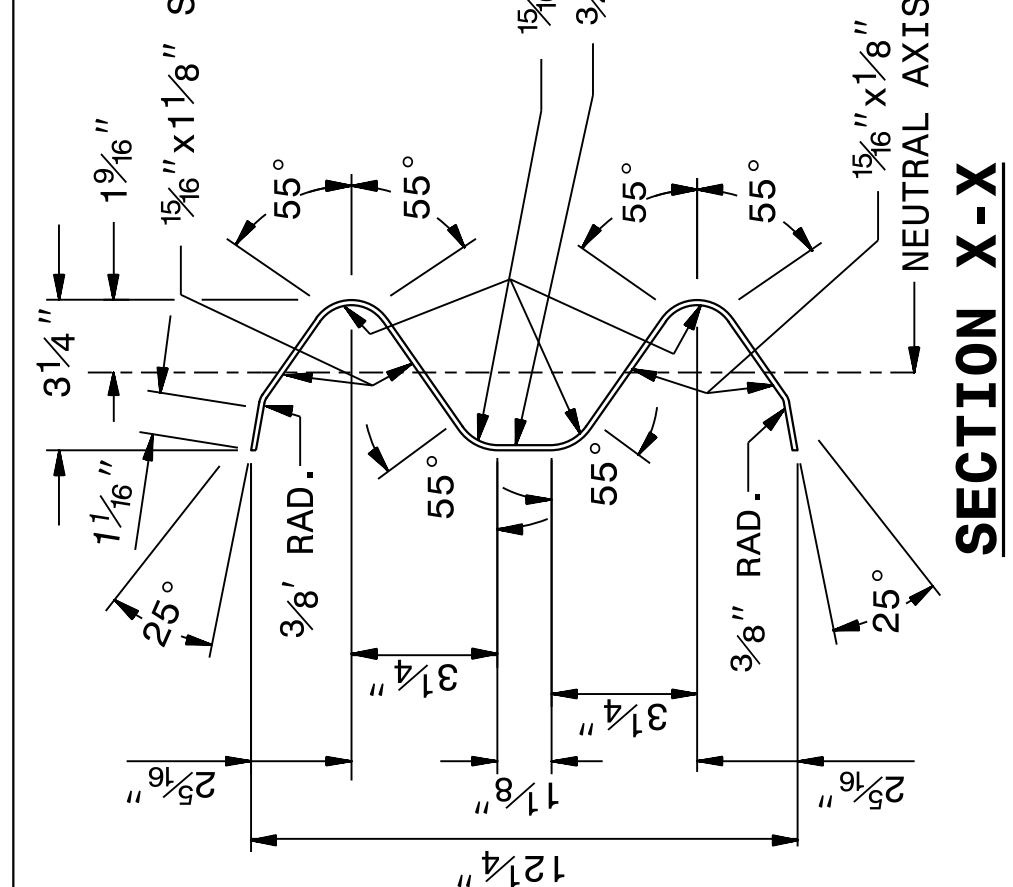
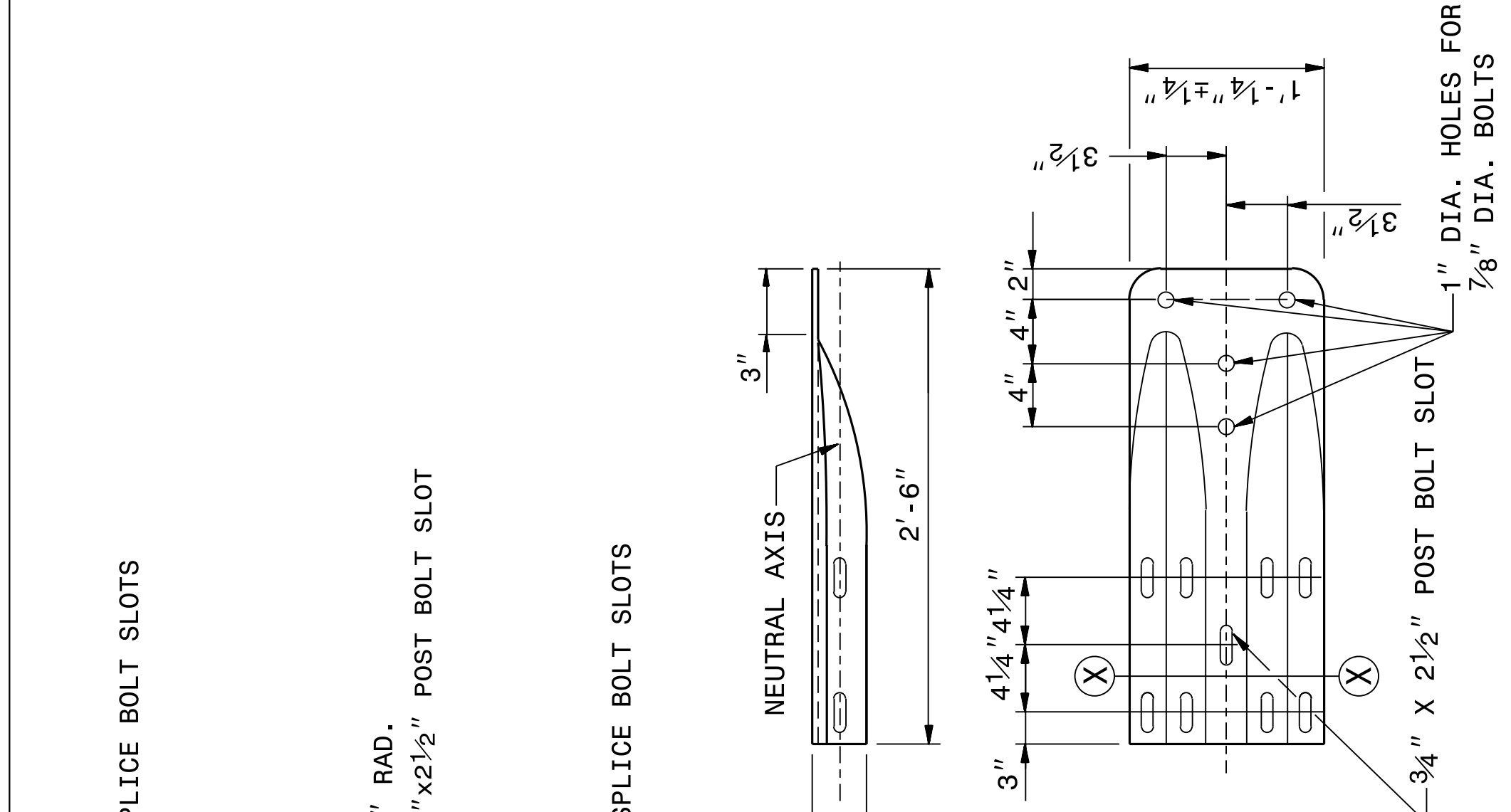


04-MAY-2017 15:21  
 S:\Contracts\2017\Special Details\Standard Drawings\Details in Lieu of Standards\Division 8\862d01 862d03 862d03\862d02.dgn  
 Jhowerton - N1 CSP-21593

STATE OF  
 NORTH CAROLINA  
 DEPT. OF TRANSPORTATION  
 DIVISION OF HIGHWAYS  
 RALEIGH, N.C.

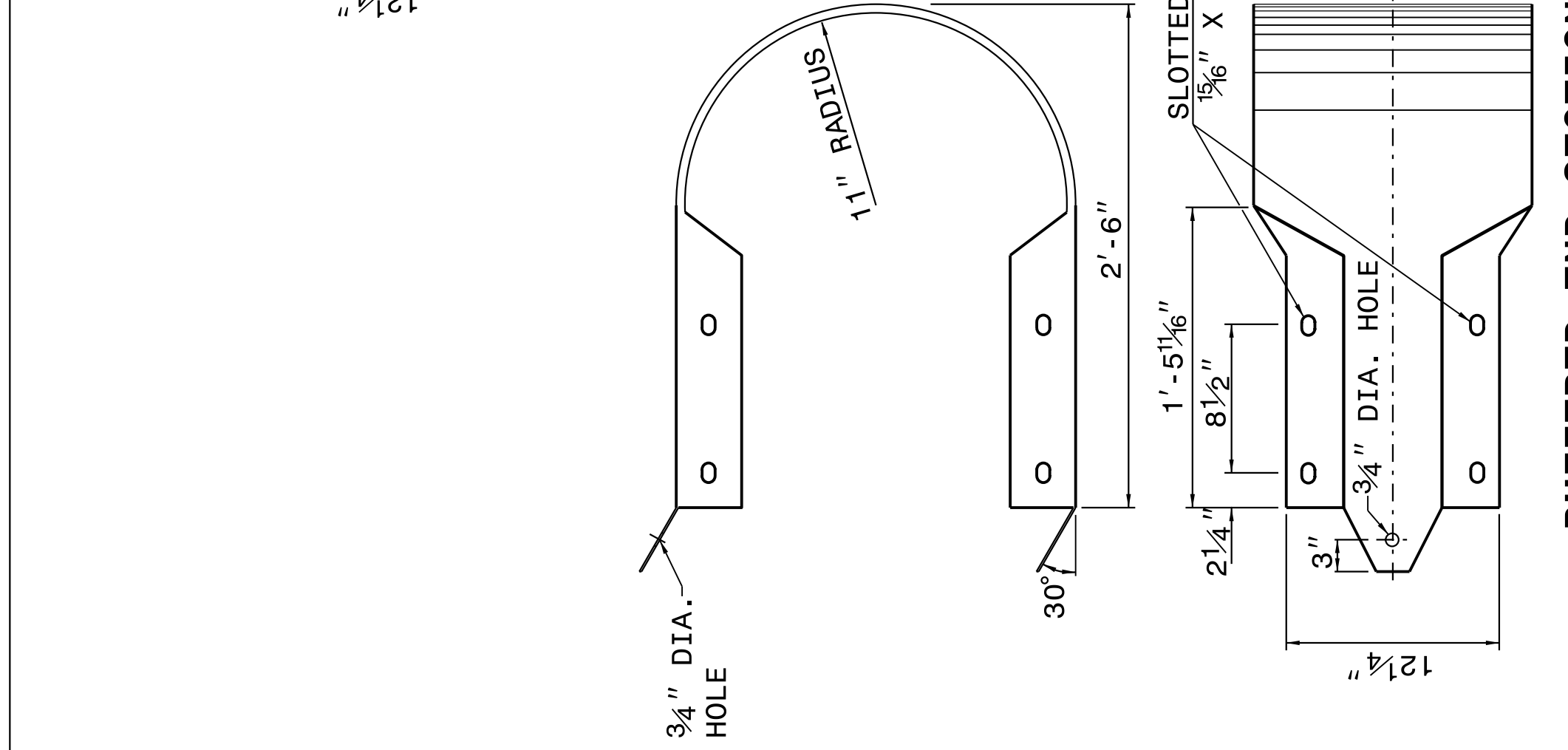
ROADWAY DETAIL DRAWING FOR  
**GUARDRAIL INSTALLATION**

SHEET 8 OF 8  
**862D02**



**SECTION X-X**

**TYPICAL END SHOE**



**BUFFERED END SECTION**

STATE OF  
 NORTH CAROLINA  
 DEPT. OF TRANSPORTATION  
 DIVISION OF HIGHWAYS  
 RALEIGH, N.C.

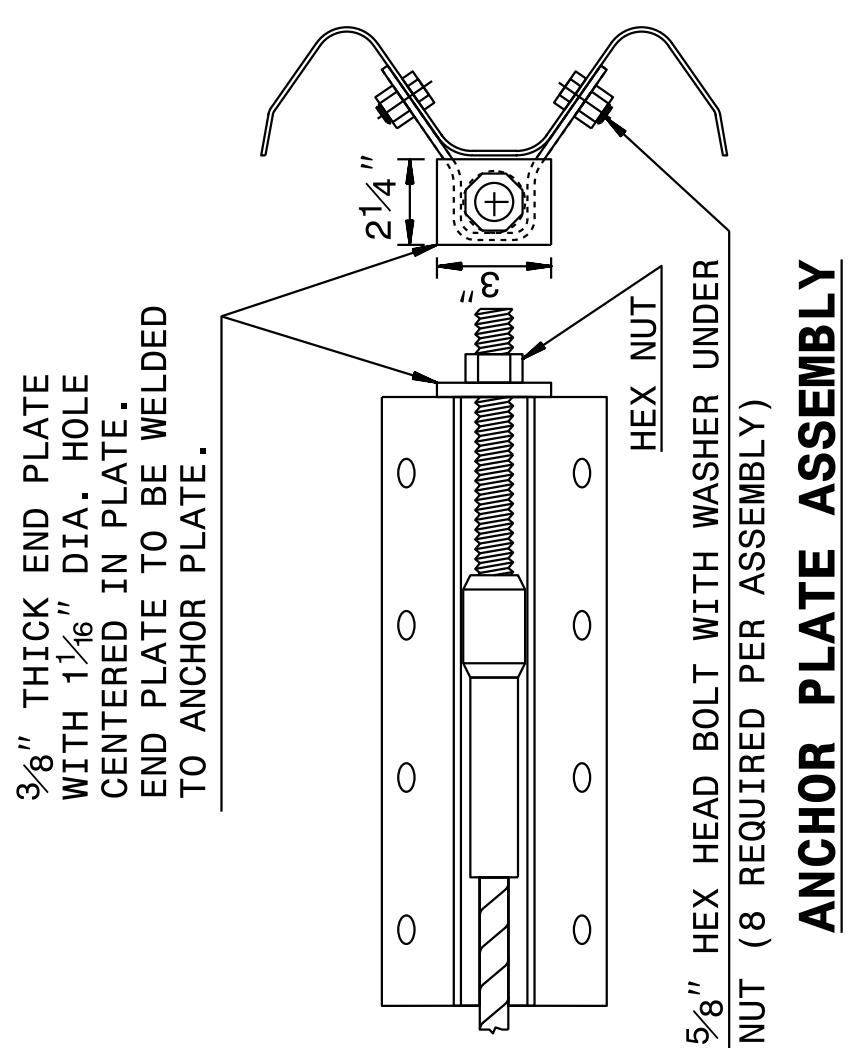
ROADWAY DETAIL DRAWING FOR  
**GUARDRAIL INSTALLATION**

SHEET 8 OF 8  
**862D02**

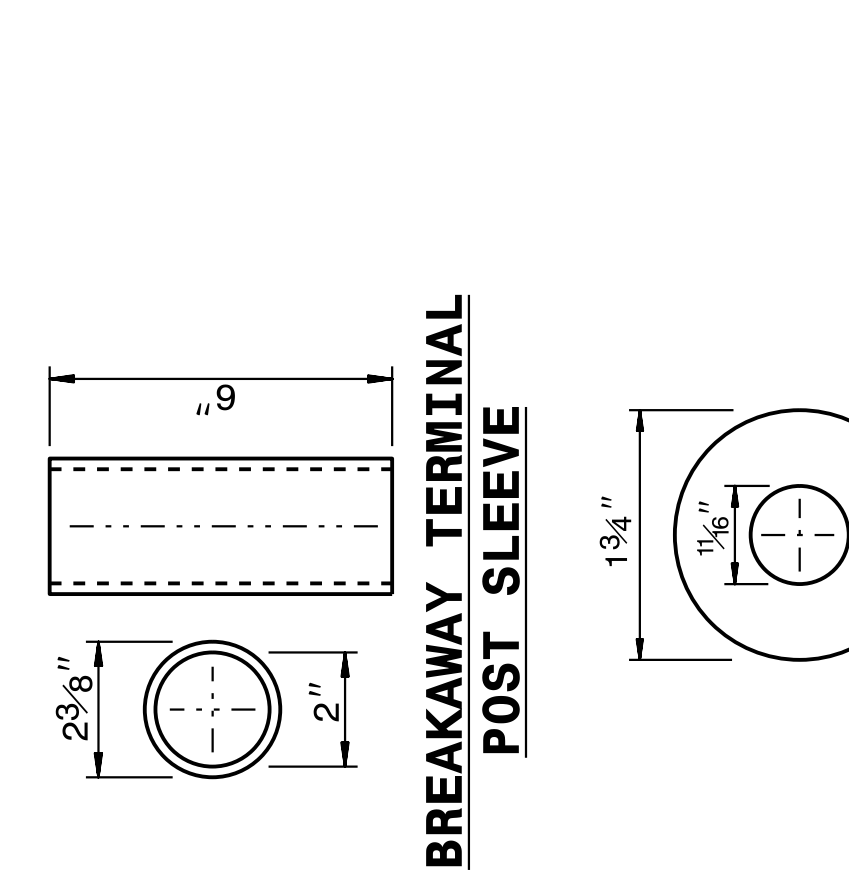
STATE OF  
 NORTH CAROLINA  
 DEPT. OF TRANSPORTATION  
 DIVISION OF HIGHWAYS  
 RALEIGH, N.C.

ROADWAY DETAIL DRAWING FOR  
**GUARDRAIL INSTALLATION**

SHEET 7 OF 8  
**862D02**

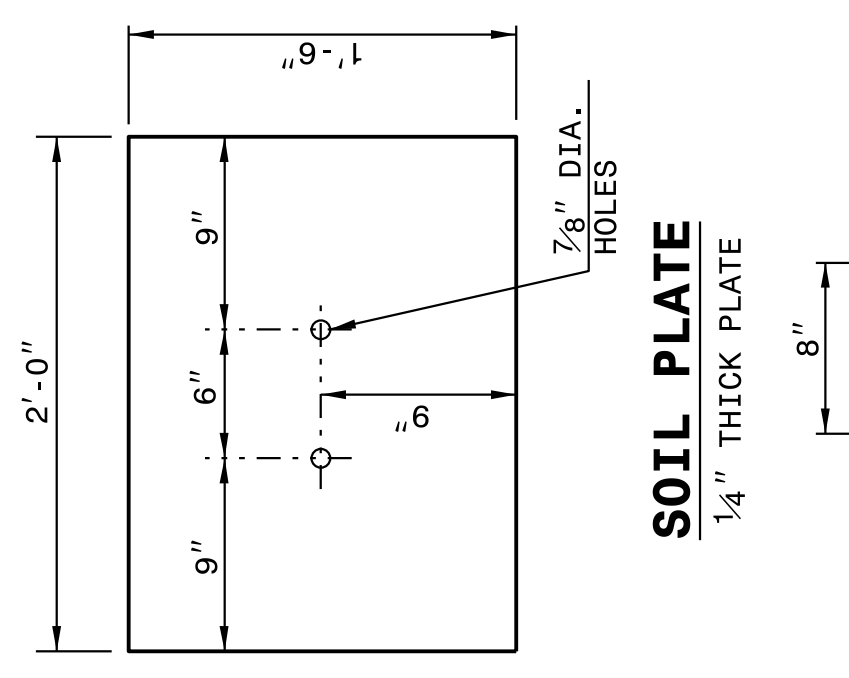


**ANCHOR PLATE ASSEMBLY**



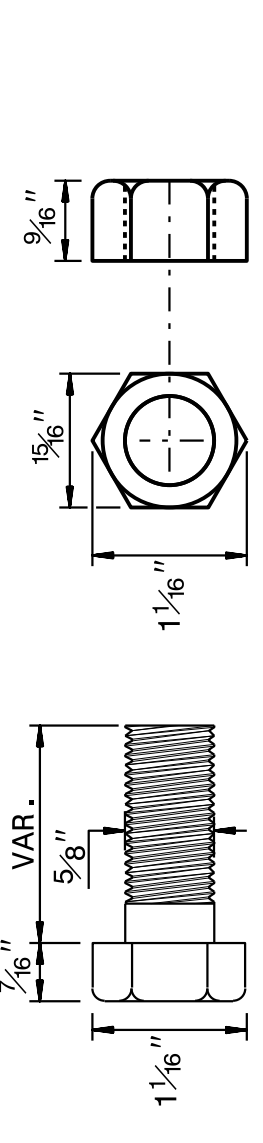
**BREAKAWAY TERMINAL POST SLEEVE**

**DETAIL OF STANDARD WASHER**

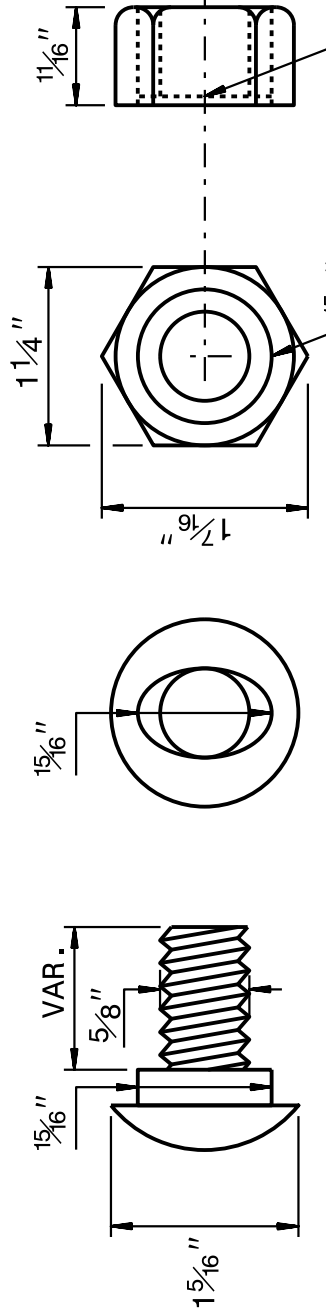


**SOIL PLATE**

**BEARING PLATE**



**DETAIL OF STANDARD HEX BOLT AND NUT**

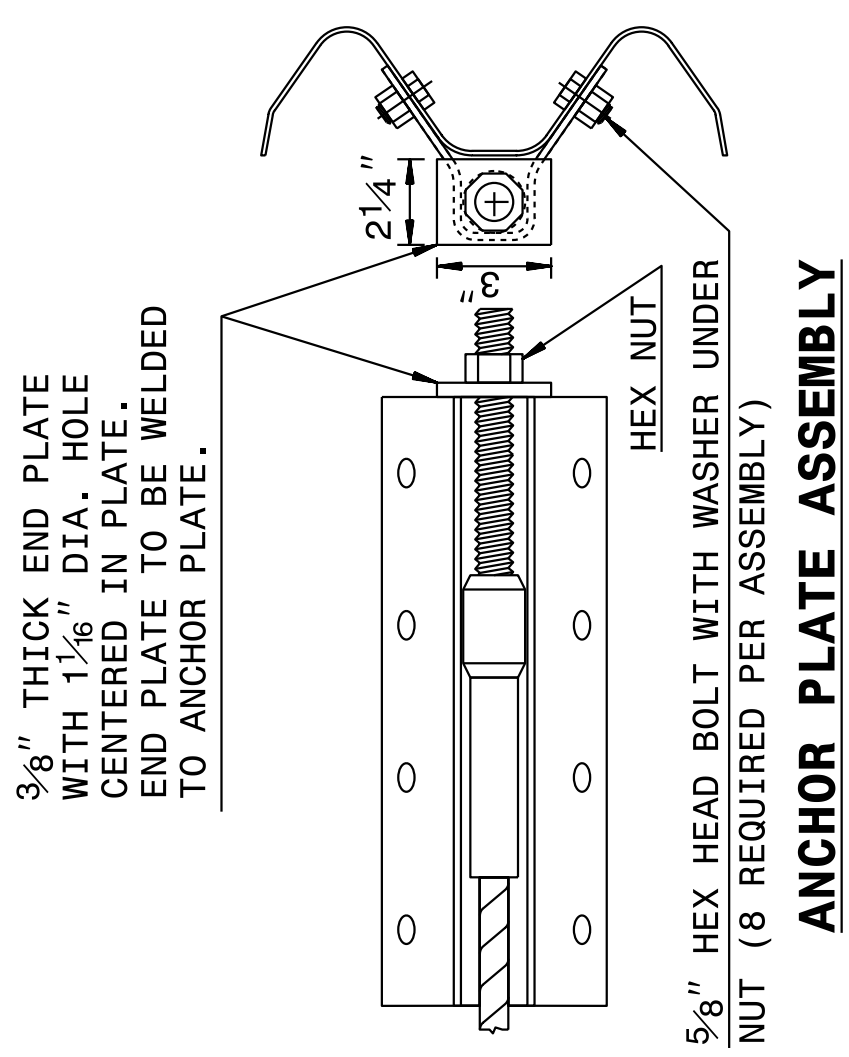


**DETAIL OF BUTTON HEAD BOLT AND NUT**

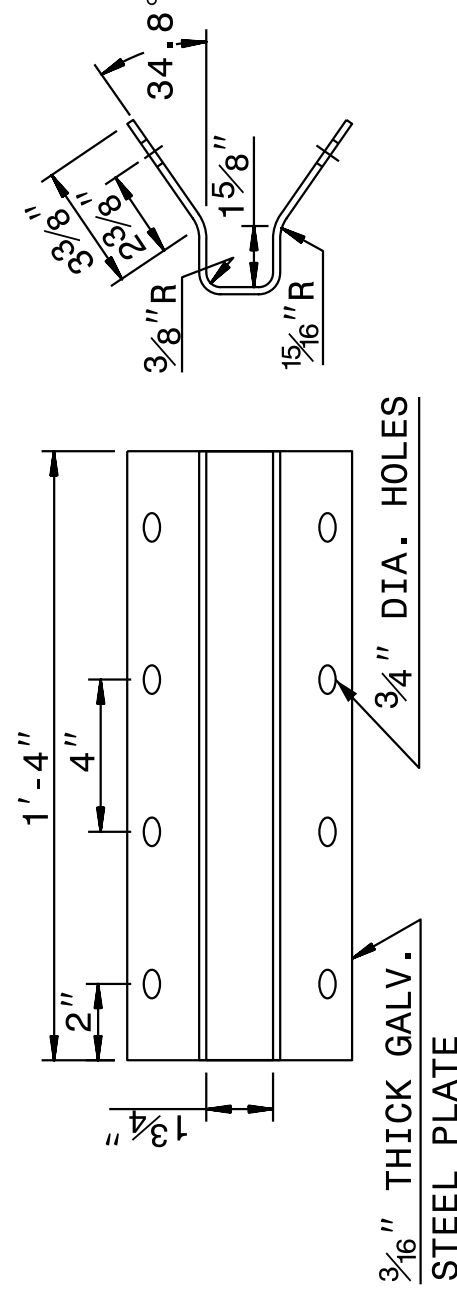
STATE OF  
 NORTH CAROLINA  
 DEPT. OF TRANSPORTATION  
 DIVISION OF HIGHWAYS  
 RALEIGH, N.C.

ROADWAY DETAIL DRAWING FOR  
**GUARDRAIL INSTALLATION**

SHEET 7 OF 8  
**862D02**



**SWAGED CABLE**



**ANCHOR PLATE**

**CABLE ASSEMBLY**

**SYSTEM PARTS**

DOCUMENT NOT CONSIDERED FINAL  
 UNLESS ALL SIGNATURES COMPLETED

**CONTRACT STANDARDS  
 AND DEVELOPMENT UNIT**  
 Office 919-707-6950 FAX 919-250-4119

**SEE TITLE BLOCK**

ORIGINAL BY: J HOWERTON DATE: 06-22-12  
 MODIFIED BY: DATE:  
 CHECKED BY: DATE:  
 FILE SPEC.:

