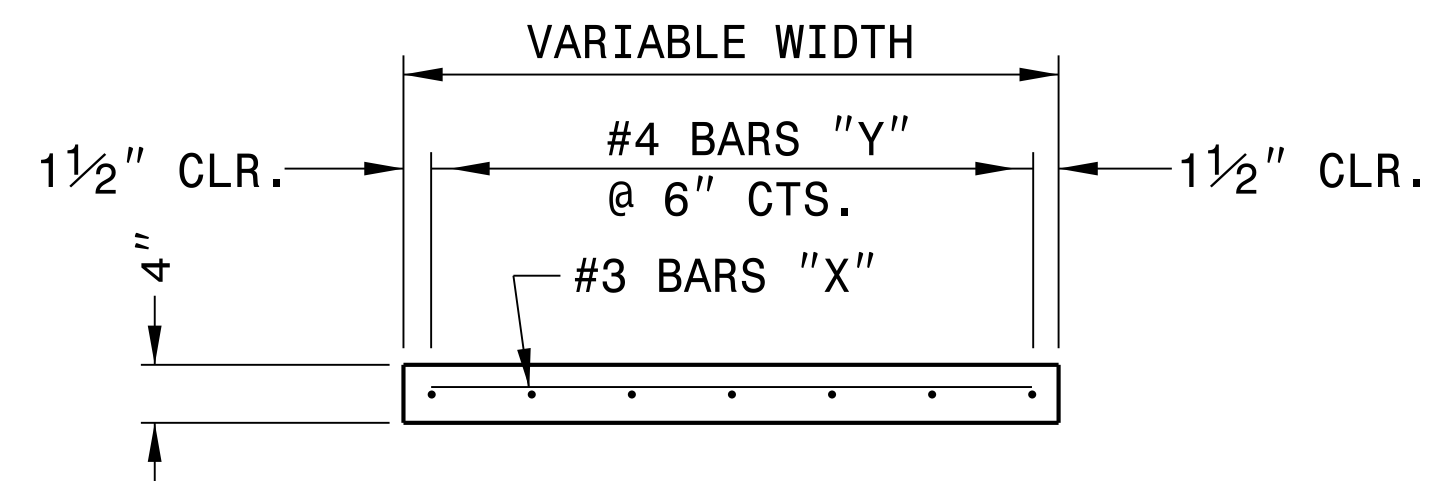
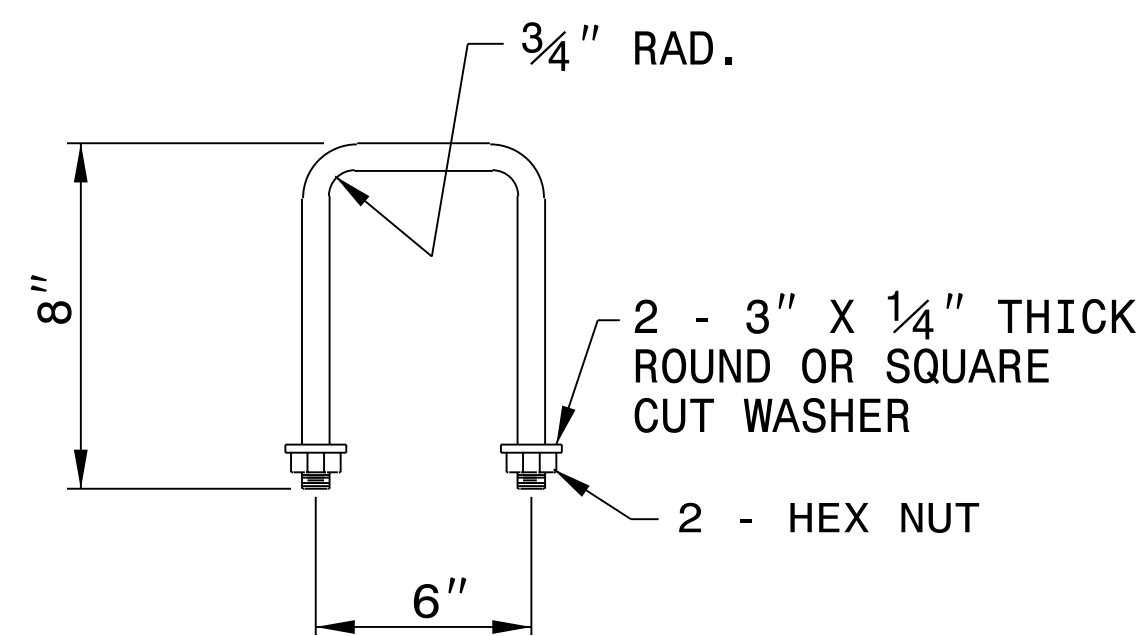


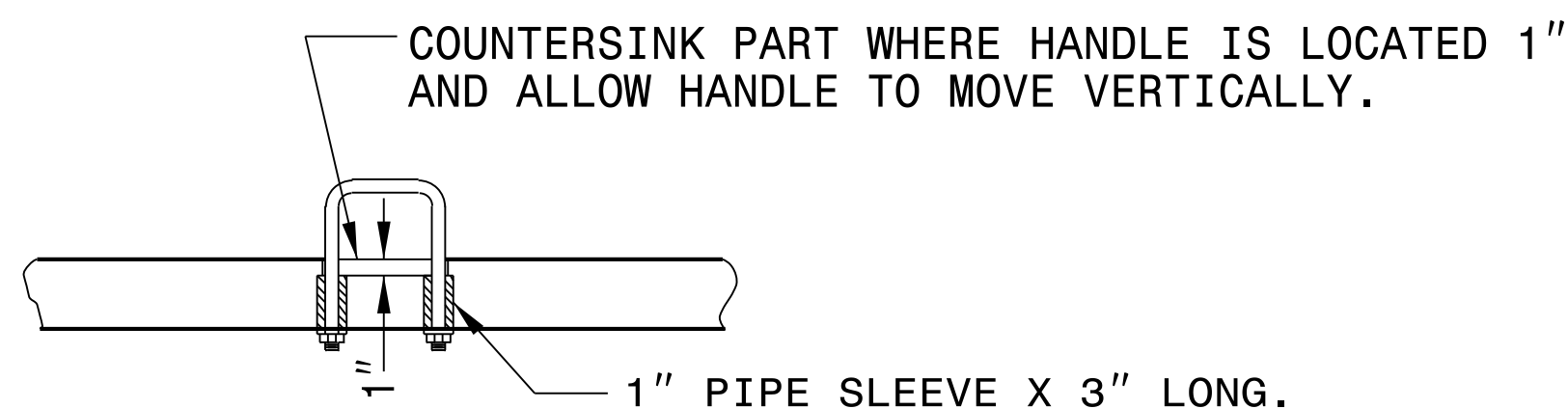
SECTION V-V



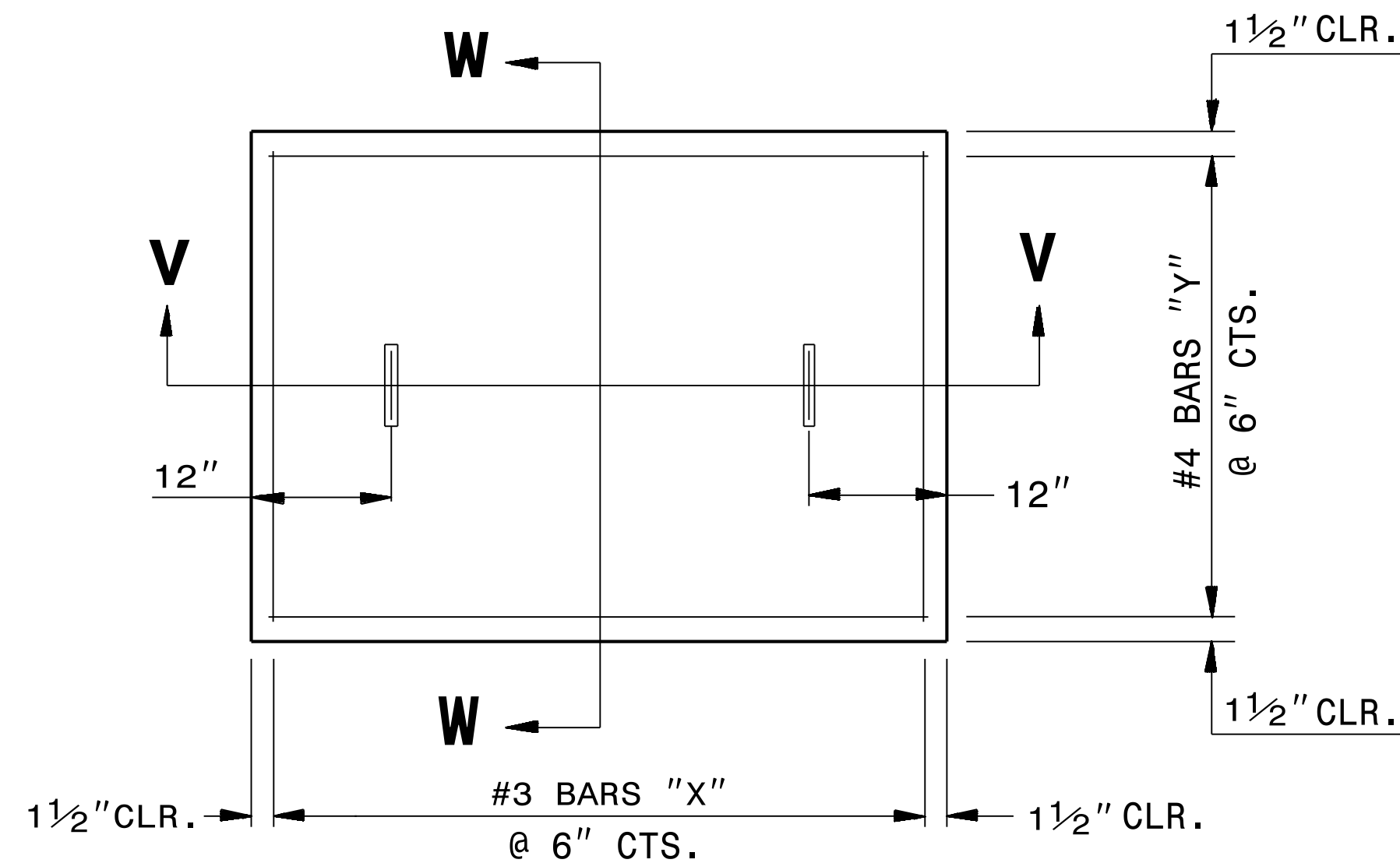
SECTION W-W



DETAIL OF HANDLE

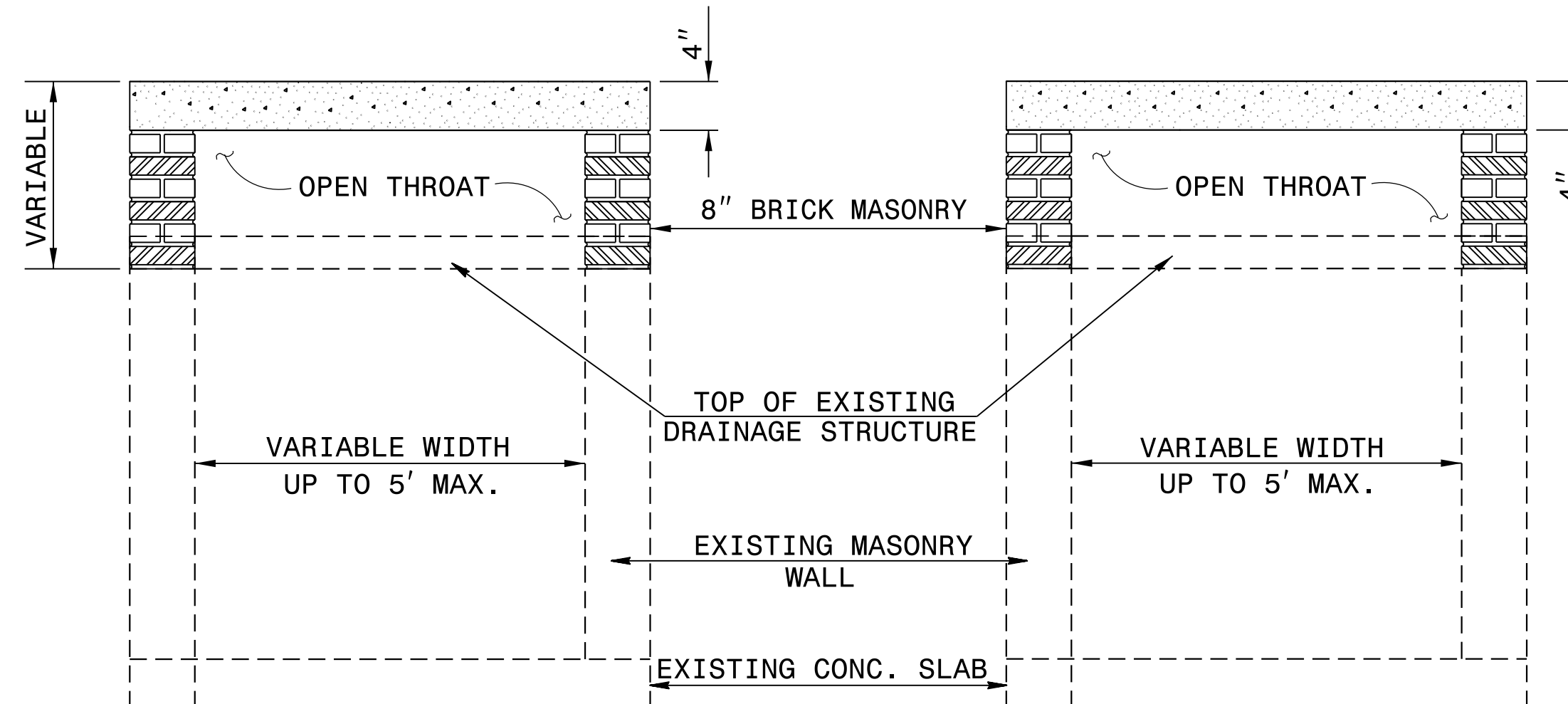


PART SECTION
THRU COVER SHOWING HANDLE



PLAN

PRECAST OR CAST IN PLACE TOP SLAB



SECTION W-W

SECTION V-V

GENERAL NOTES:

CONSTRUCT IN ACCORDANCE WITH SECTION 859 OF THE STANDARD SPECIFICATIONS.

THE DIMENSIONS FOR THE EXISTING BOXES ARE APPROXIMATE AND MAY VARY SLIGHTLY.

DETAIL INTENDED FOR NON-TRAFFIC BEARING DRAINAGE STRUCTURES.

BILL OF MATERIALS

REINFORCING STEEL

CODE	SIZE	QTY.	LENGTH	REINF. STEEL lbs.
X	#3	9	3'-1"	10.4
Y	#4	7	4'-1"	19.1
TOTAL				29.5 *

MASONRY

	CY
TOP SLAB CONCRETE CLASS "B"	0.1783 *
BRICK MASONRY PER FT HT (MIN)	0.3127 *

NO DEDUCTIONS HAVE BEEN TAKEN FOR OPEN THROAT OPENINGS

*** NOTE:**
QUANTITIES BASED ON 3'-0" X 2'-0" DRAINAGE STRUCTURE. ADJUST QUANTITIES FOR LARGER STRUCTURES.



Designed by:
Joel S. Haverstick
873F3D17DCDC45F

DOCUMENT NOT CONSIDERED FINAL UNLESS ALL SIGNATURES COMPLETED

CONTRACT STANDARDS AND DEVELOPMENT UNIT
Office 919-707-6950 FAX 919-250-4119

DETAIL TO CONVERT EXISTING DRAINAGE BOX TO OPEN THROAT CATCH BASIN

ORIGINAL BY: E.E. WARD DATE: 9-02-03
MODIFIED BY: DATE:
CHECKED BY: DATE:
FILE SPEC.: s:usr/details/stand/cbto_openthrt.dgn