

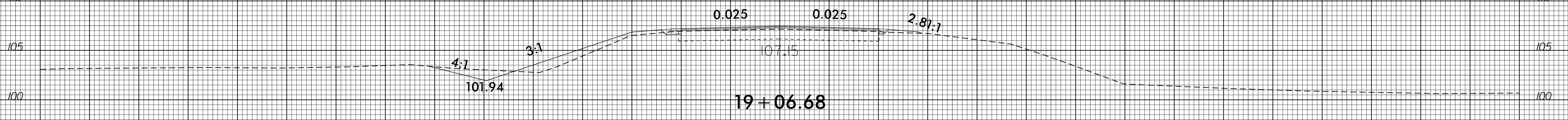
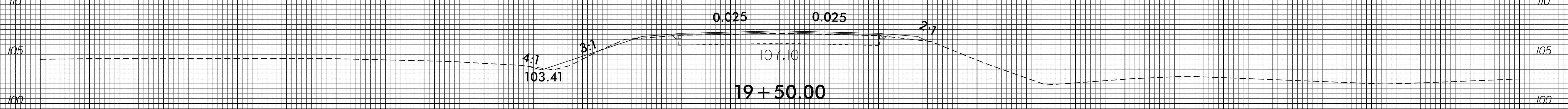
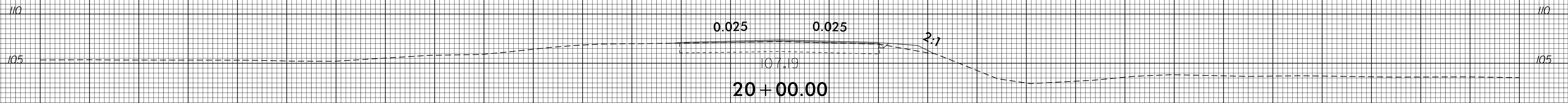
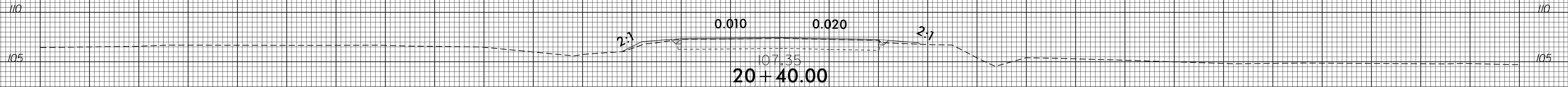
6/23/16



PROJ. REFERENCE NO.	SHEET NO.
B-4770	X-6

PROJ. REFERENCE NO.	SHEET NO.
B-4770	X-6

75 70 65 60 55 50 45 40 35 30 25 20 15 10 5 0 5 10 15 20 25 30 35 40 45 50 55 60 65 70 75



75 70 65 60 55 50 45 40 35 30 25 20 15 10 5 0 5 10 15 20 25 30 35 40 45 50 55 60 65 70 75

29-JUN-2017 14:37
J:\0859170\AR\pdp\B4770\B4770_RdJ_xpl.dgn
6/23/16 11:45