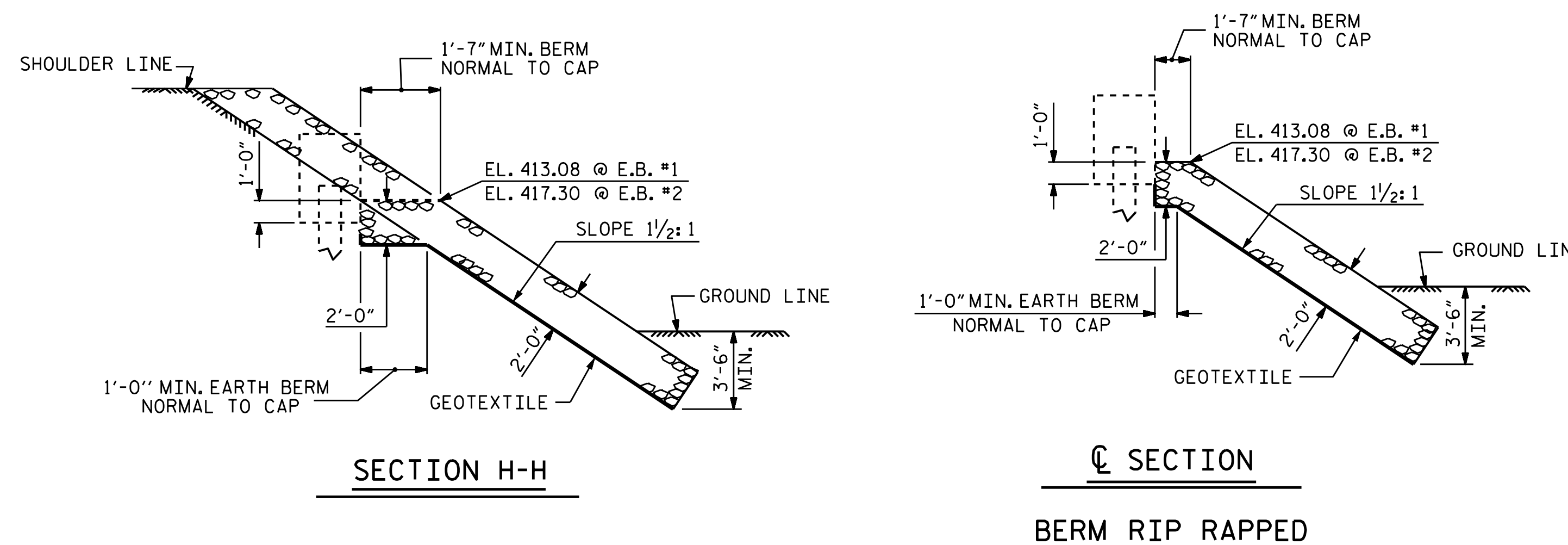


ESTIMATED QUANTITIES		
BRIDGE @ STA. 13+62.50 -L-	RIP RAP CLASS II (2'-0" THICK)	GEOTEXTILE FOR DRAINAGE
	TONS	SQUARE YARDS
END BENT 1	100	110
END BENT 2	175	195



PROJECT NO. B-5327
 PERSON _____ COUNTY _____
 STATION: 13+62.50 -L-



STATE OF NORTH CAROLINA DEPARTMENT OF TRANSPORTATION RALEIGH					
STANDARD RIP RAP DETAILS					
REVISIONS					
NO.	BY:	DATE:	NO.	BY:	DATE:
1			3		
2			4		

DOCUMENT NOT CONSIDERED FINAL UNLESS ALL SIGNATURES COMPLETED	NO.	BY:	DATE:	NO.	BY:	DATE:	SHEET NO. S-17
	1			3			TOTAL SHEETS 18
	2			4			

ASSEMBLED BY : *William F. Parker* DATE : 08/2016
 CHECKED BY : A. SORSENGIH DATE : 10/2016
 DRAWN BY : REK 1/84
 CHECKED BY : RDU 1/84

REV. 5/1/06R TLA/GM
 REV. 10/1/11 MAA/GM
 REV. 12/21/11 MAA/GM

23-MAY-2017 09:48
 R:\Structures\Plans\B5327.SMU.01.RR.dgn
 jdhawk

DocuSigned by:
William F. Parker
 5/23/2017

STD. NO. RR1