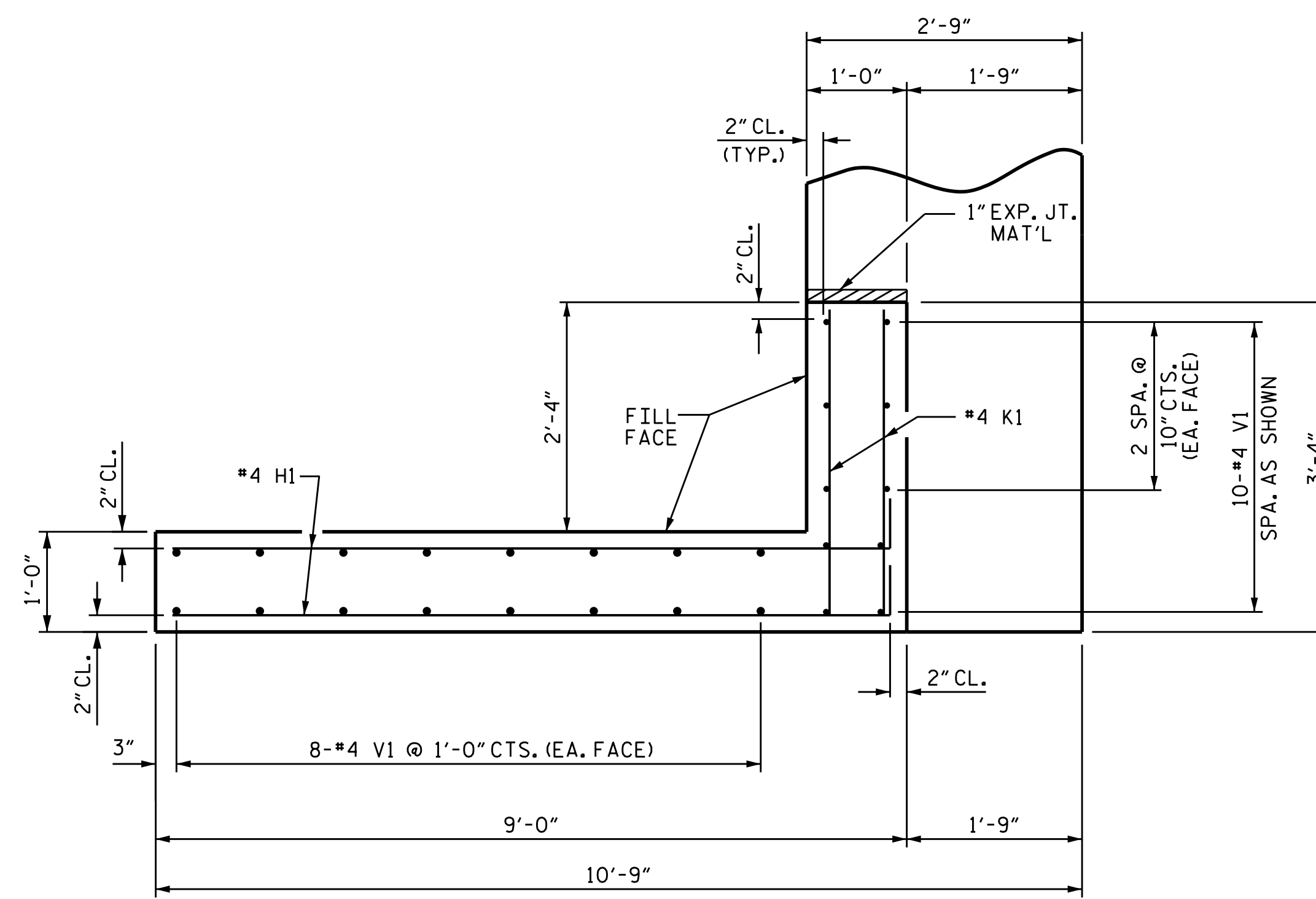
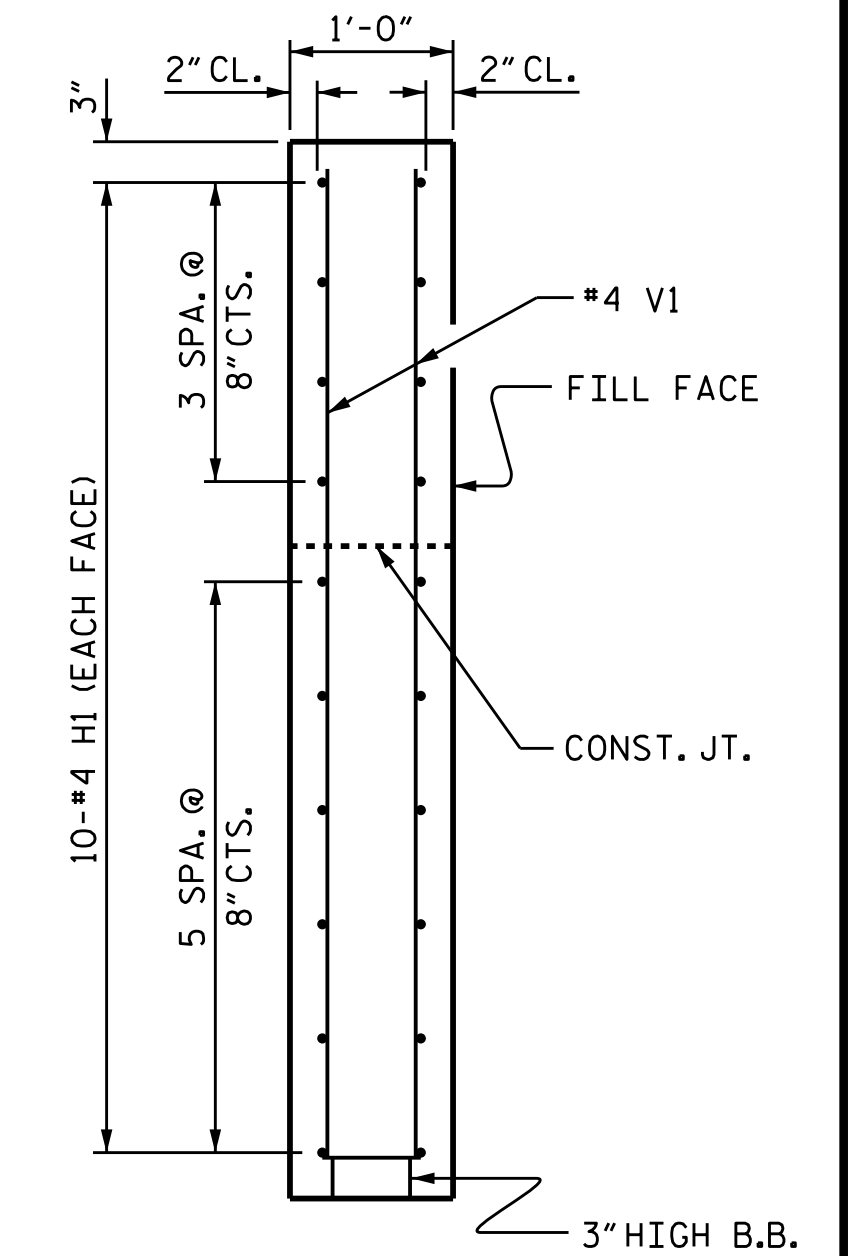


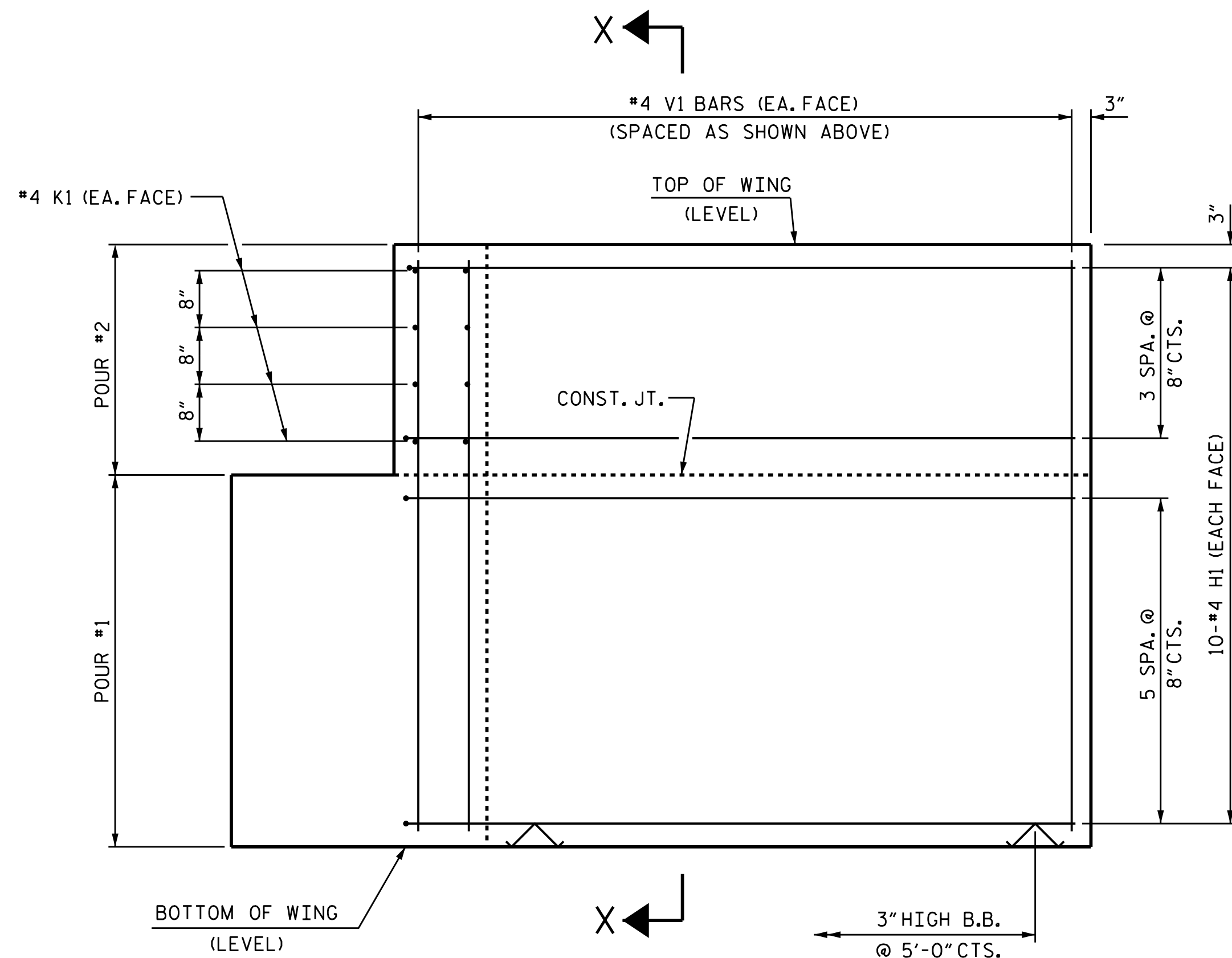
PLAN OF WING (W1)



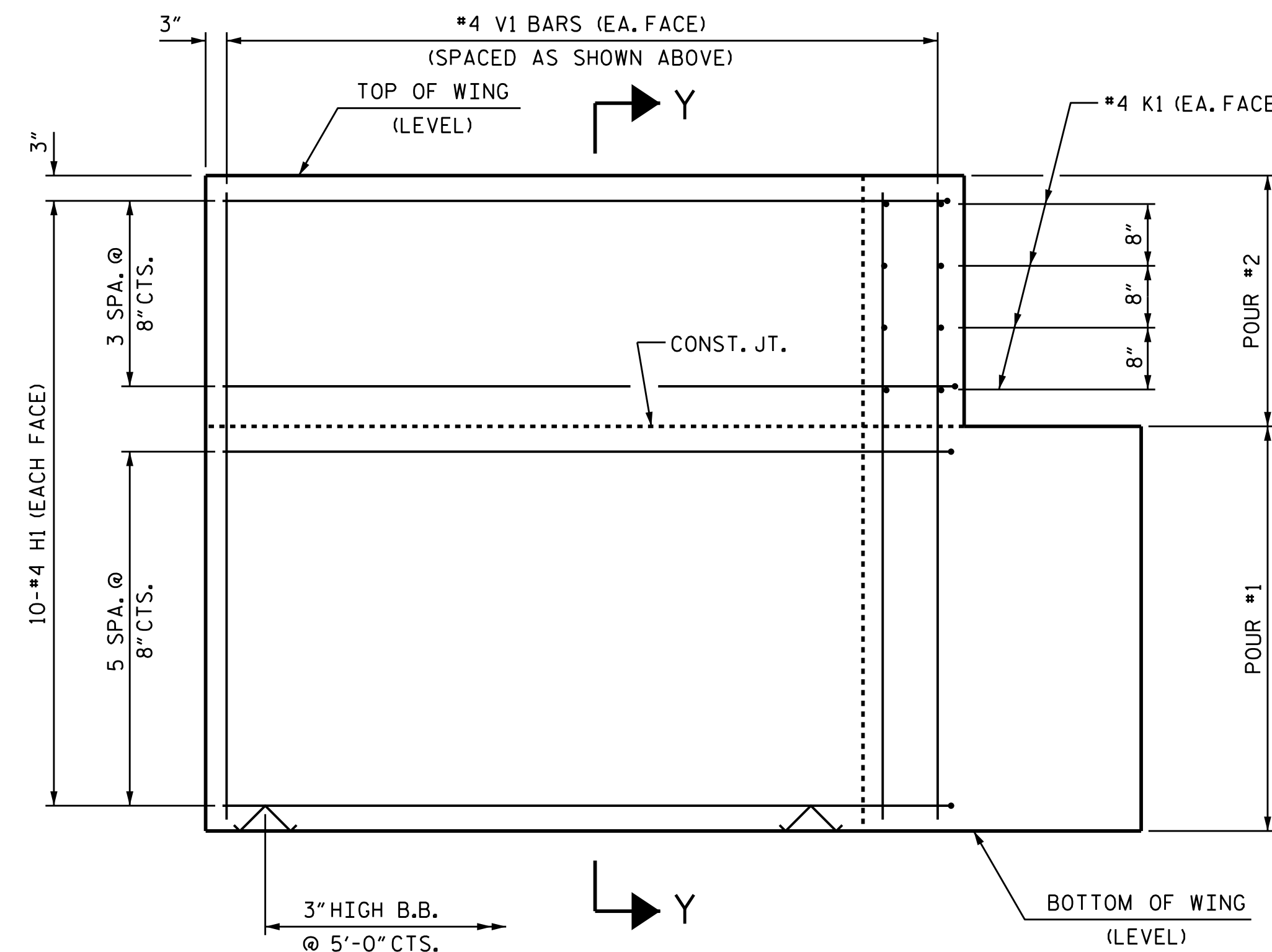
PLAN OF WING (W2)



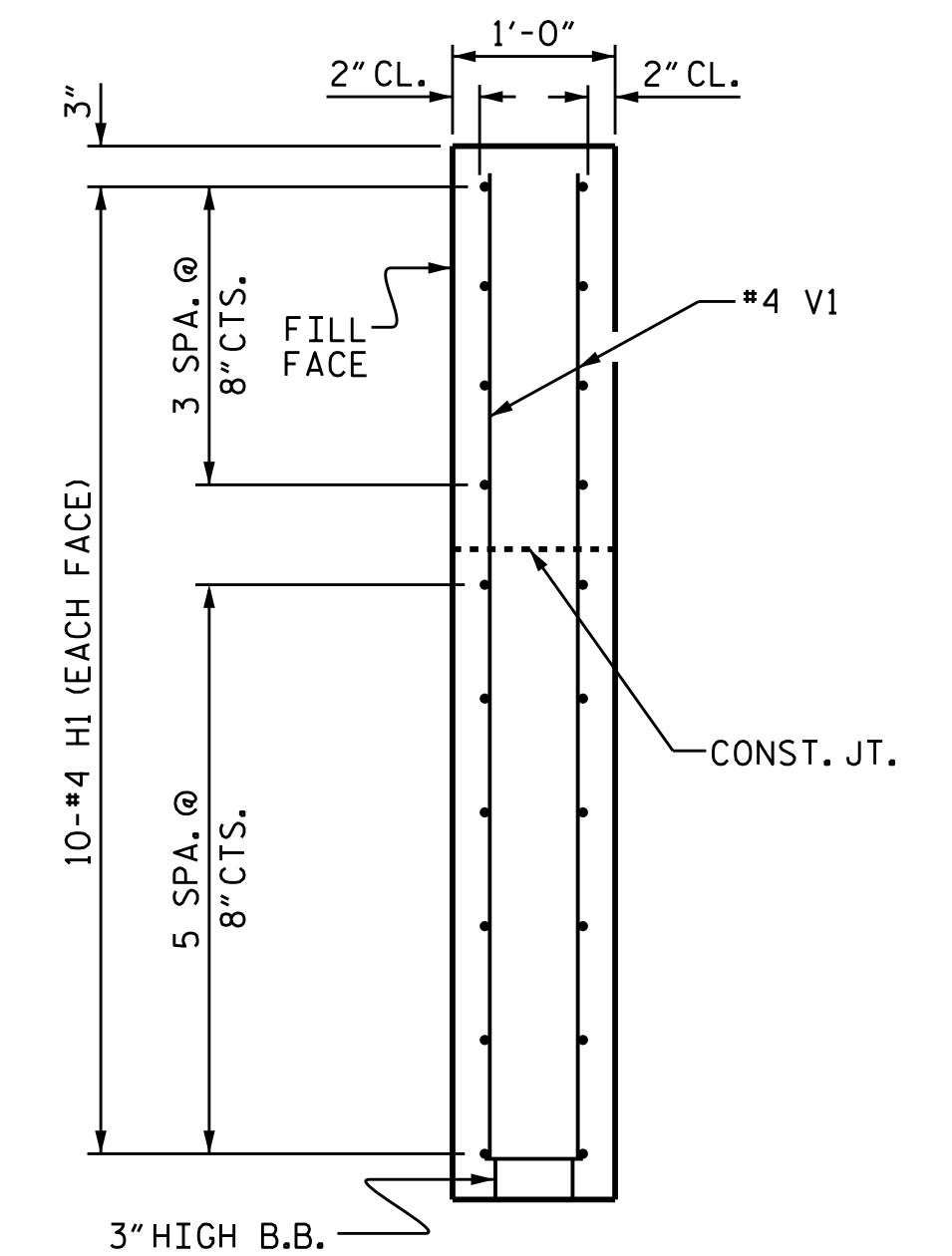
SECTION X-X



ELEVATION OF WING (W1)



ELEVATION OF WING (W2)



SECTION Y-Y

PROJECT NO. B-5327
 PERSON _____ COUNTY _____
 STATION: 13+62.50 -L-

SHEET 3 OF 4



| | | | | | |
|--|-----|-------|-----|-----|--------------|
| STATE OF NORTH CAROLINA DEPARTMENT OF TRANSPORTATION RALEIGH | | | | | |
| SUBSTRUCTURE END BENT WING DETAILS | | | | | |
| REVISIONS | | | | | SHEET NO. |
| NO. | BY: | DATE: | NO. | BY: | DATE: |
| 1 | | | 3 | | |
| 2 | | | 4 | | |
| | | | | | TOTAL SHEETS |
| | | | | | 18 |

ASSEMBLED BY: *William J. Parker* DATE: 08/2016
 CHECKED BY: A. SORSENGINH DATE: 10/2016
 DRAWN BY: WJH 12/11
 CHECKED BY: AAC 12/11

23-MAY-2017 09:48
 R:\Structures\Plans\B5327-SMU.01.EB.dgn
 jdhawk

DOCUMENT NOT CONSIDERED
 FINAL UNLESS ALL
 SIGNATURES COMPLETED

WING DETAILS