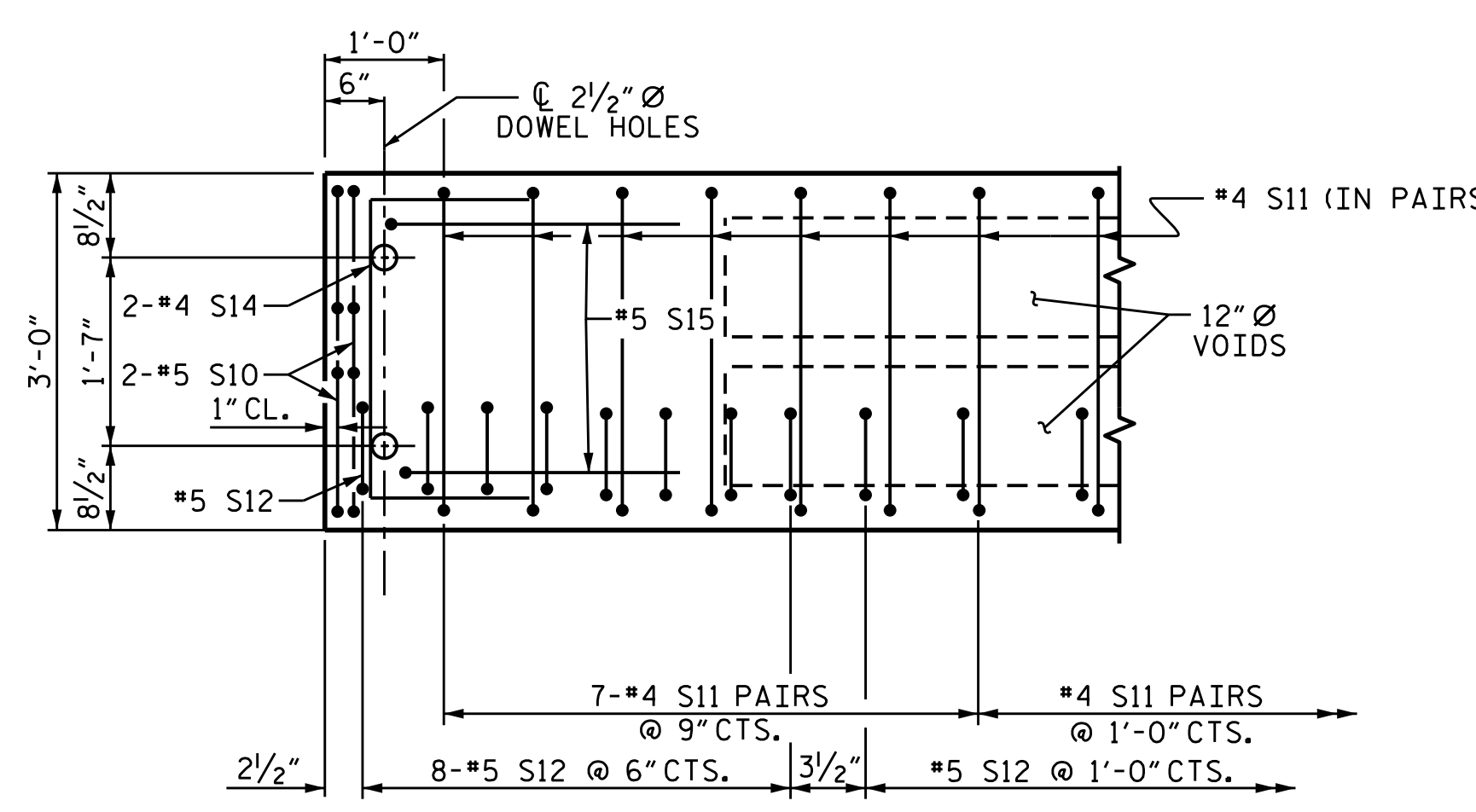
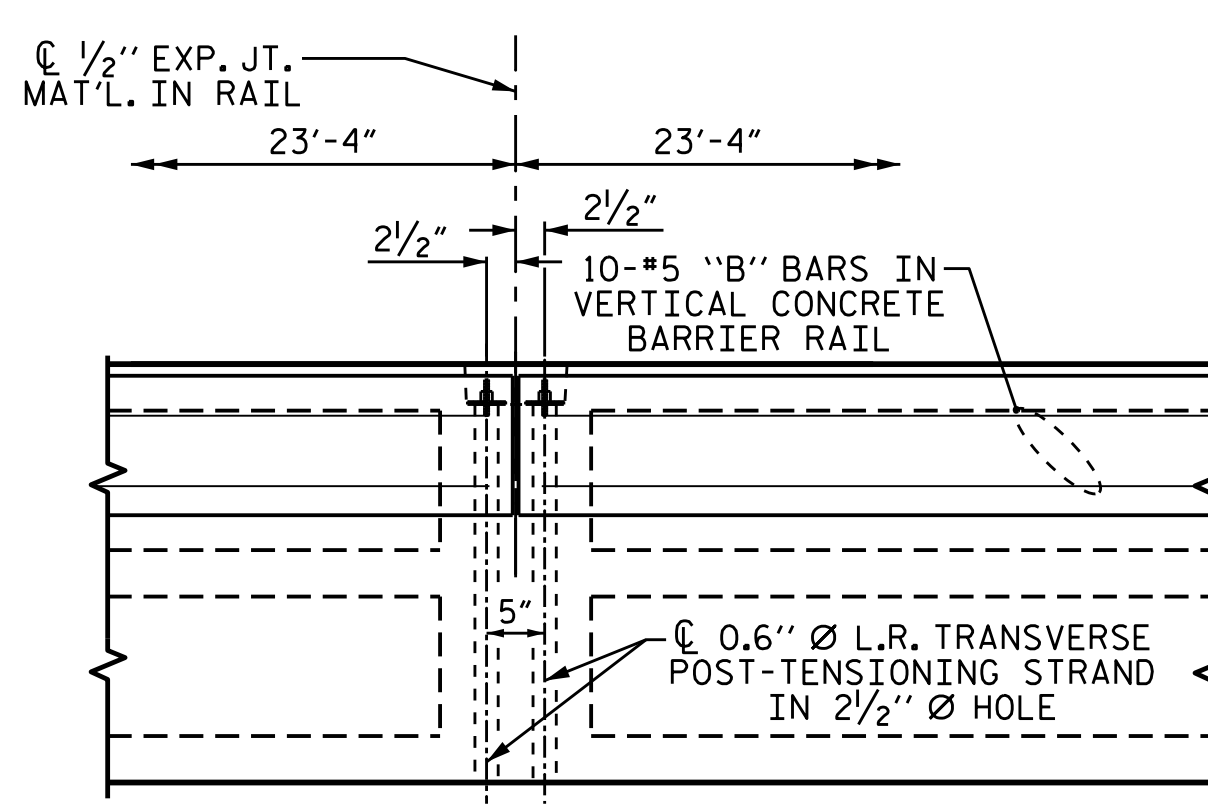


PLAN OF UNIT



DETAIL "A"

(TYPICAL EACH END OF UNIT)
NOTE: EXTERIOR UNIT SHOWN - INTERIOR UNIT SIMILAR EXCEPT OMIT #5 S12 BARS.



DETAIL "B"

#4 S11 BARS MAY BE SHIFTED AS NECESSARY TO MAINTAIN 1" CLEAR TO GROUDED RECESS AND 2 1/2" Ø TRANSVERSE POST-TENSIONING STRAND HOLES

PROJECT NO. B-5327
PERSON _____ COUNTY _____
STATION: 13+62.50 -L-

SHEET 2 OF 3



STATE OF NORTH CAROLINA
DEPARTMENT OF TRANSPORTATION
RALEIGH
PLAN OF 70' UNIT
30'-10" CLEAR ROADWAY
90° SKEW
SPANS A, B & C

ASSEMBLED BY: William F. Parker DATE: 08/2016
CHECKED BY: A. SORSENGINH DATE: 10/2016
DRAWN BY: MAA 6/10 REV. 12/5/11 MAA/AAC
CHECKED BY: MKT 7/10 REV. 8/14 MAA/TMG

DOCUMENT NOT CONSIDERED
FINAL UNLESS ALL
SIGNATURES COMPLETED

NO.		BY:		DATE:		REVISIONS		SHEET NO.	
1						3		S-6	
2						4		TOTAL SHEETS	18