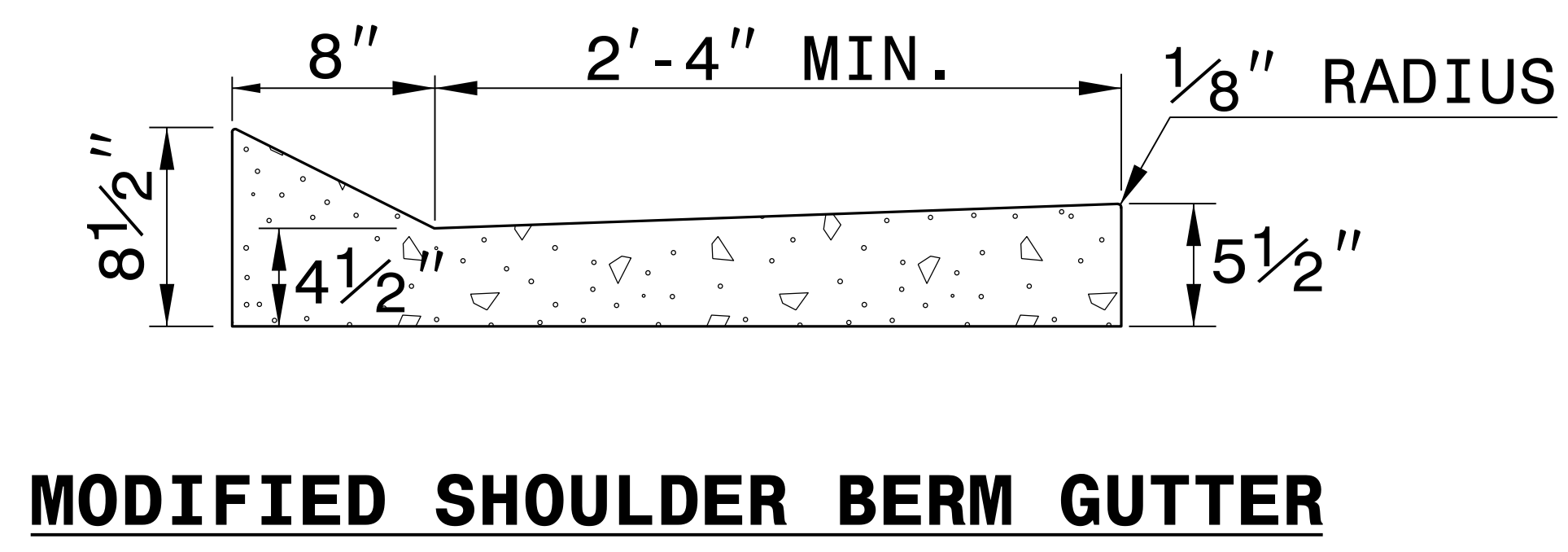


STATE OF NORTH CAROLINA
 DEPT. OF TRANSPORTATION
 DIVISION OF HIGHWAYS
 RALEIGH, N.C.

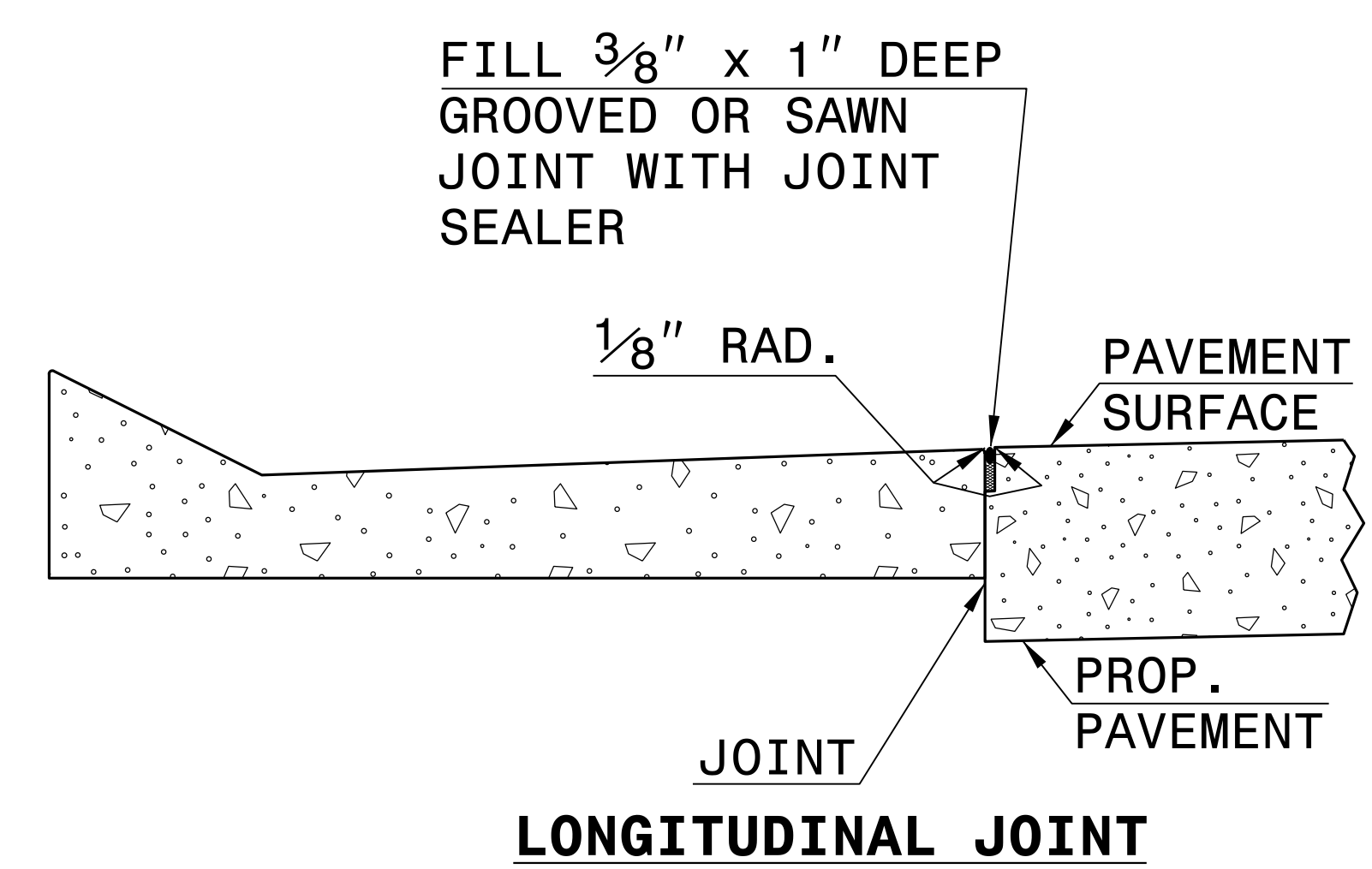
ENGLISH DETAIL DRAWING FOR
**MODIFIED SHOULDER
 BERM GUTTER**

SHEET OF
846D01

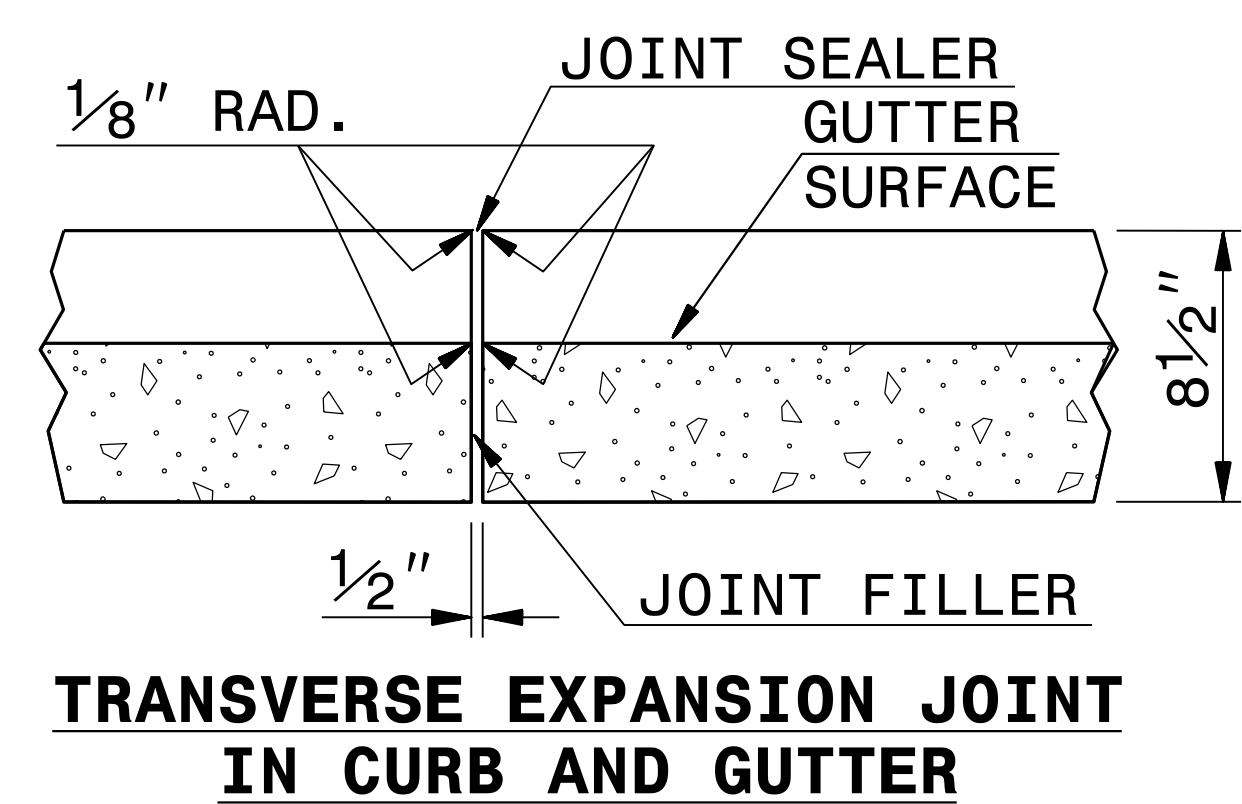


MODIFIED SHOULDER BERM GUTTER

- GENERAL NOTES:**
- PLACE CONTRACTION JOINTS AT 10' INTERVALS, EXCEPT THAT A 15' SPACING MAY BE USED WHEN A MACHINE IS USED OR WHEN SATISFACTORY SUPPORT FOR THE FACE FORM CAN BE OBTAINED WITHOUT THE USE OF TEMPLATES AT 10' INTERVALS.
 - JOINT SPACING MAY BE ALTERED IF REQUIRED BY THE ENGINEER.
 - CONTRACTION JOINTS MAY BE INSTALLED WITH THE USE OF TEMPLATES OR FORMED BY OTHER APPROVED METHODS. CONSTRUCT NON-TEMPLATE FORMED JOINTS A MIN. OF 1 1/2" DEEP.
 - FILL ALL CONSTRUCTION JOINTS WITH JOINT FILLER AND SEALER.
 - SPACE EXPANSION JOINTS AT 90' INTERVALS AND ADJACENT TO ALL RIGID OBJECTS.



LONGITUDINAL JOINT



**TRANSVERSE EXPANSION JOINT
IN CURB AND GUTTER**

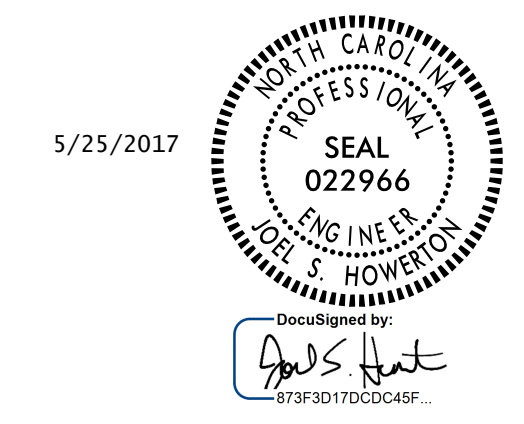
SECTION VIEW OF JOINTS

STATE OF NORTH CAROLINA
 DEPT. OF TRANSPORTATION
 DIVISION OF HIGHWAYS
 RALEIGH, N.C.

ENGLISH DETAIL DRAWING FOR
**MODIFIED SHOULDER
 BERM GUTTER**

SHEET OF
846D01

24-MAY-2017 12:31
 S:\Contracts\Contractsets\Special Details\Howerton\846D01 Modified SBC.dgn
 Howerton AT_CSD-252595



5/25/2017

DOCUMENT NOT CONSIDERED FINAL
UNLESS ALL SIGNATURES COMPLETED

**CONTRACT STANDARDS
AND DEVELOPMENT UNIT**
Office 919-707-6950 FAX 919-250-4119

SEE TITLE BLOCK

| | |
|------------------------------------------------------------|----------------|
| ORIGINAL BY: kkempf | DATE: 11/13/08 |
| MODIFIED BY: | DATE: |
| CHECKED BY: | DATE: |
| FILE SPEC.: special_details/kkempf/english/117x79_tbd1.dgn | |