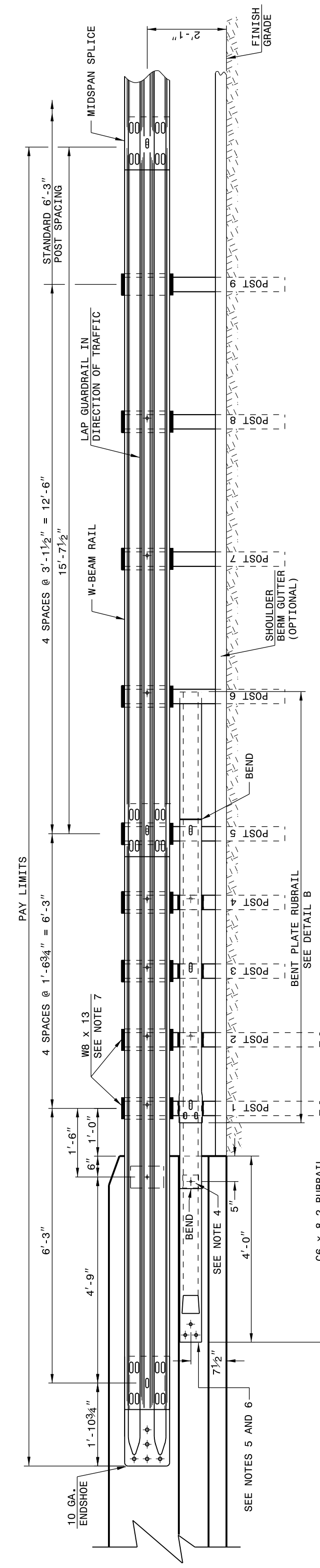


24-MAY-2017 12:45 S:\Contracts\Standard Drawings\2012 Standard Drawings\Division 8\862d01 862d03 862d03\862d03.dgn
 Jhoverton AT:CSU-292595

STATE OF NORTH CAROLINA
DEPT. OF TRANSPORTATION
DIVISION OF HIGHWAYS
RALEIGH, N.C.



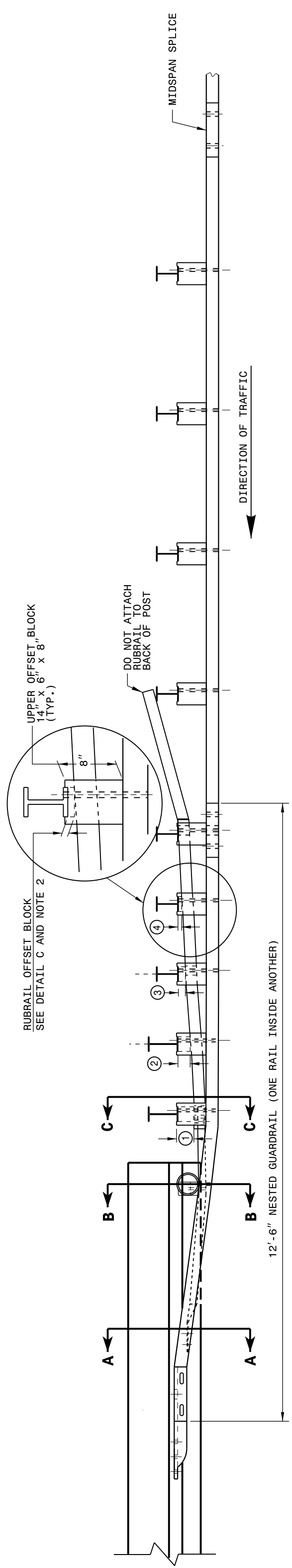
ELEVATION

- GENERAL NOTES:**
- POSTS 1 THROUGH 5 REQUIRE AN ADDITIONAL HOLE TO ATTACH LOWER BLOCKOUTS AND/OR RUBRAIL; RUBRAIL BLOCKOUTS LOCATED ON POSTS 1 THROUGH 4 ARE OFFSET DRILLED AND SECURED WITH 5/8" BUTT WASHERS. RUBRAIL IS SECURED TO POSTS 1 AND 3. RUBRAIL IS SECURED TO POST 5 WITH 5/8" BUTT WASHERS. RUBRAIL IS FLARED TO BACK OF POST 6, AND NOT SECURED.
 - 5/8" x 1 1/4" LONG BUTT WASHERS, RECTANGULAR PLATE WASHER, PLATE WASHER, CLAMETER X 9" LONG. ATTACH TUBE TO GUARDRAIL ONLY WITH 3/8" x 3" LAG BOLT WITH FLAT WASHER.
 - SEE DETAIL D FOR SLOPED RUBRAIL BLOCKOUT. BLOCKOUT IS ATTACHED TO RAIL ELEMENT ONLY. USE 3/8" x 3" LAG BOLT WITH FLAT WASHER.
 - TOE OF THE RUBRAIL END TO BE CONSISTENT WITH THE SLOPE OF THE F SHAPE AND ATTACH FLUSH WITH THE SLOPED RUBRAIL.
 - ANCHOR THE RUBRAIL TO THE RUBRAIL USING THREE 5/8" x 6" CHEMICALLY ANCHORED BOLTS WITH WASHERS. MAXIMUM PROJECTION FOR BOLTS IS 1/2".
 - A 4 BOLT INSERT ASSEMBLY IS ALLOWED ON PRECAST REINFORCED CONCRETE BARRIER (SEE STD. DWG. 857.01).
 - INSTALL THE W-BEAM END SHOE BEHIND THE NESTED W-BEAM ELEMENTS.
 - 1 1/2" DIA. HOLES (TYP.) FOR UNION TO RAIL SECTIONS.
 - POSTS 1 AND 2 ARE W8 X 13, 7'-6" LONG. ALL OTHER POSTS IN THE ANCHOR UNIT ARE W8 X 8.5.

ROADWAY DETAIL DRAWING FOR
STRUCTURE ANCHOR UNIT
FOR F-SHAPE BARRIER

SHEET 4 OF 7
862D03

PLAN



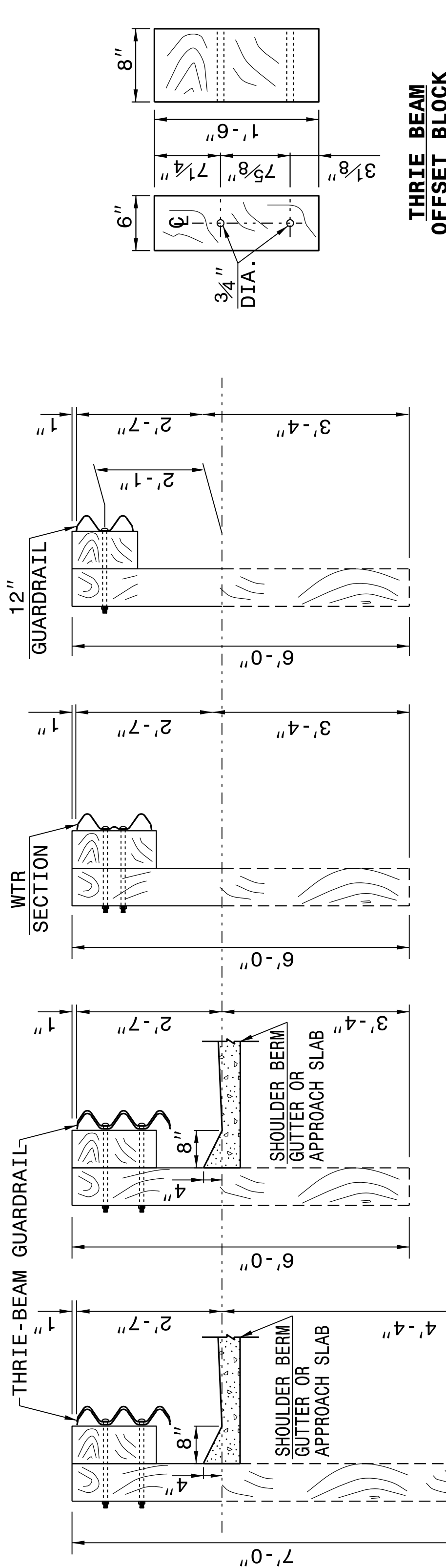
GUARDRAIL ANCHOR UNIT TYPE B-77

SHEET 4 OF 7
862D03

STATE OF NORTH CAROLINA
DEPT. OF TRANSPORTATION
DIVISION OF HIGHWAYS
RALEIGH, N.C.

ROADWAY DETAIL DRAWING FOR
GUARDRAIL ANCHOR UNIT
GUARDRAIL ANCHOR UNIT TYPE B-77
FOR F-SHAPE BARRIER

STATE OF NORTH CAROLINA
DEPT. OF TRANSPORTATION
DIVISION OF HIGHWAYS
RALEIGH, N.C.



ROADWAY DETAIL DRAWING FOR
STRUCTURE ANCHOR UNITS
GUARDRAIL ANCHOR UNIT, TYPE III

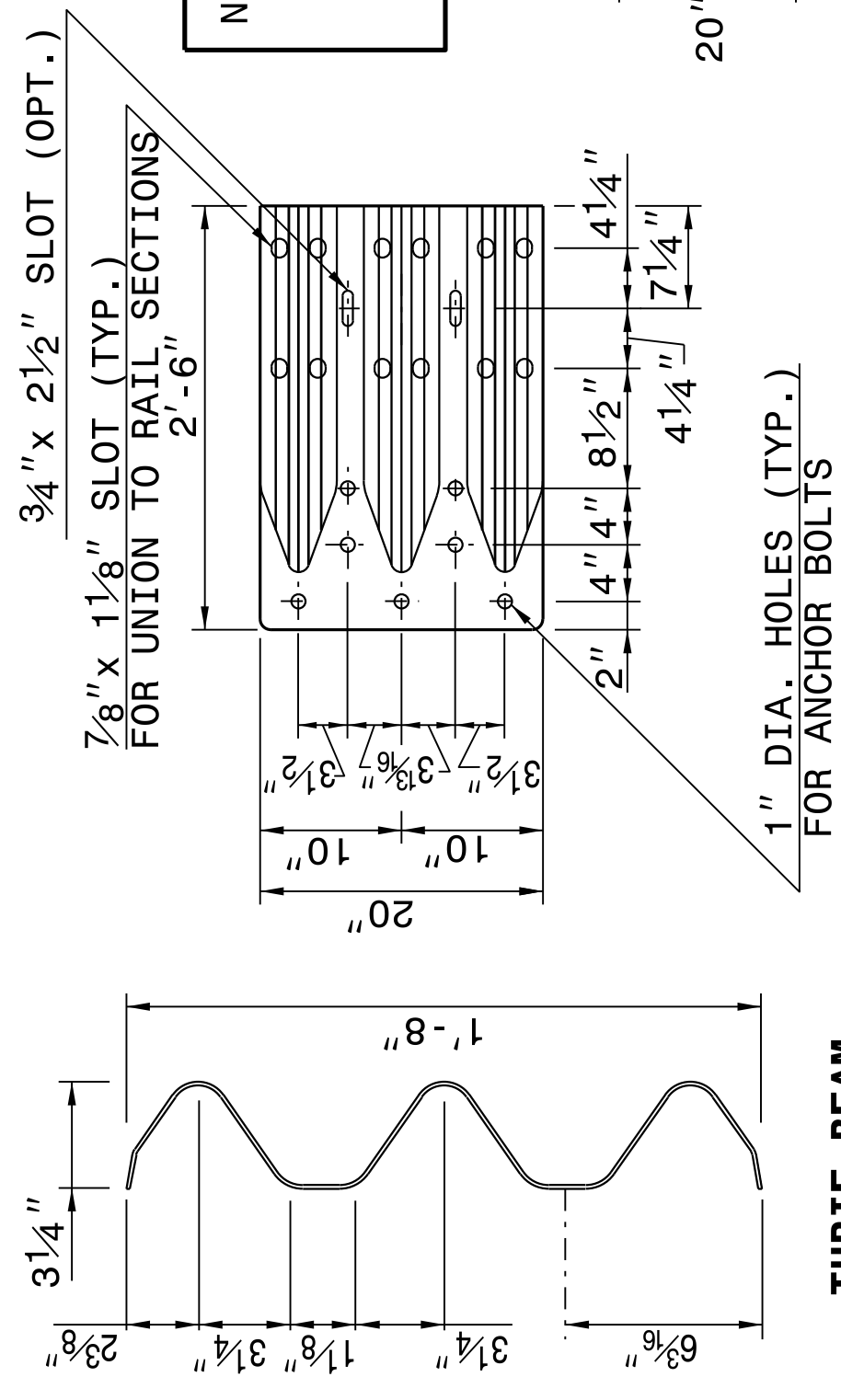
SHEET 3 OF 7
862D03

STATE OF NORTH CAROLINA
DEPT. OF TRANSPORTATION
DIVISION OF HIGHWAYS
RALEIGH, N.C.

ROADWAY DETAIL DRAWING FOR
STRUCTURE ANCHOR UNITS
GUARDRAIL ANCHOR UNIT, TYPE III

SHEET 3 OF 7
862D03

NOTE: THE MID POST AND OFFSET BLOCK OF SPECIAL BOLT HOLE DRILLING IN THE THRIE BEAM OFFSET BLOCK AND LINE POST.

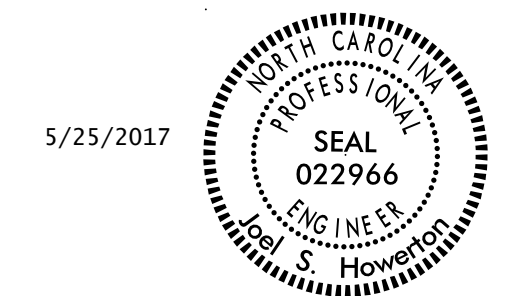


THRIE-BEAM SECTION

END SHOE

WTR SECTION ELEVATION VIEW

THRIE BEAM LINE POST



5/25/2017

DOCUMENT NOT CONSIDERED FINAL UNLESS ALL SIGNATURES COMPLETED

SEE TITLE BLOCK

CONTRACT STANDARDS AND DEVELOPMENT UNIT
Office 919-707-6950 FAX 919-250-4119

ORIGINAL BY: J HOWERTON	DATE: 06-22-12
MODIFIED BY:	DATE:
CHECKED BY:	DATE:
FILE SPEC.:	DATE: