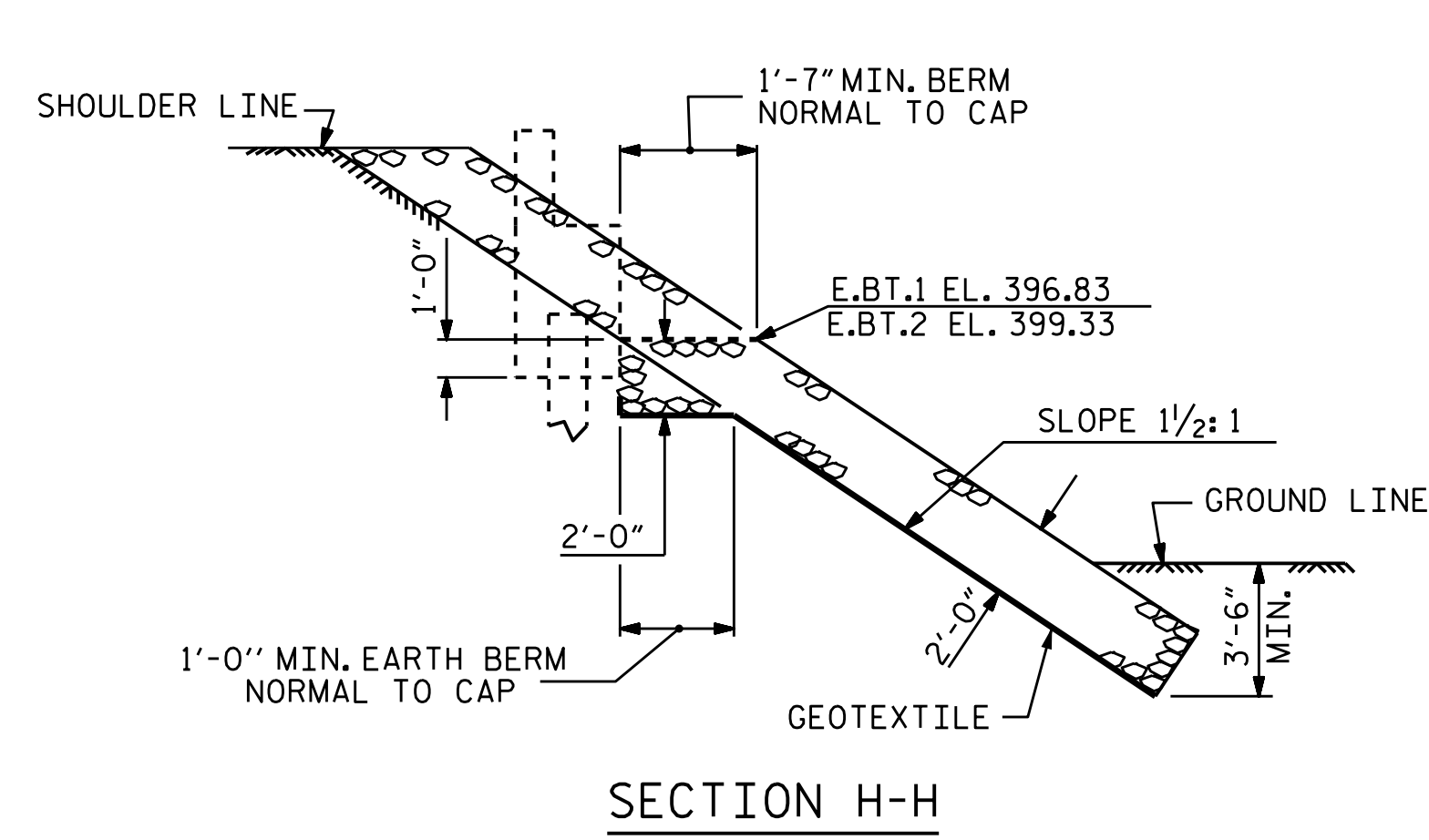
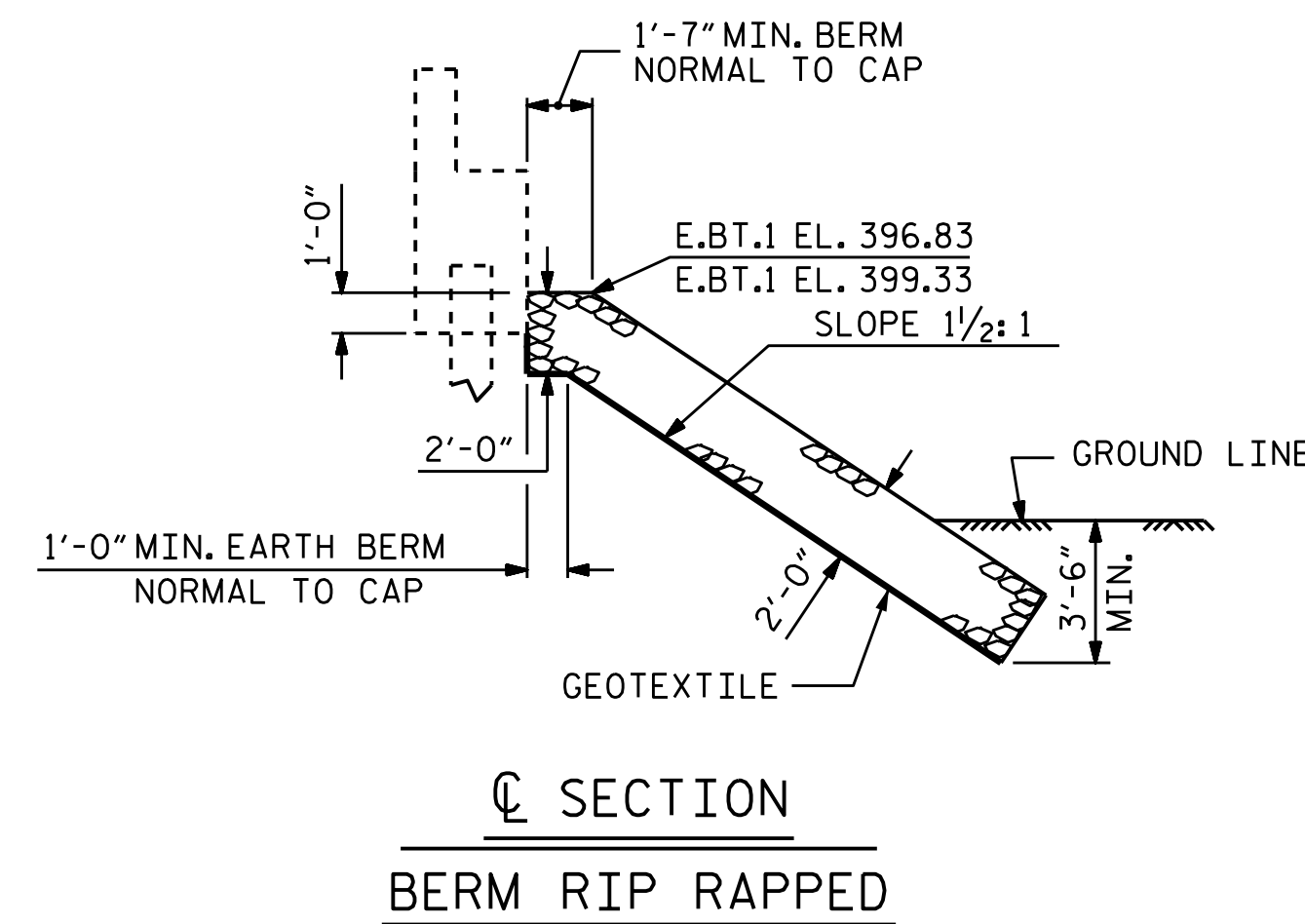


PLAN

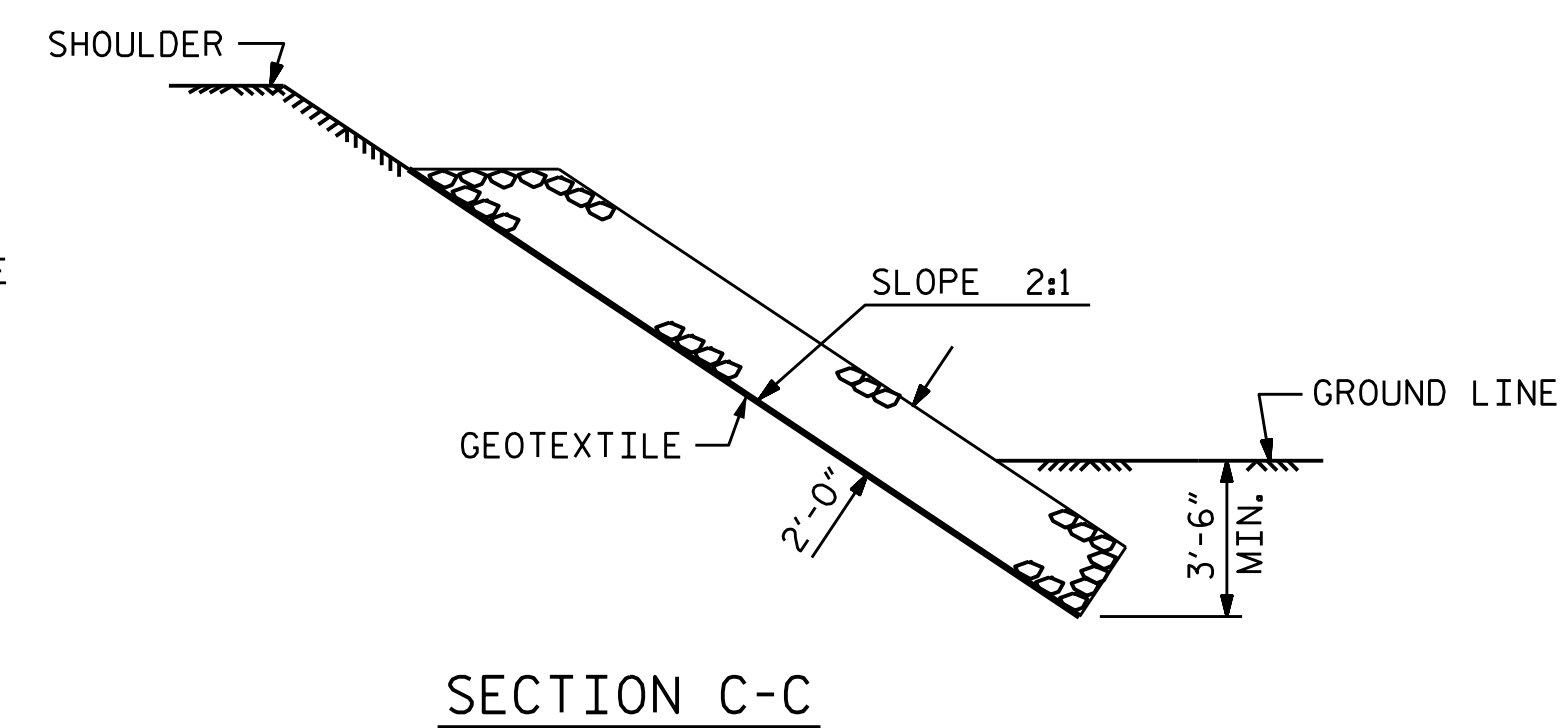
ESTIMATED QUANTITIES		
BRIDGE @ STA. 14+50.50 -L-	RIP RAP CLASS II (2'-0" THICK)	GEOTEXTILE FOR DRAINAGE
	TONS	SQUARE YARDS
END BENT 1	155	170
END BENT 2	115	125



SECTION H-H

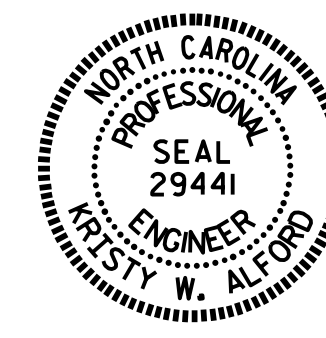


SECTION C-C  
BERM RIP RAPPED



SECTION C-C

PROJECT NO. B-5348  
ORANGE COUNTY  
 STATION: 14+50.50 -L-



STATE OF NORTH CAROLINA  
 DEPARTMENT OF TRANSPORTATION  
 RALEIGH  
 STANDARD  
 RIP RAP DETAILS

ASSEMBLED BY : H.B. DESAI DATE : 9/26/16  
 CHECKED BY : J.P. MCCARTHA DATE : -  
 DRAWN BY : REK 1/84 REV. 5/1/06R TLA/GM  
 CHECKED BY : ROU 1/84 REV. 10/1/11 MAA/GM  
 REV. 12/21/11 MAA/GM

DOCUMENT NOT CONSIDERED  
 FINAL UNLESS ALL  
 SIGNATURES COMPLETED

REVISIONS						SHEET NO.	
NO.	BY:	DATE:	NO.	BY:	DATE:	S-19	
1			3			TOTAL SHEETS	
2			4			19	