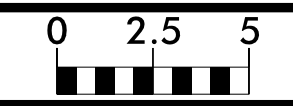
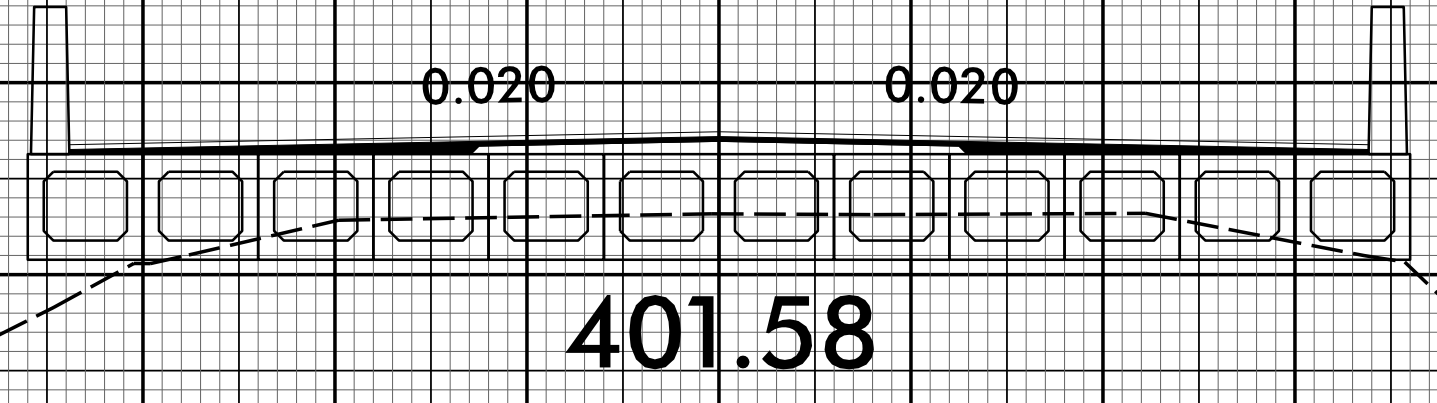
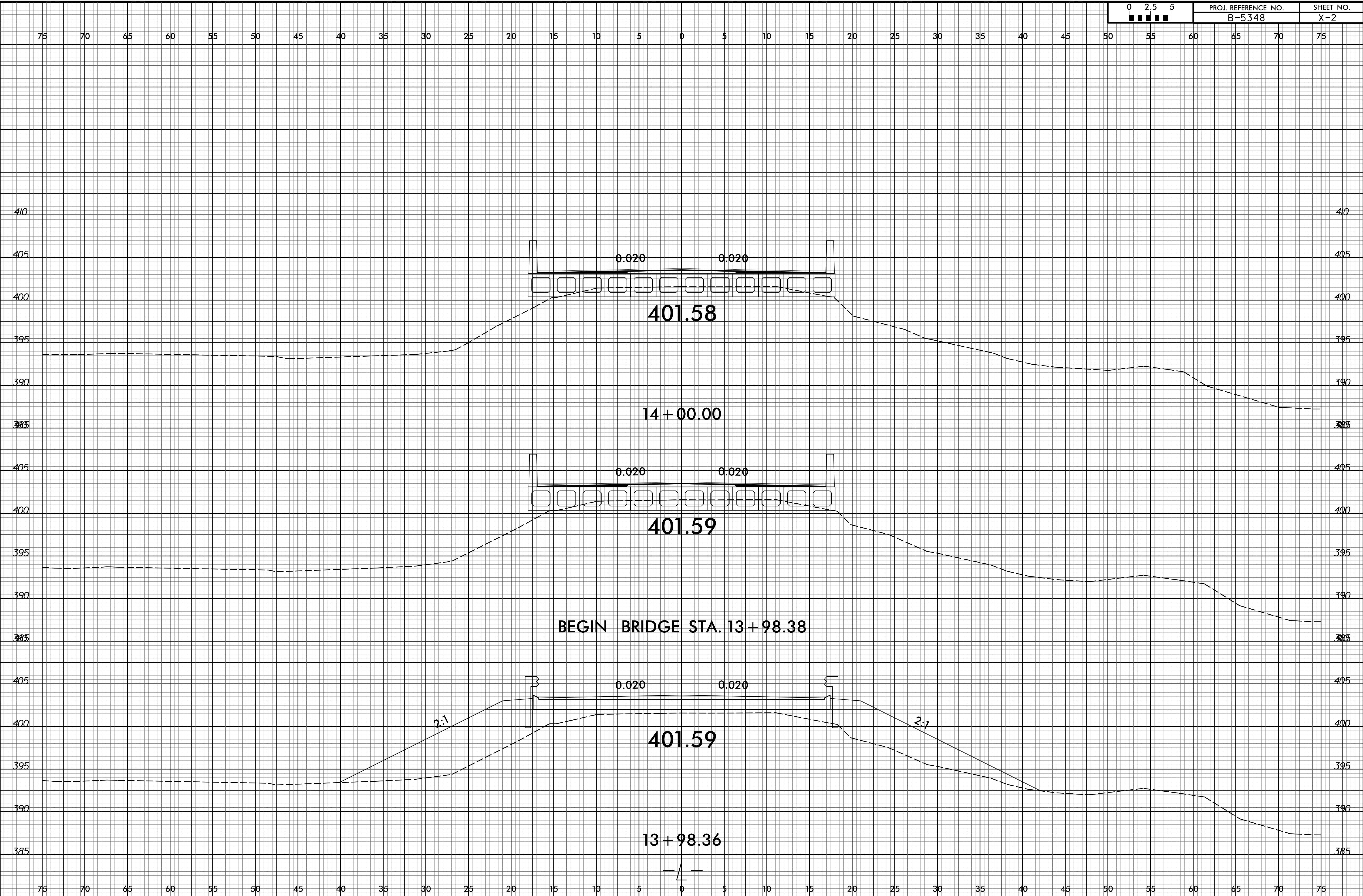


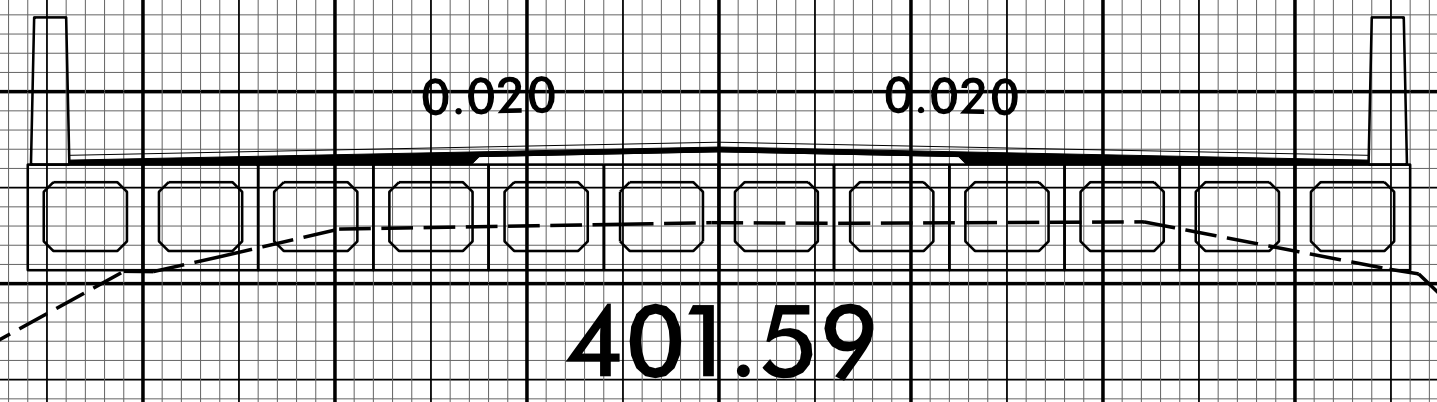
6/23/16



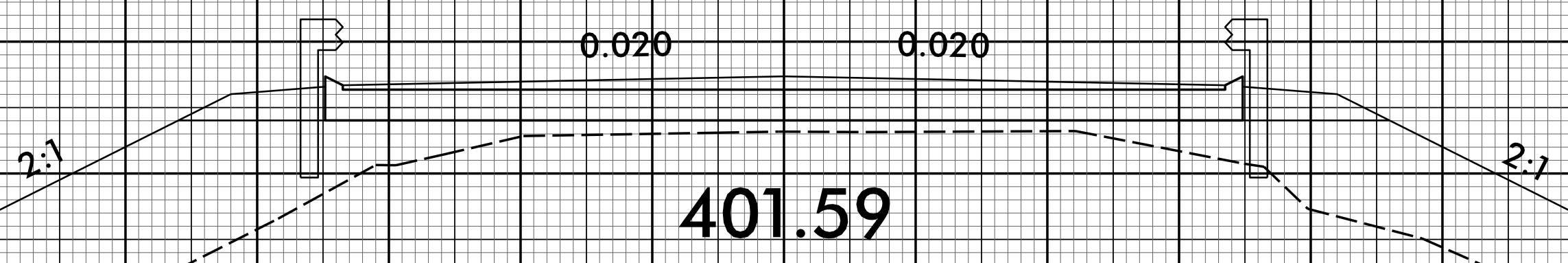
PROJ. REFERENCE NO. B-5348	SHEET NO. X-2
-------------------------------	------------------



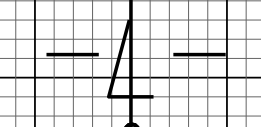
14 + 00.00



BEGIN BRIDGE STA. 13 + 98.38



13 + 98.36



07-JUN-2017 08:41  
 P:\PROJECTS\B5348-Fdu-xpl.dgn  
 B5348-Fdu-xpl.dwg