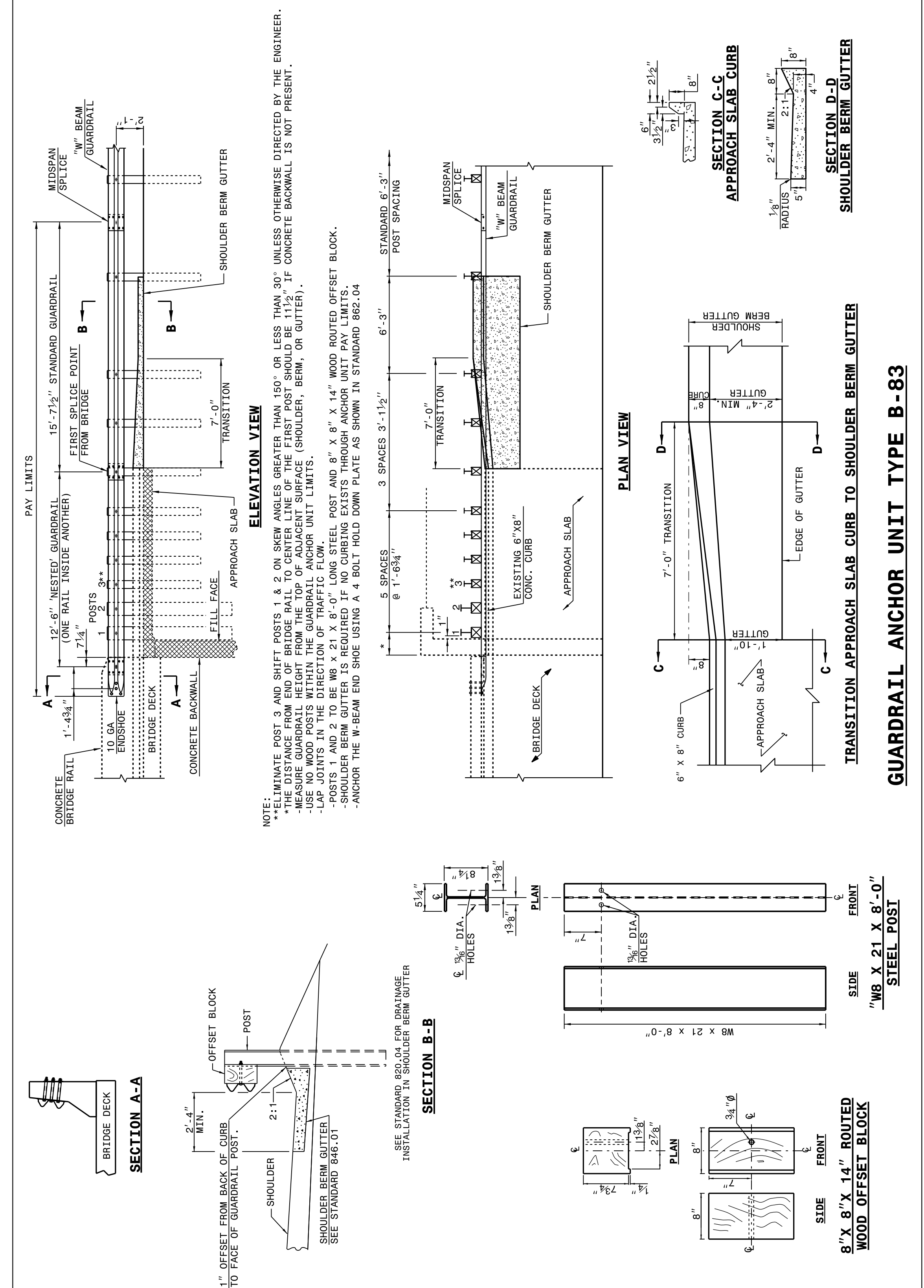


3-MAY-2017 11:32 S:\Contracts\Special Details\Howerton\Standard Drawings\2012 Standard Drawings\Division 8\862d01 862d03 862d03 862d03.dgn
 J:\Howerton AT_CSD-292595

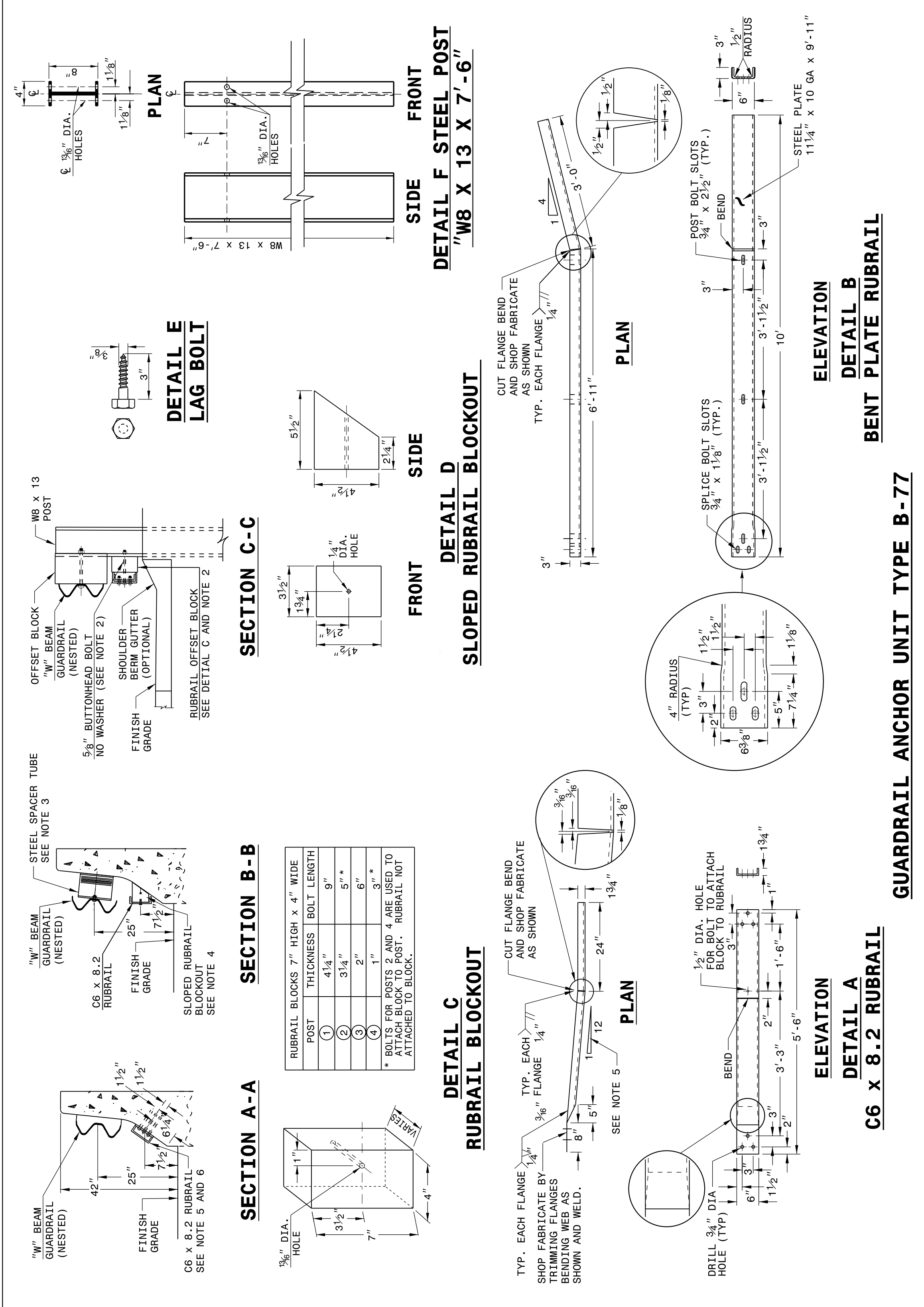
ROADWAY DETAIL DRAWING FOR
STRUCTURE ANCHOR UNITS
 GUARDRAIL ANCHOR UNIT TYPE B-83



ROADWAY DETAIL DRAWING FOR
STRUCTURE ANCHOR UNITS
 GUARDRAIL ANCHOR UNIT TYPE B-83

SHEET 6 OF 7
862D03

ROADWAY DETAIL DRAWING FOR
STRUCTURE ANCHOR UNIT
 GUARDRAIL ANCHOR UNIT TYPE B-77
 FOR F-SHAPE BARRIER



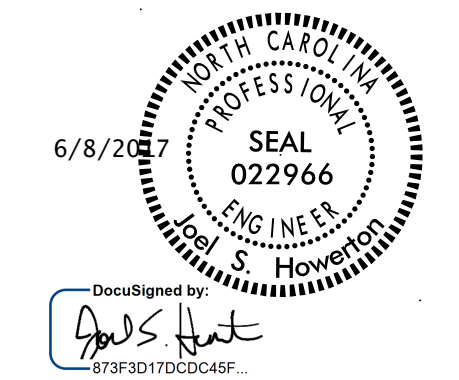
ROADWAY DETAIL DRAWING FOR
STRUCTURE ANCHOR UNIT
 GUARDRAIL ANCHOR UNIT TYPE B-77
 FOR F-SHAPE BARRIER

SHEET 5 OF 7
862D03

CONTRACT STANDARDS AND DEVELOPMENT UNIT
 Office 919-707-6950 FAX 919-250-4119

SEE TITLE BLOCK

ORIGINAL BY: J HOWERTON	DATE: 06-22-12
MODIFIED BY:	DATE:
CHECKED BY:	DATE:
FILE SPEC.:	



DOCUMENT NOT CONSIDERED FINAL
 UNLESS ALL SIGNATURES COMPLETED