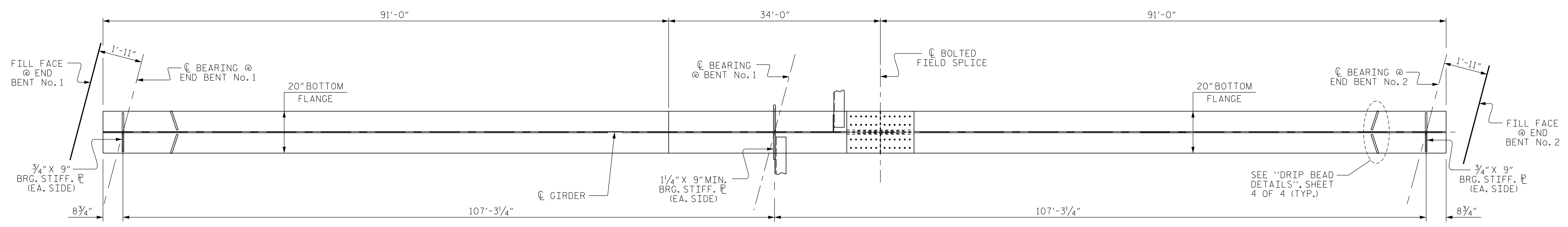


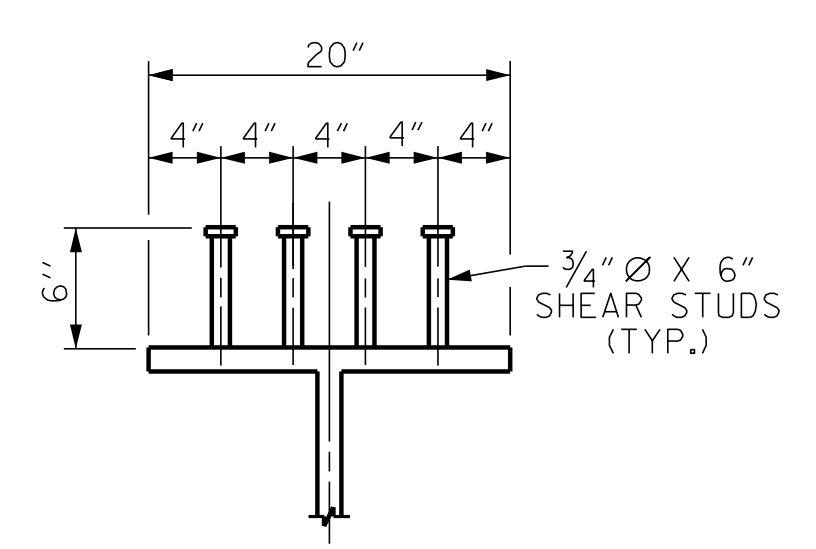
ELEVATION OF GIRDER

(FOR CLARITY, INTERMEDIATE CONNECTOR PL'S NOT SHOWN, FOR PLACEMENT, SEE "FRAMING PLAN" SHEET.)

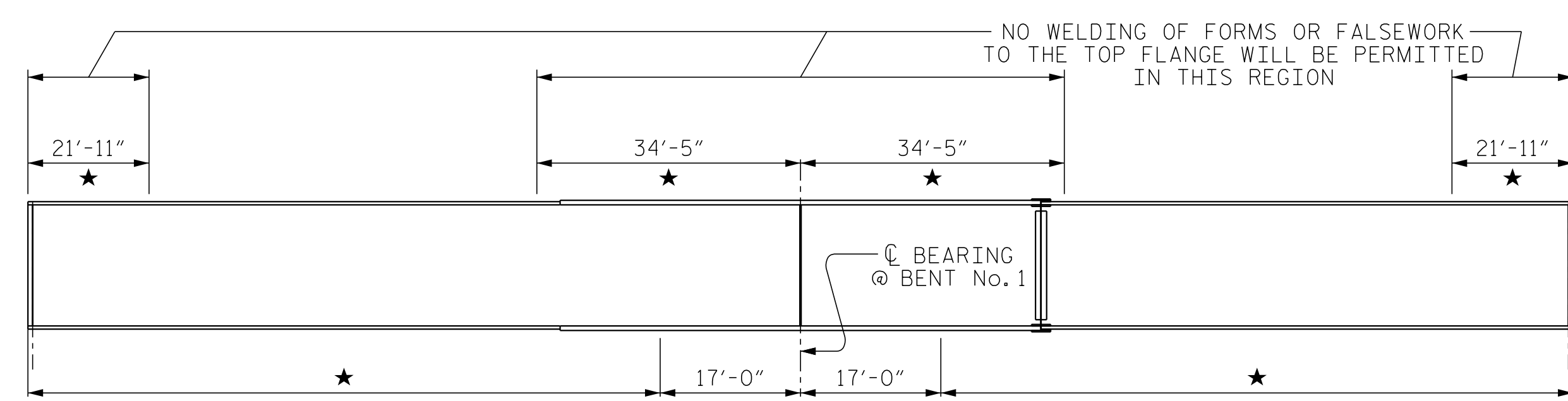


BOTTOM FLANGE DETAIL

(FOR CLARITY, INTERMEDIATE CONNECTOR PL'S NOT SHOWN, FOR PLACEMENT, SEE "FRAMING PLAN" SHEET.)



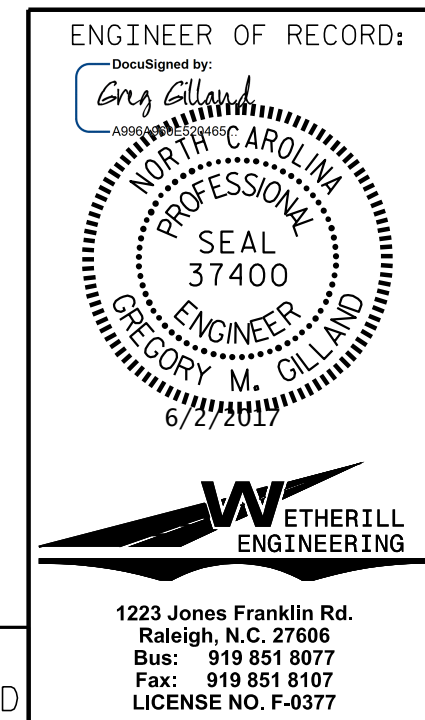
SHEAR STUD DETAILS
(TYP. EA. GIRDER)



CHARPY V-NOTCH TESTS FOR CONTINUOUS PLATE GIRDERS

* CHARPY V-NOTCH TESTS ARE REQUIRED FOR ALL TOP OR BOTTOM FLANGE PLATES WHICH FALL WITHIN THESE LIMITS. CHARPY V-NOTCH TEST ARE REQUIRED FOR ALL WEB PLATES AND ALL SPLICE PLATES. IF A PERMITTED SHOP FLANGE SPLICE IS NOT USED, CHARPY V-NOTCH TESTS WILL BE REQUIRED FOR THE ENTIRE FLANGE PLATE. FOR CHARPY V-NOTCH TESTS, SEE ARTICLE 1072-7 OF THE STANDARD SPECIFICATIONS.

PROJECT NO. I-5786
JOHNSTON COUNTY
 STATION: 20+25.64 -Y4-
 SHEET 1 OF 4



STATE OF NORTH CAROLINA DEPARTMENT OF TRANSPORTATION RALEIGH		SUPERSTRUCTURE STRUCTURAL STEEL DETAILS	
REVISIONS			
NO.	BY:	DATE:	SHEET NO.
1			S02-10
2			TOTAL SHEETS 31

DRAWN BY: D. HODGE DATE: 4/17
 CHECKED BY: B.C. HUNT DATE: 4/17

DOCUMENT NOT CONSIDERED FINAL
 UNLESS ALL SIGNATURES COMPLETED

P:\2017\I-5786\Structures\DMNBizell\Grove_Y4_I-5786_Y4_SS_WE I.dgn
 6/11/2017 2:24:49 PM