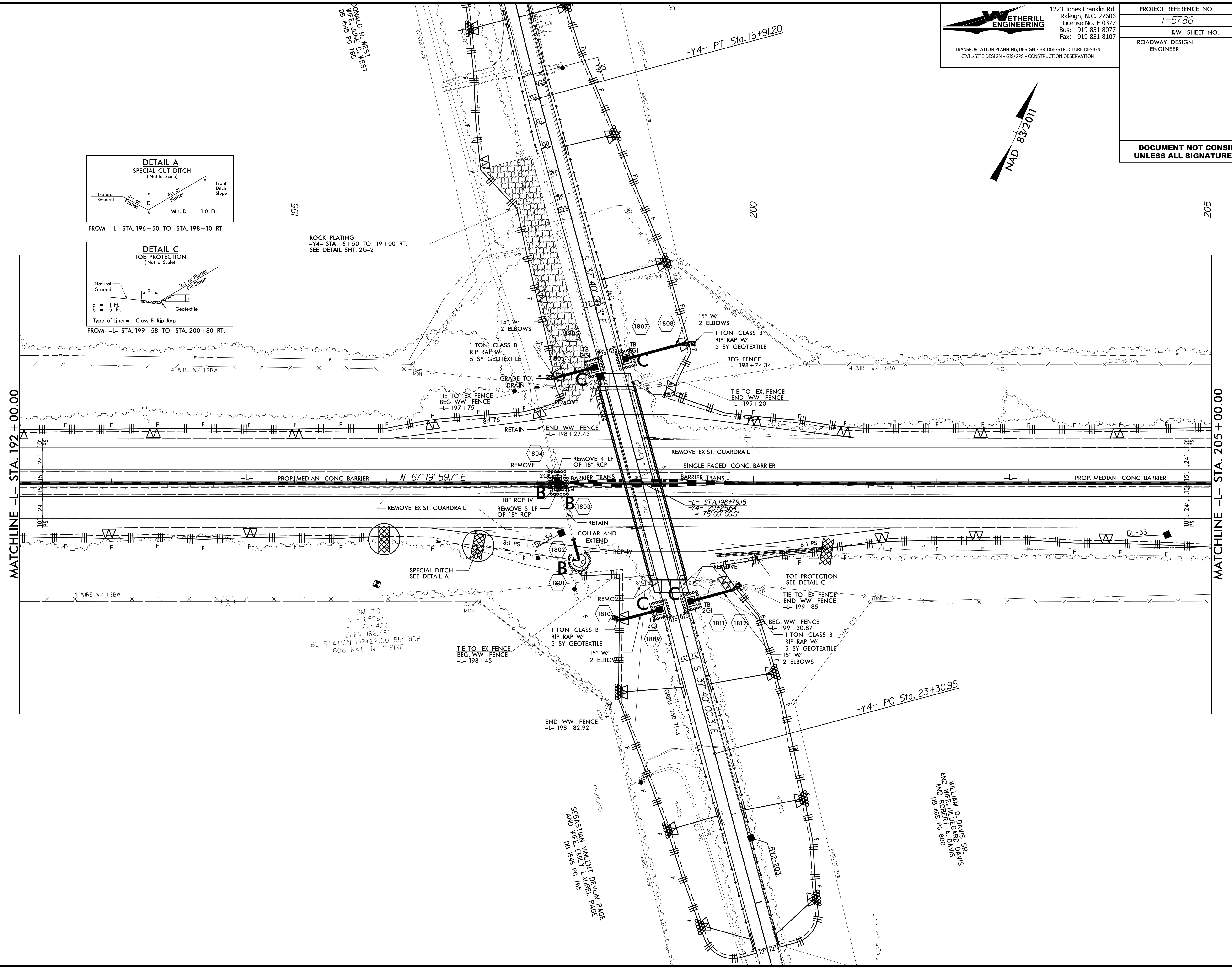
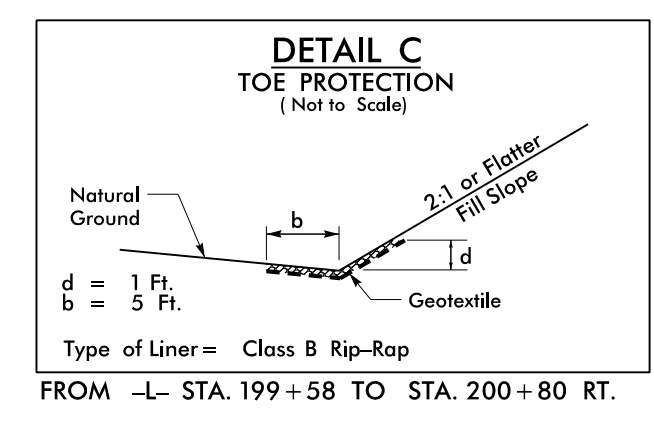
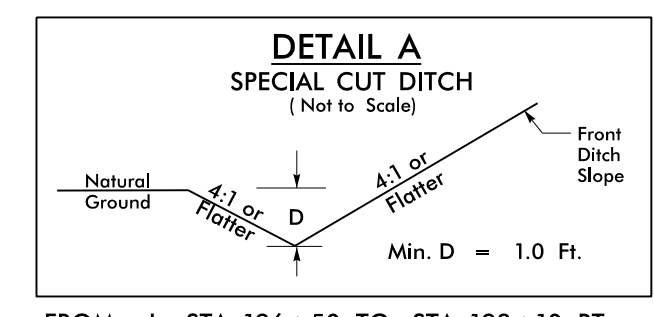


5/14/99

**ETHERILL ENGINEERING**  
 TRANSPORTATION PLANNING/DESIGN • BRIDGE/STRUCTURE DESIGN  
 CIVIL/SITE DESIGN - GIS/GPS - CONSTRUCTION OBSERVATION

1223 Jones Franklin Rd.  
 Raleigh, N.C. 27606  
 License No. F-0377  
 Bus: 919 851 8077  
 Fax: 919 851 8107

PROJECT REFERENCE NO. <b>1-5786</b>	SHEET NO. <b>EC-51/CONST.1B</b>
RW SHEET NO.	
ROADWAY DESIGN ENGINEER	HYDRAULICS ENGINEER
<b>DOCUMENT NOT CONSIDERED FINAL UNLESS ALL SIGNATURES COMPLETED</b>	



DONALD R. WEST  
 WIFE: JUNE C. WEST  
 DB 1545 PC 165

ROCK PLATING  
 -Y4- STA. 16+50 TO 19+00 RT.  
 SEE DETAIL SHT. 2G-2

TBM #10  
 N - 659871  
 E - 2241422  
 ELEV 186.45'  
 BL STATION 192+22.00 55' RIGHT  
 60d NAIL IN 17" PINE

TIE TO EX FENCE  
 BEG. WW FENCE  
 -L- 198+45

SEBASTIAN VINCENT DEMLIN PAGE  
 AND WIFE: EMILY LABEL PAGE  
 DB 1545 PC 165

WILLIAM O. DAVIS SR.  
 AND WIFE: HILDEGARD DAVIS  
 AND WIFE: EMILY LABEL PAGE  
 DB 1545 PC 165

MATCHLINE -L- STA. 192+00.00

MATCHLINE -L- STA. 205+00.00

5/14/99