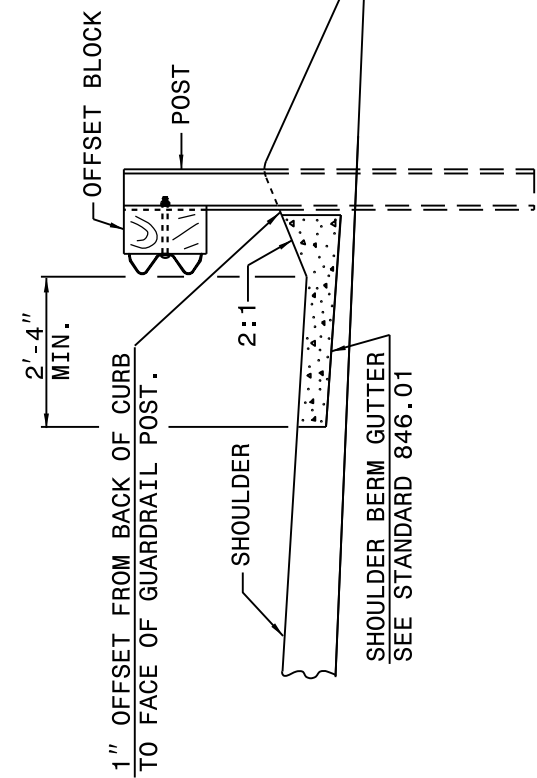
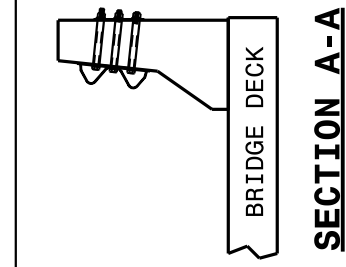


04-MAY-2017 15:04 S:\Contracts\Contractors\Special Details\Standard Drawings\Division 8\862d01 862d03 862d03 862d03.dgn
 J. Howerton A: CS0-272595

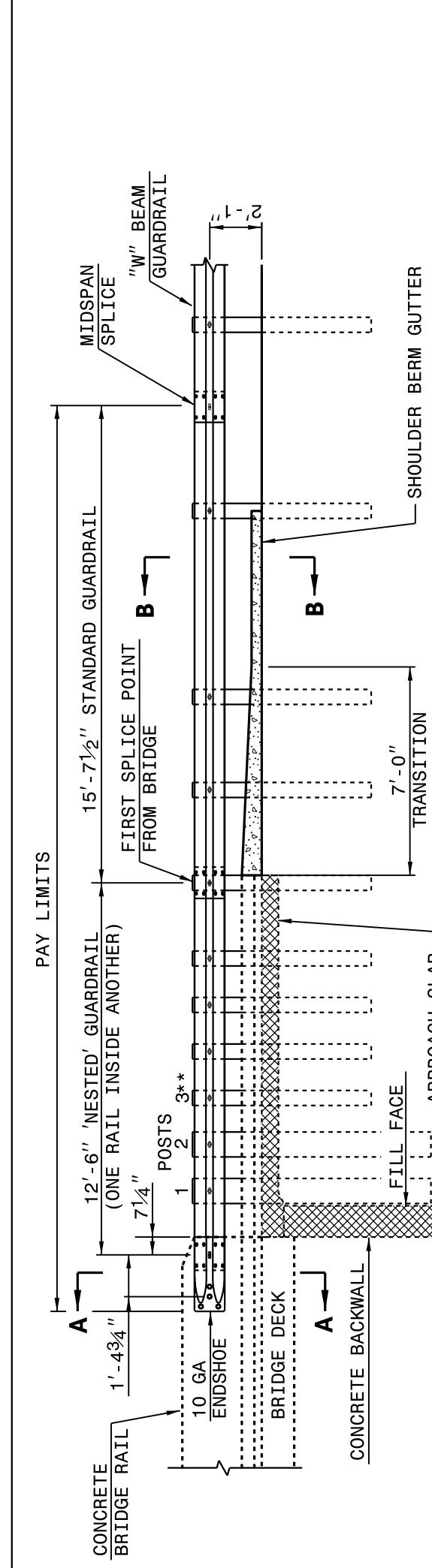
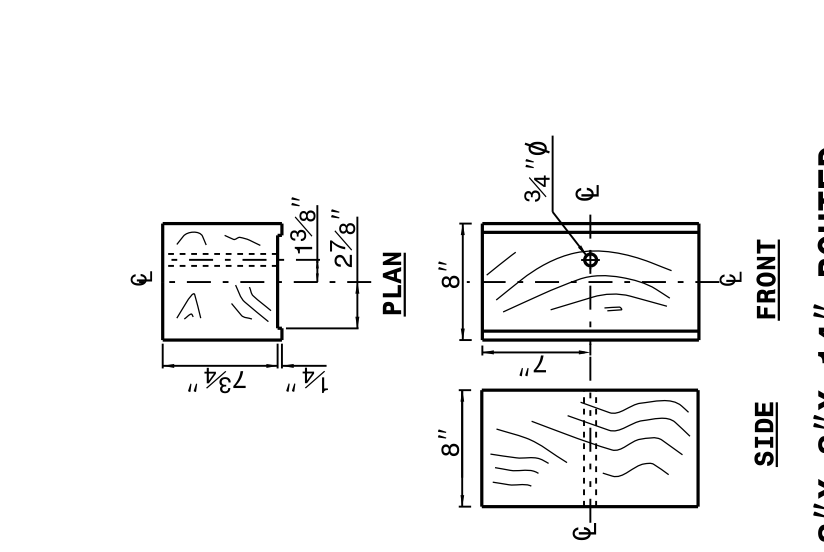
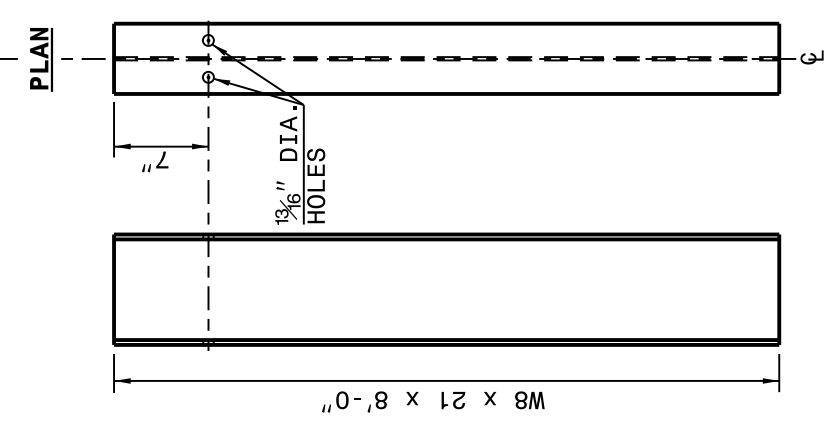
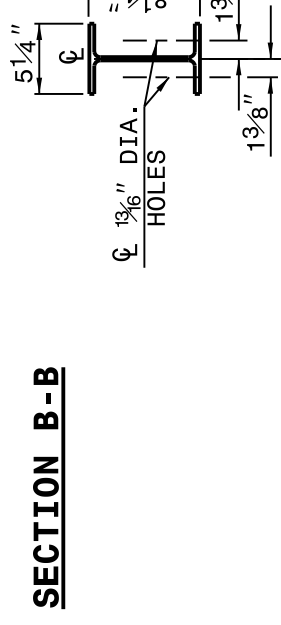
STATE OF
 NORTH CAROLINA
 DEPT. OF TRANSPORTATION
 DIVISION OF HIGHWAYS
 RALEIGH, N.C.

ROADWAY DETAIL DRAWING FOR
STRUCTURE ANCHOR UNITS
 GUARDRAIL ANCHOR UNIT TYPE B-83

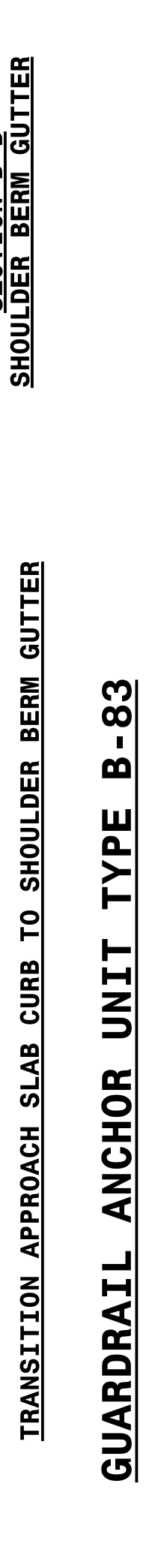
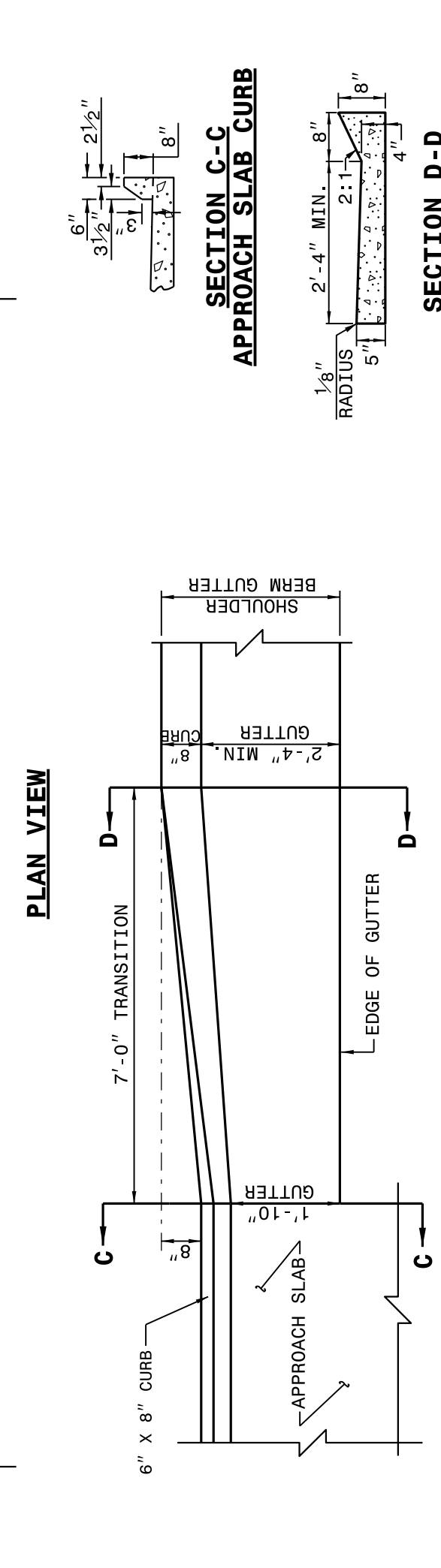
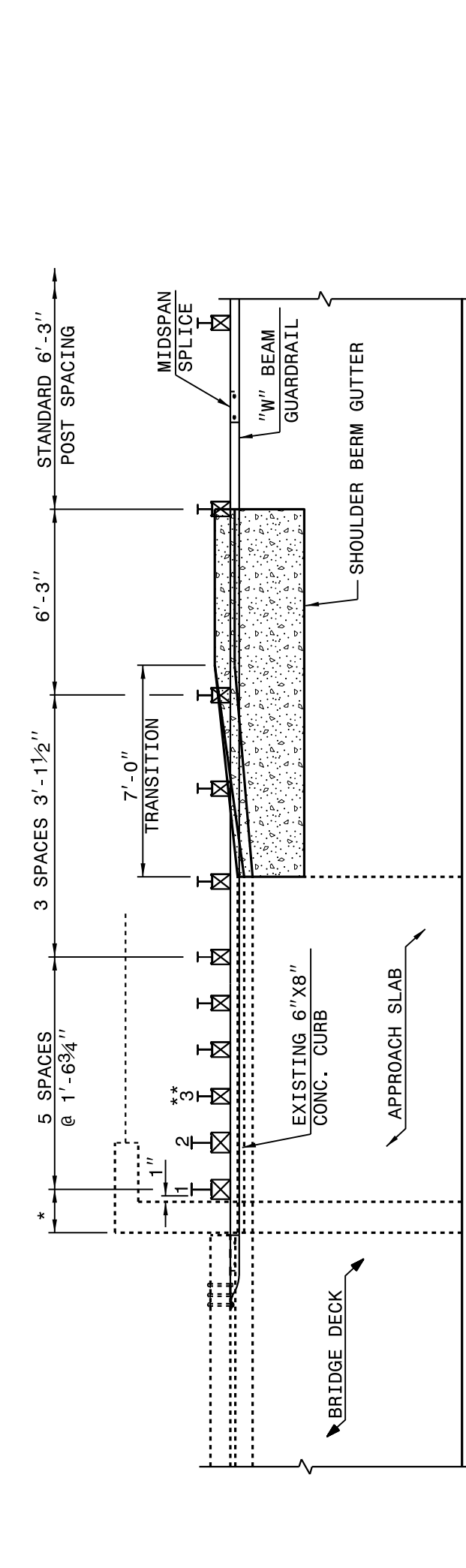
SHEET 6 OF 7
862D03



SEE STANDARD 820.04 FOR DRAINAGE INSTALLATION IN SHOULDER BERM GUTTER



NOTE:
 1- MINUTE POST 3 AND SHIRT POSTS 1 & 2 ON SKEW ANGLES GREATER THAN 15° OR LESS THAN 30° UNLESS OTHERWISE DIRECTED BY THE ENGINEER.
 2- THE WOOD BLOCK SHALL BE INSTALLED TO THE TOP OF THE GUARDRAIL ANCHOR UNIT.
 3- MEASURE GUARDRAIL HEIGHT FROM THE TOP OF ADJACENT SURFACE (SHOULDER, BERM, OR GUTTER).
 4- USE NO WOOD POSTS WITHIN THE GUARDRAIL ANCHOR UNIT LIMITS.
 5- LAP JOINTS IN THE DIRECTION OF TRAFFIC FLOW.
 6- POSTS 1 AND 2 TO BE W8 x 21 x 8'-0" LONG STEEL POST AND 8' x 8' x 14" WOOD ROUTED OFFSET BLOCK.
 7- SHOULDER BERM GUTTER IS REQUIRED IF NO CURBING EXISTS THROUGH ANCHOR UNIT PAY LIMITS.
 8- ANCHOR THE W-BEAM END SHOE USING A 4 BOLT HOLD DOWN PLATE AS SHOWN IN STANDARD 862.04



STATE OF
 NORTH CAROLINA
 DEPT. OF TRANSPORTATION
 RALEIGH, N.C.

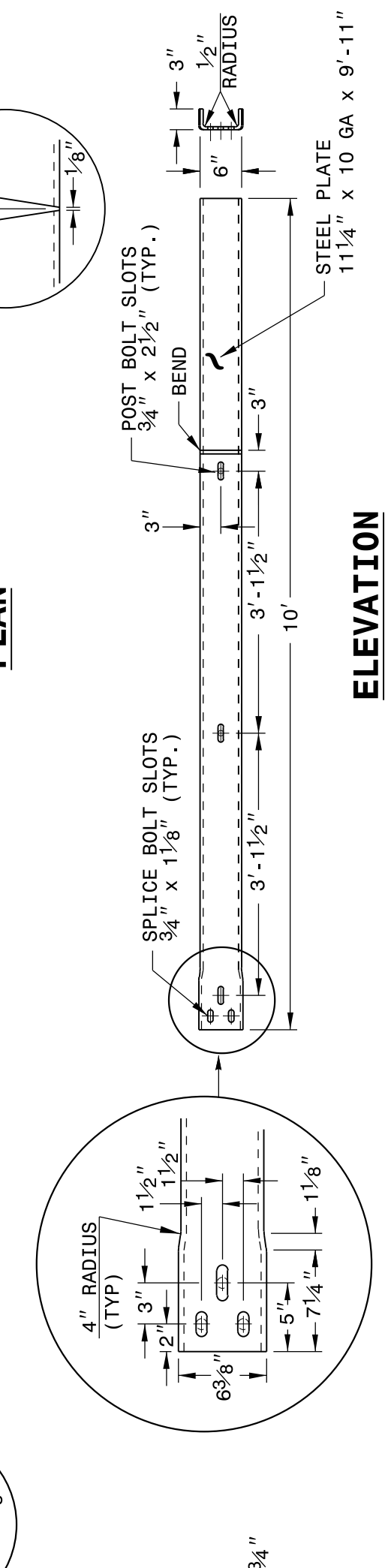
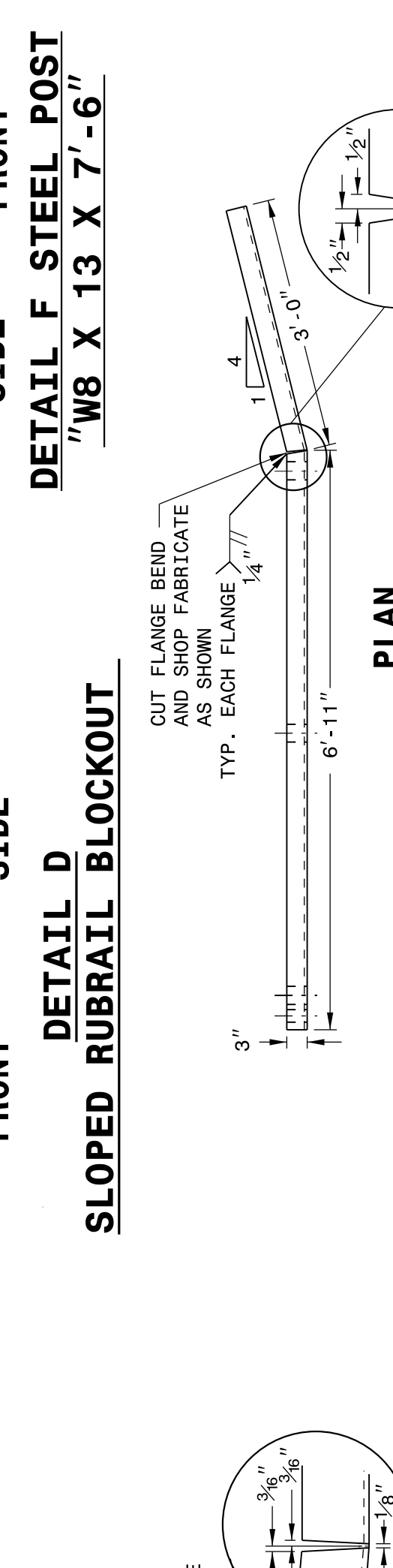
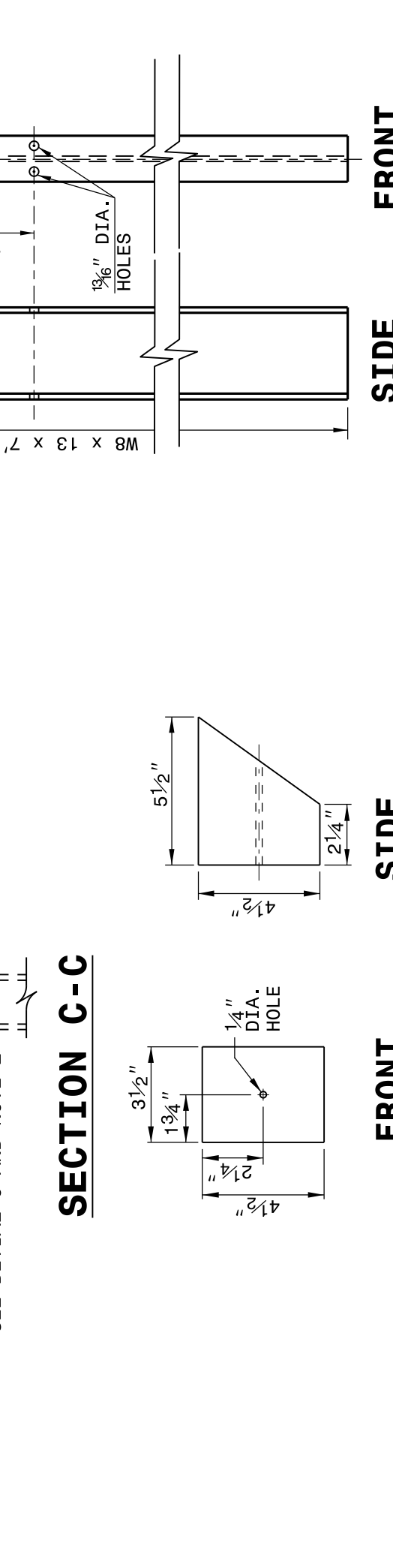
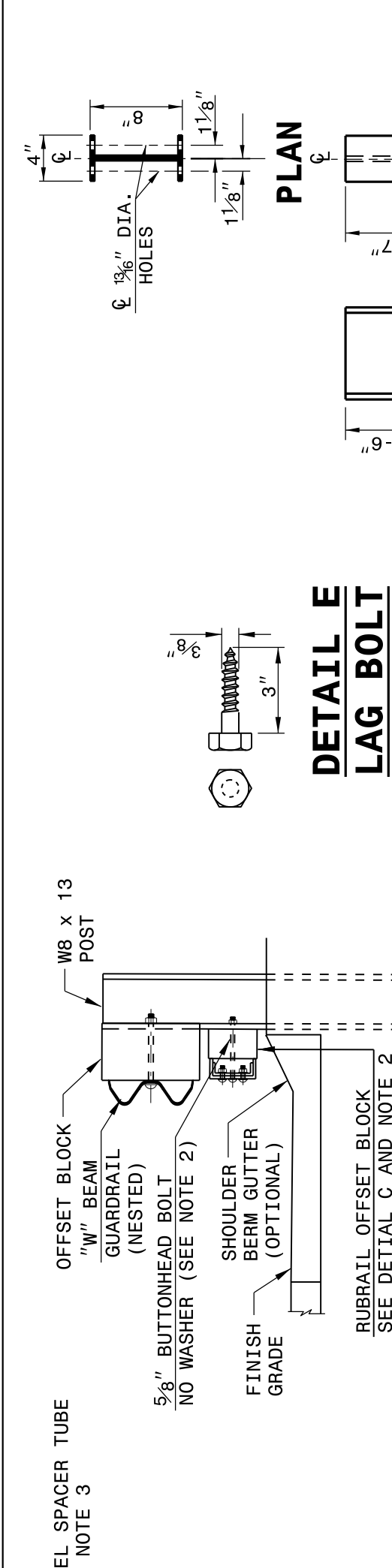
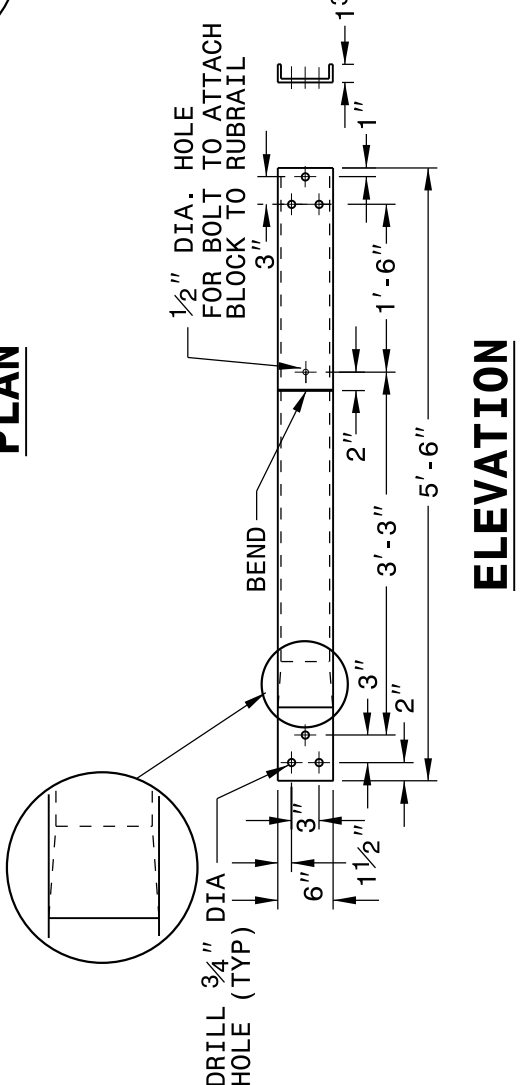
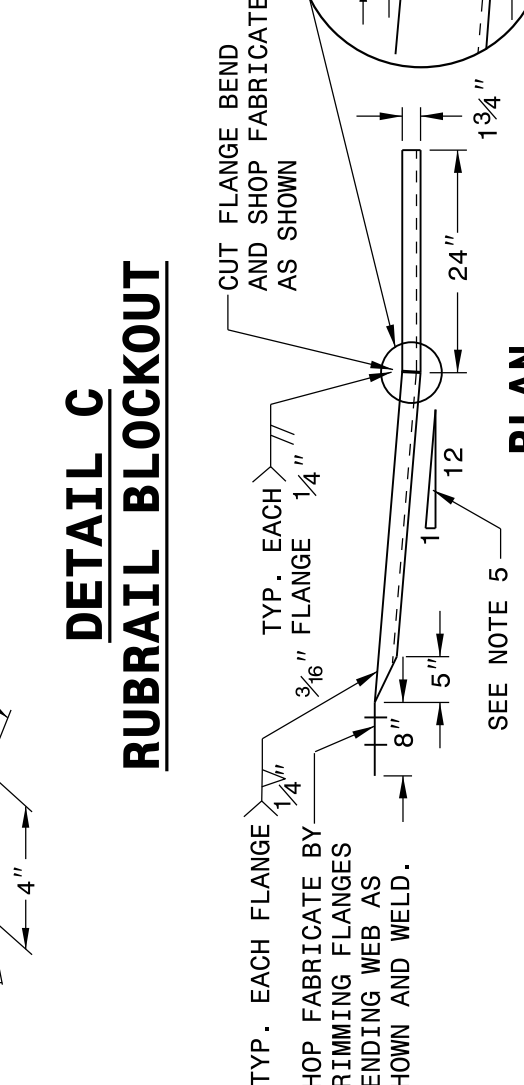
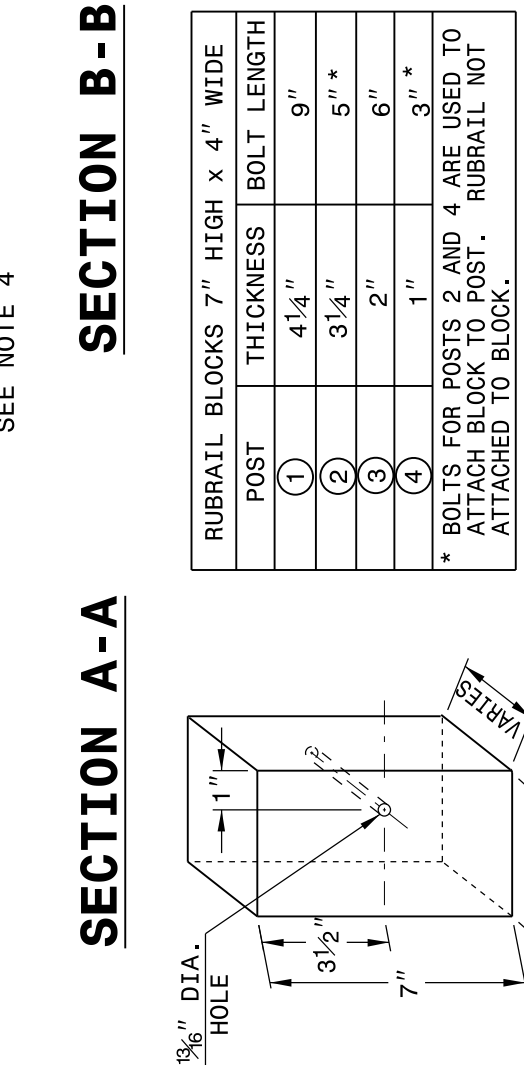
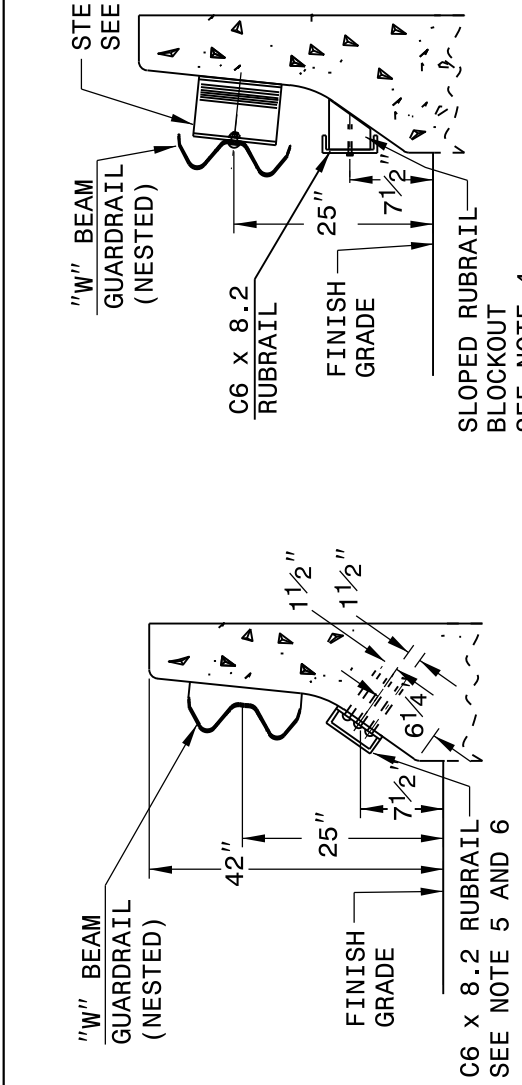
ROADWAY DETAIL DRAWING FOR
STRUCTURE ANCHOR UNITS
 GUARDRAIL ANCHOR UNIT TYPE B-83

SHEET 6 OF 7
862D03

STATE OF
 NORTH CAROLINA
 DEPT. OF TRANSPORTATION
 DIVISION OF HIGHWAYS
 RALEIGH, N.C.

ROADWAY DETAIL DRAWING FOR
STRUCTURE ANCHOR UNIT
 GUARDRAIL ANCHOR UNIT TYPE B-77
 FOR F-SHAPE BARRIER

SHEET 5 OF 7
862D03



STATE OF
 NORTH CAROLINA
 DEPT. OF TRANSPORTATION
 RALEIGH, N.C.

ROADWAY DETAIL DRAWING FOR
STRUCTURE ANCHOR UNIT
 GUARDRAIL ANCHOR UNIT TYPE B-77
 FOR F-SHAPE BARRIER

SHEET 5 OF 7
862D03

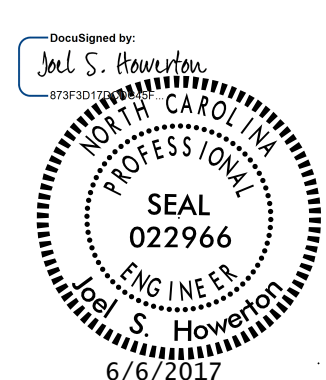
ORIGINAL BY: J. HOWERTON DATE: 06-22-12
 MODIFIED BY: DATE:
 CHECKED BY: DATE:
 FILE SPEC.:

CONTRACT STANDARDS
 AND DEVELOPMENT UNIT
 Office 919-707-6950 FAX 919-250-4119

SEE TITLE BLOCK

PROJECT REFERENCE NO.
 I-5786

SHEET NO.
 2C-13



DOCUMENT NOT CONSIDERED FINAL
 UNLESS ALL SIGNATURES COMPLETED