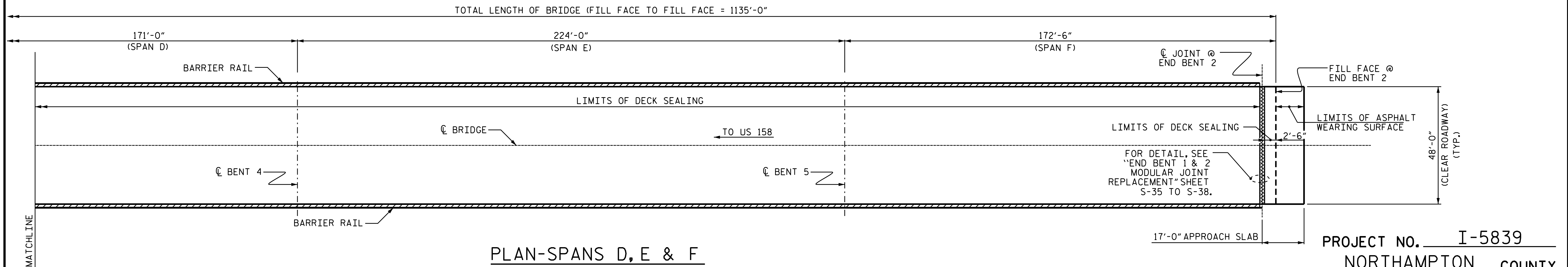
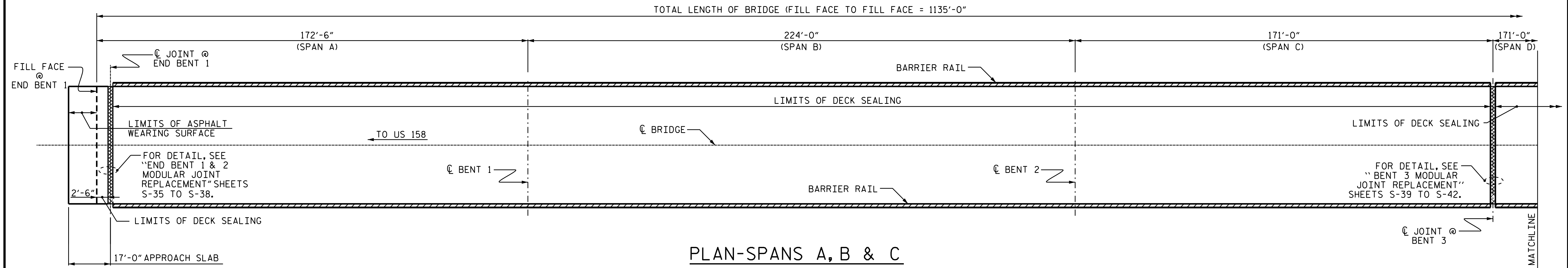


**NOTE:**


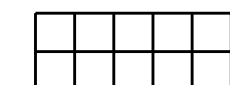

\* CONCRETE DECK REPAIR FOR CRACK SEALING IS NOT ANTICIPATED. TOKEN PAY ITEMS ARE INDICATED FOR PRICING PURPOSE IN CASE UNANTICIPATED REPAIR AREAS ARE ENCOUNTERED.

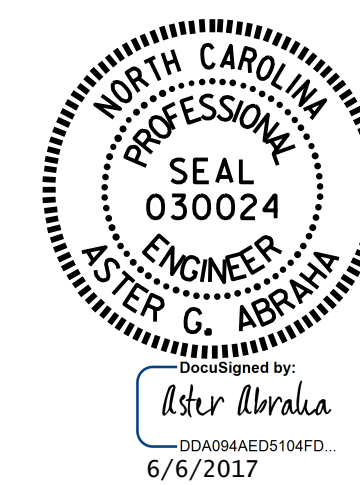
**SUMMARY OF QUANTITIES**

	ESTIMATE	ACTUAL
CONCRETE DECK REPAIR FOR CRACK SEALING	* 10 SQ.FT.	
SHOTBLASTING BRIDGE DECK	6,015 SQ. YD.	
CONCRETE BRIDGE DECK CRACK SEALING	6,015 SQ. YD.	
BRIDGE JOINT DEMOLITION	348 SQ. FT.	
SURFACE PREPARATION FOR CONCRETE BARRIER	6,053 SQ. FT.	
SILANE BARRIER RAIL TREATMENT	6,053 SQ. FT.	



PROJECT NO. I-5839  
 NORTHAMPTON COUNTY  
 BRIDGE NO. 011

-  SILANE BARRIER RAIL TREATMENT
-  BRIDGE DECK REPAIR
-  BRIDGE JOINT DEMOLITION



STATE OF NORTH CAROLINA  
 DEPARTMENT OF TRANSPORTATION  
 RALEIGH

**SUPERSTRUCTURE**  
 DECK CRACK SEALING &  
 SILANE BARRIER RAIL  
 TREATMENT

DRAWN BY : S. B. WILLIAMS / S. T. SANDOR DATE : 03/2017  
 CHECKED BY : W. C. SMITH DATE : 03/2017

DOCUMENT NOT CONSIDERED  
 FINAL UNLESS ALL  
 SIGNATURES COMPLETED

REVISIONS						SHEET NO.
NO.	BY:	DATE:	NO.	BY:	DATE:	TOTAL SHEETS
1			3			42
2			4			42