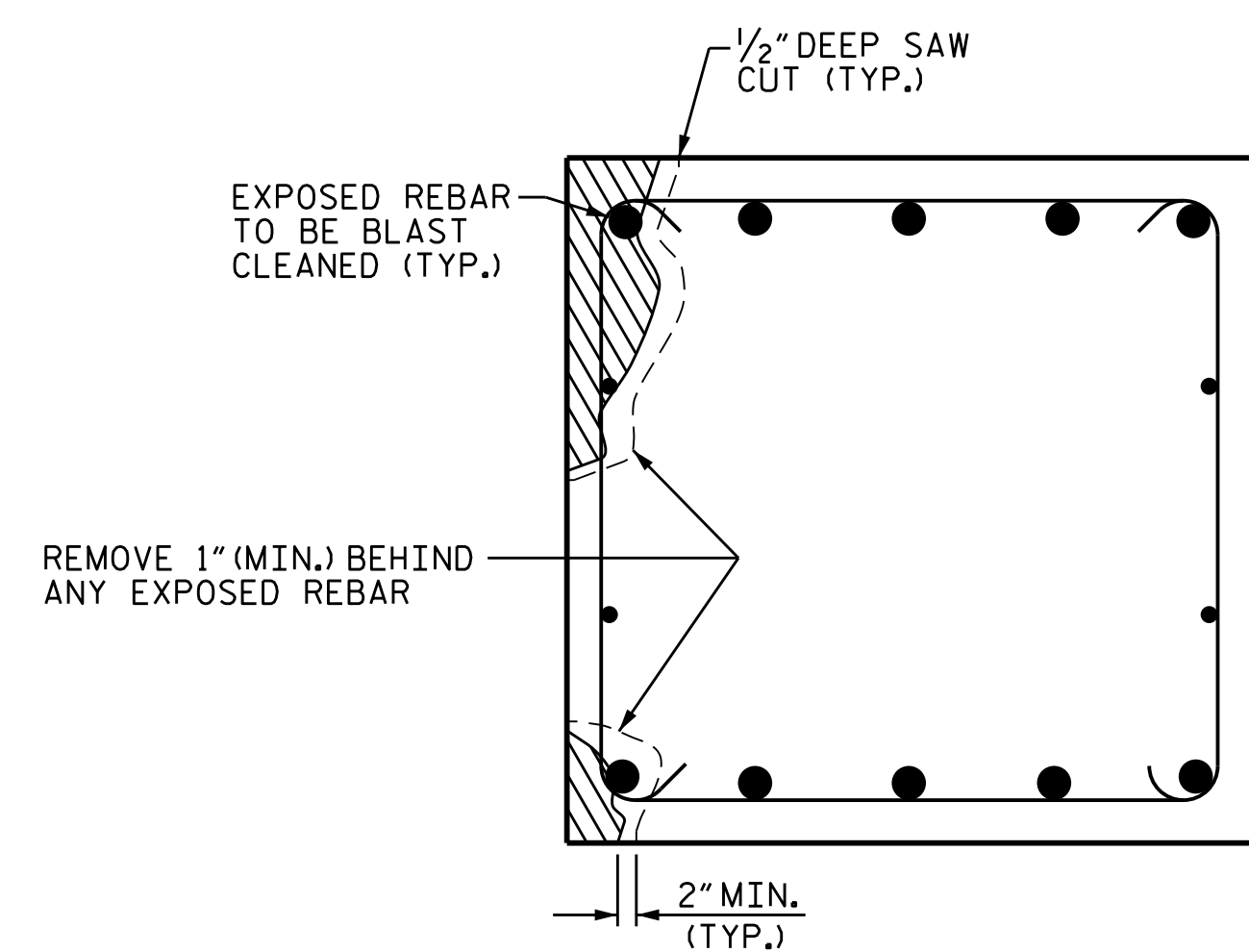
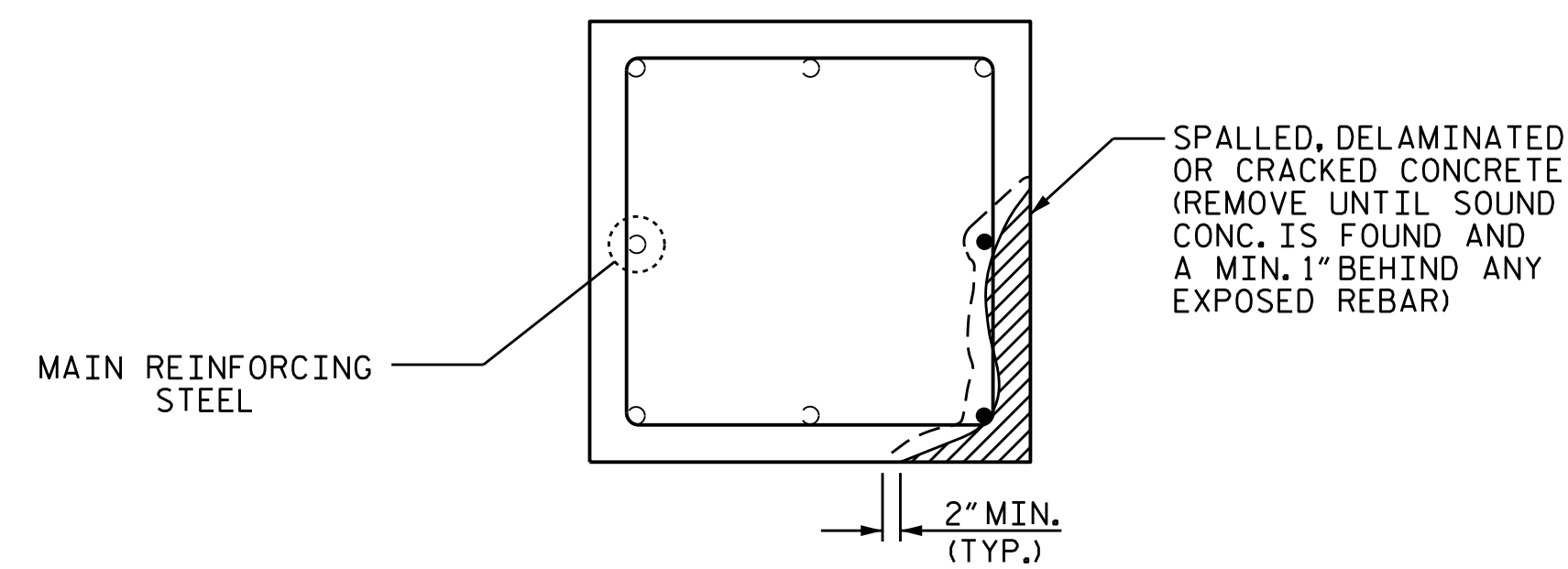


BENT CAP REPAIRS

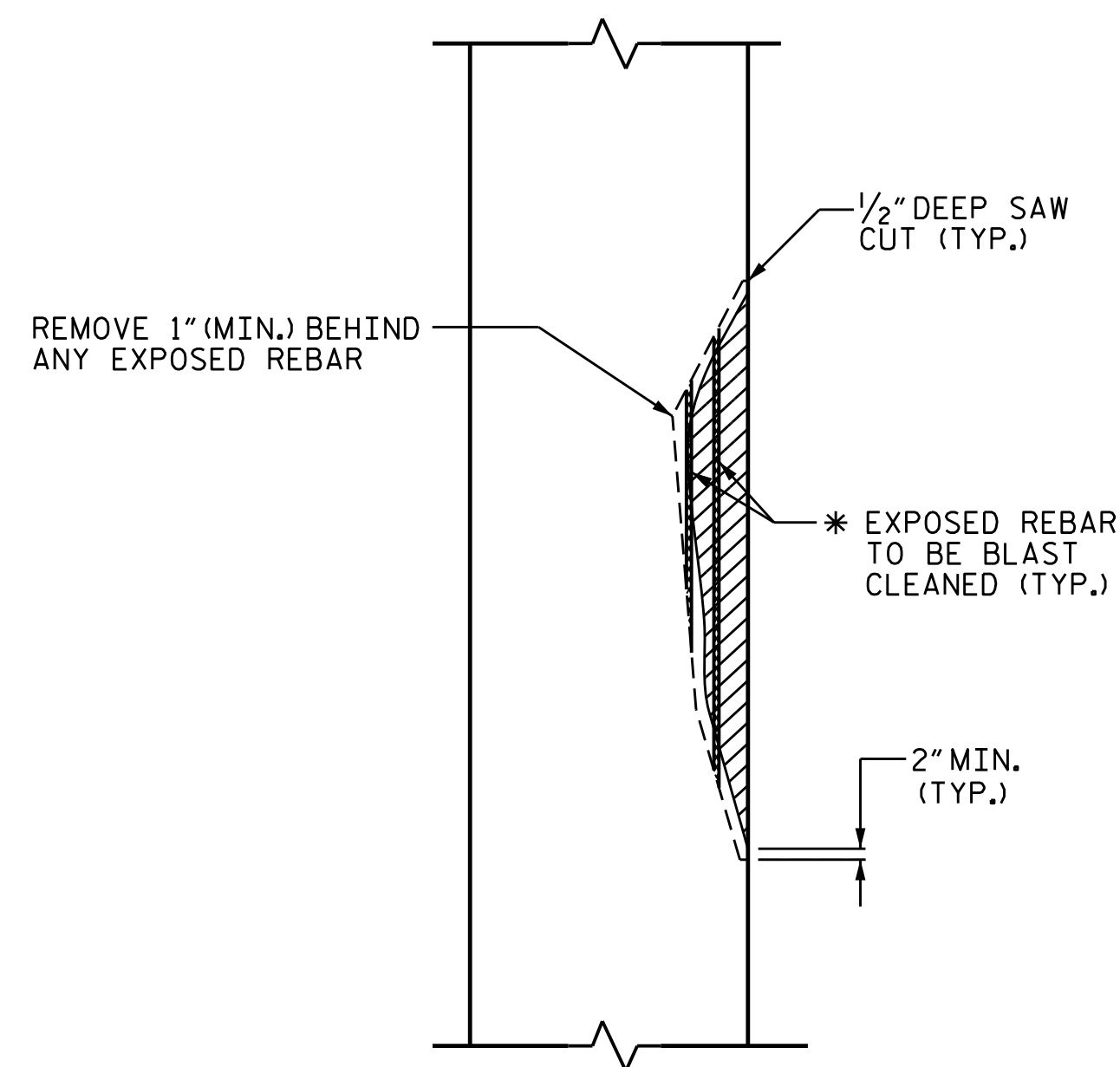


SECTION THRU CAP

CAP REPAIR



PLAN OF COLUMN



ELEVATION OF COLUMN

COLUMN REPAIR

\* DUE TO LACK OF CONFINEMENT STEEL, REPAIR LENGTH SHALL NOT EXCEED 10'-0" AT ONE TIME, UNLESS APPROVED BY THE ENGINEER.

PROJECT NO. I-5839  
HALIFAX COUNTY  
 BRIDGE NO. 131 & 132



STATE OF NORTH CAROLINA  
 DEPARTMENT OF TRANSPORTATION  
 RALEIGH  
 SUBSTRUCTURE  
 TYPICAL CAP AND COLUMN  
 REPAIR DETAILS

DRAWN BY : S. T. SANDOR DATE : 03/2017  
 CHECKED BY : W. C. SMITH DATE : 03/2017

06-JUN-2017 08:43  
 R:\Structures\Plans\Final DGN's\404\_053\_15839.SMU.CapRepair\_410132.S25 .dgn  
 jdnaw

DOCUMENT NOT CONSIDERED  
 FINAL UNLESS ALL  
 SIGNATURES COMPLETED

REVISIONS						SHEET NO.
NO.	BY:	DATE:	NO.	BY:	DATE:	TOTAL SHEETS
1			3			42
2			4			