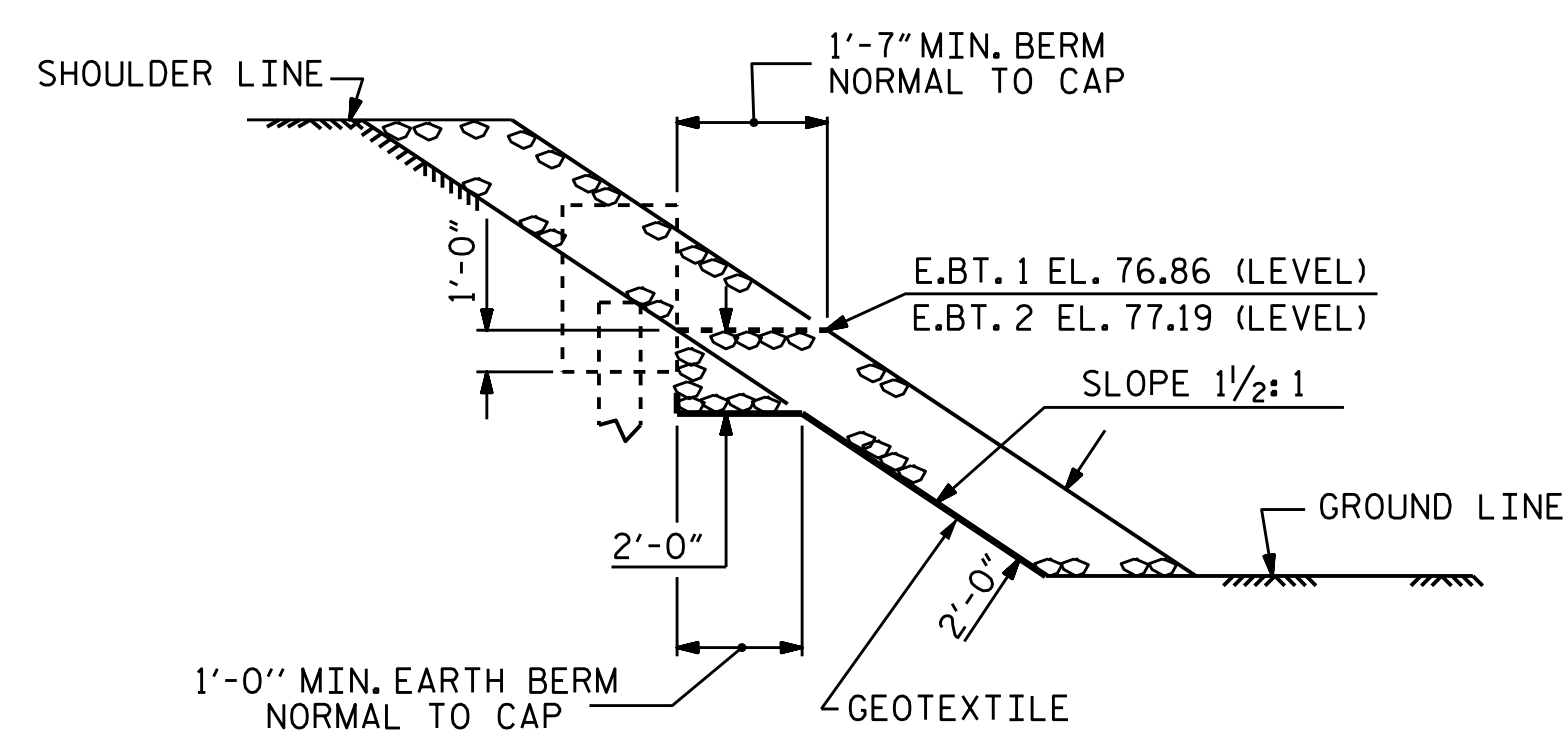
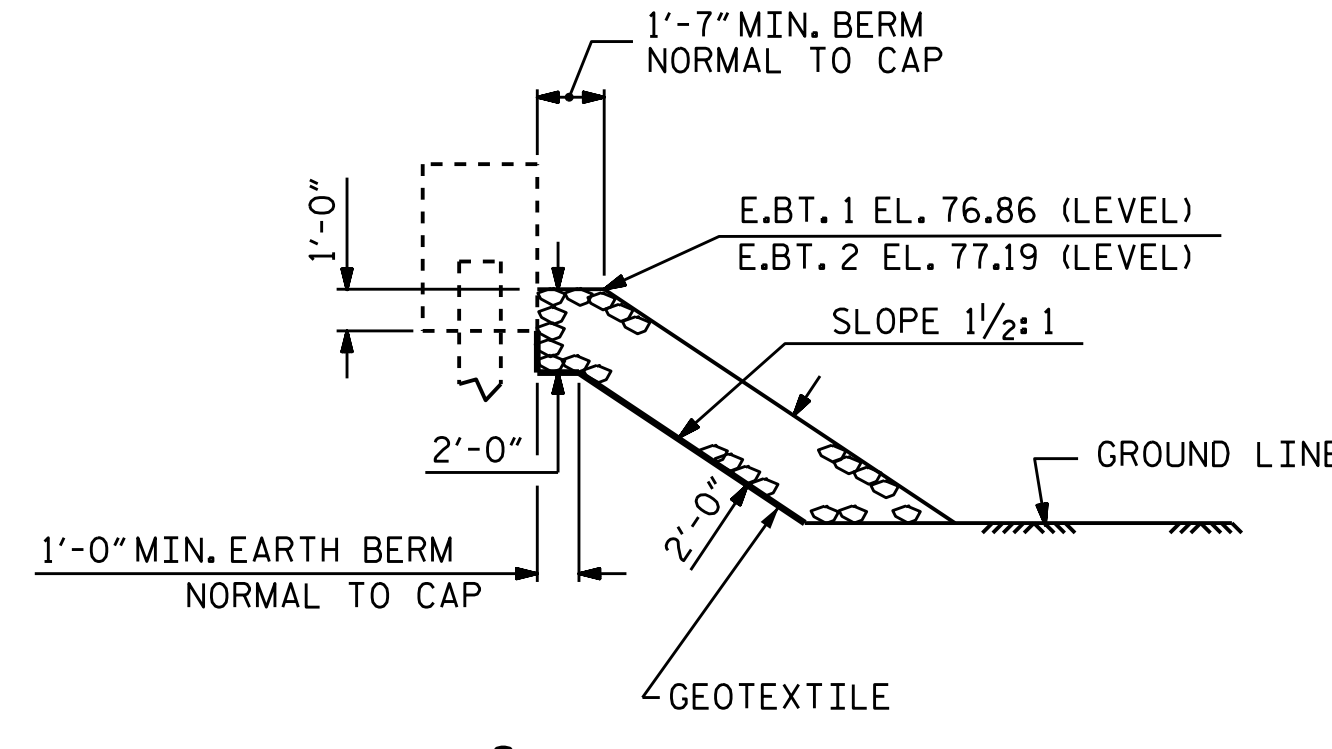


PLAN

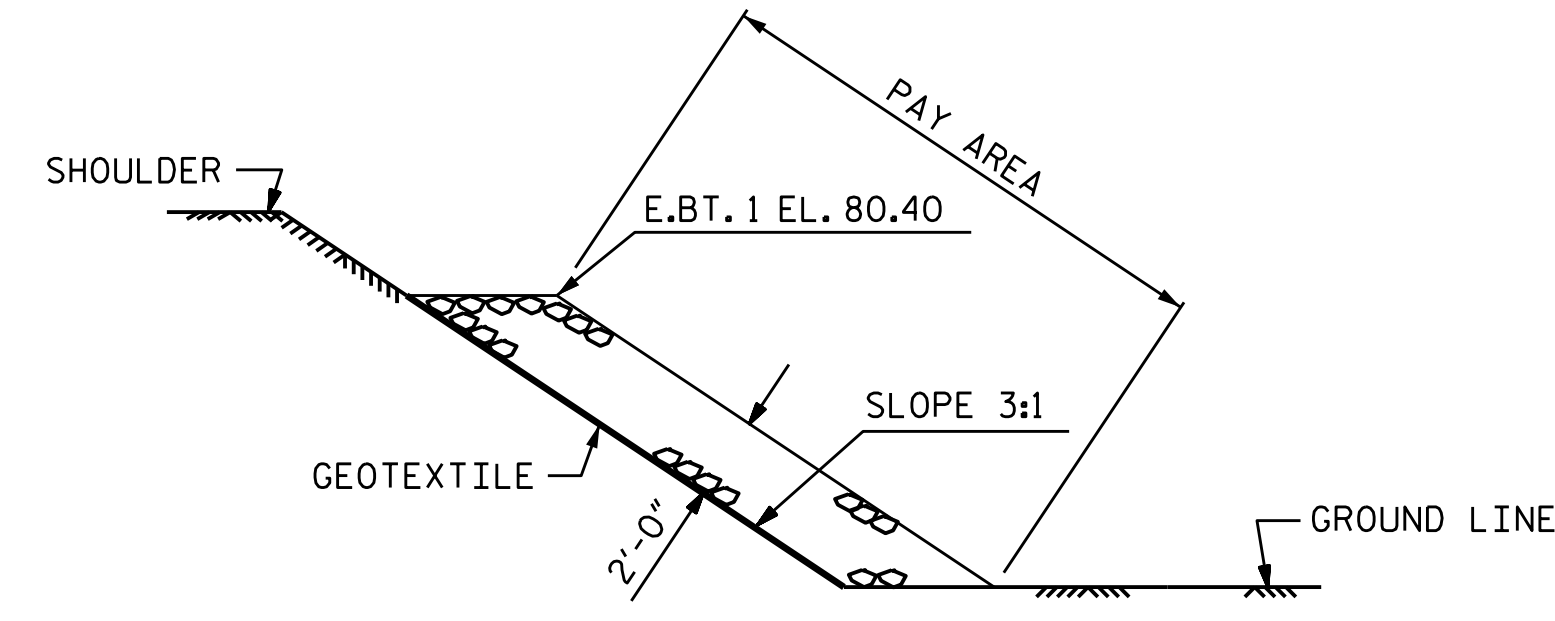
ESTIMATED QUANTITIES		
BRIDGE @ STA. 12+67.50 -L-	RIP RAP CLASS II (2'-0" THICK)	GEOTEXTILE FOR DRAINAGE
	TONS	SQUARE YARDS
END BENT 1	75	85
END BENT 2	105	115



SECTION H-H



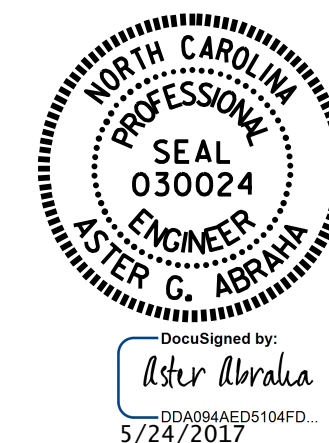
SECTION C-C  
BERM RIP RAPPED



SECTION C-C

ASSEMBLED BY : H. B. DESAI DATE : 8/19/16  
 CHECKED BY : S. B. WILLIAMS DATE : 3/17  
 DRAWN BY : REK 1/84 REV. 5/1/06R TLA/GM  
 CHECKED BY : RDU 1/84 REV. 10/1/11 MAA/GM  
 REV. 12/21/11 MAA/GM

24-MAY-2017 09:49  
 O:\Structures\PLANS\B5332.SMU.RR.dgn  
 caobra



DOCUMENT NOT CONSIDERED  
 FINAL UNLESS ALL  
 SIGNATURES COMPLETED

PROJECT NO. B-5332  
COLUMBUS COUNTY  
 STATION: 12+67.50 -L-

STATE OF NORTH CAROLINA  
 DEPARTMENT OF TRANSPORTATION  
 RALEIGH  
 STANDARD  
 RIP RAP DETAILS

REVISIONS						SHEET NO. S-13
NO.	BY:	DATE:	NO.	BY:	DATE:	
1			3			TOTAL SHEETS 14
2			4			

STD. NO. RR1