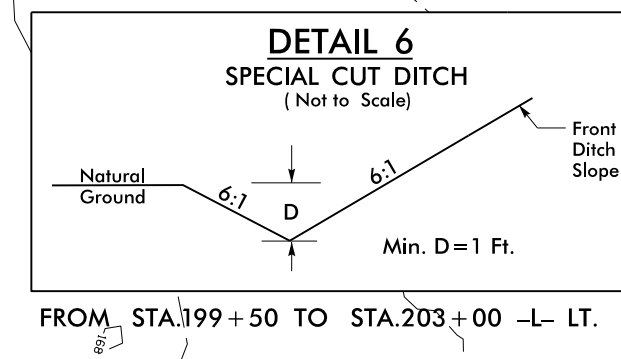


PROJECT REFERENCE NO.	SHEET NO.
U-5796	EC-6/CONST.6
R/W SHEET NO.	
ROADWAY DESIGN ENGINEER	HYDRAULICS ENGINEER



CLEARING AND GRUBBING EROSION CONTROL FOR CONSTRUCTION SHEET 6

NOTE: PERIMETER EROSION CONTROL MEASURES SHALL BE INSTALLED DURING CLEARING AND GRUBBING PHASE.

NOTE: PLACE TEMPORARY ROCK SEDIMENT DAMS TYPE - B AND TEMPORARY ROCK SILT CHECKS TYPE - A AT DRAINAGE OUTLETS.

38 x 18 x 3
ID 6.11

69 x 34 x 3
1.5 inch Skimmer
with 1.375 inch
Orifice Diameter
9 ft. weir
ID 6.12

40 x 20 x 2
ID 6.02

42 x 21 x 3
ID 6.03

44 x 18 x 3
ID 6.05

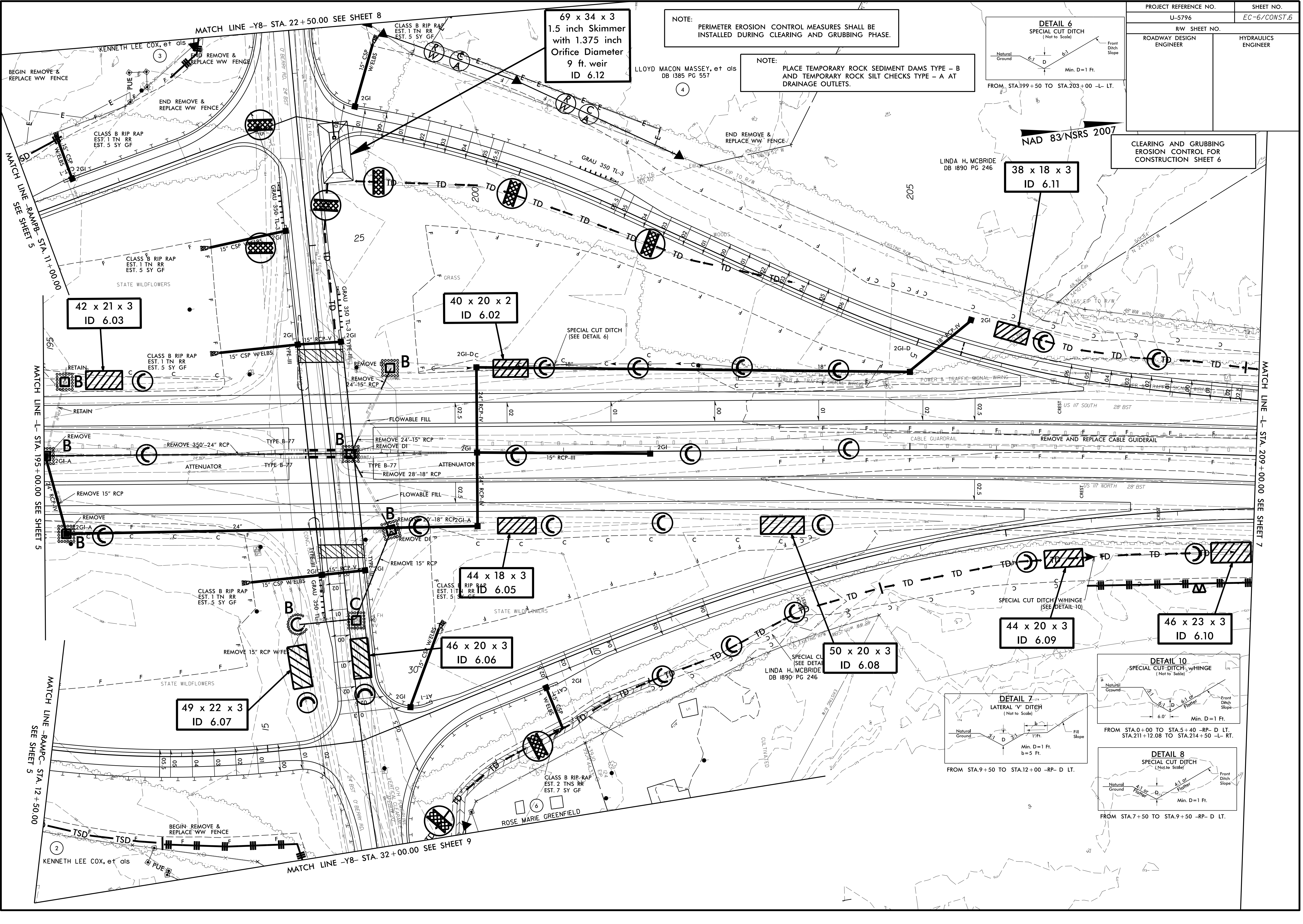
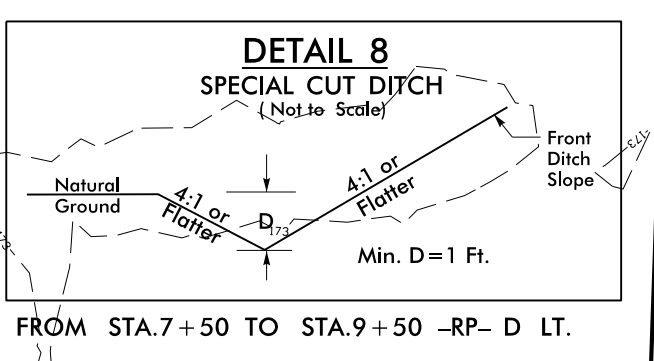
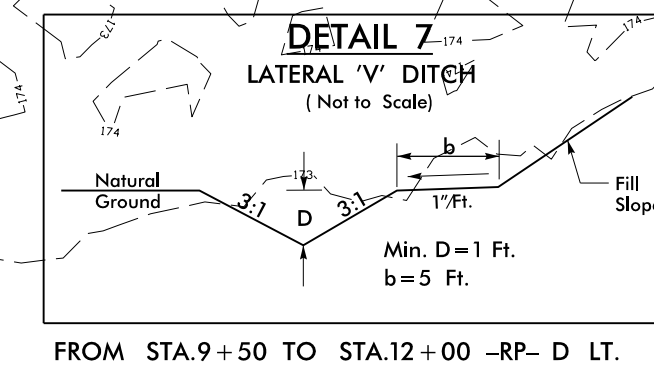
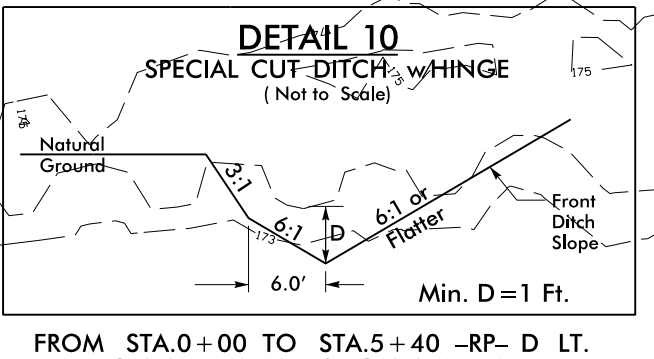
44 x 20 x 3
ID 6.09

46 x 23 x 3
ID 6.10

46 x 20 x 3
ID 6.06

50 x 20 x 3
ID 6.08

49 x 22 x 3
ID 6.07



REVISIONS

\$\$\$\$\$SUBSERNAME\$\$\$\$\$

HP4500