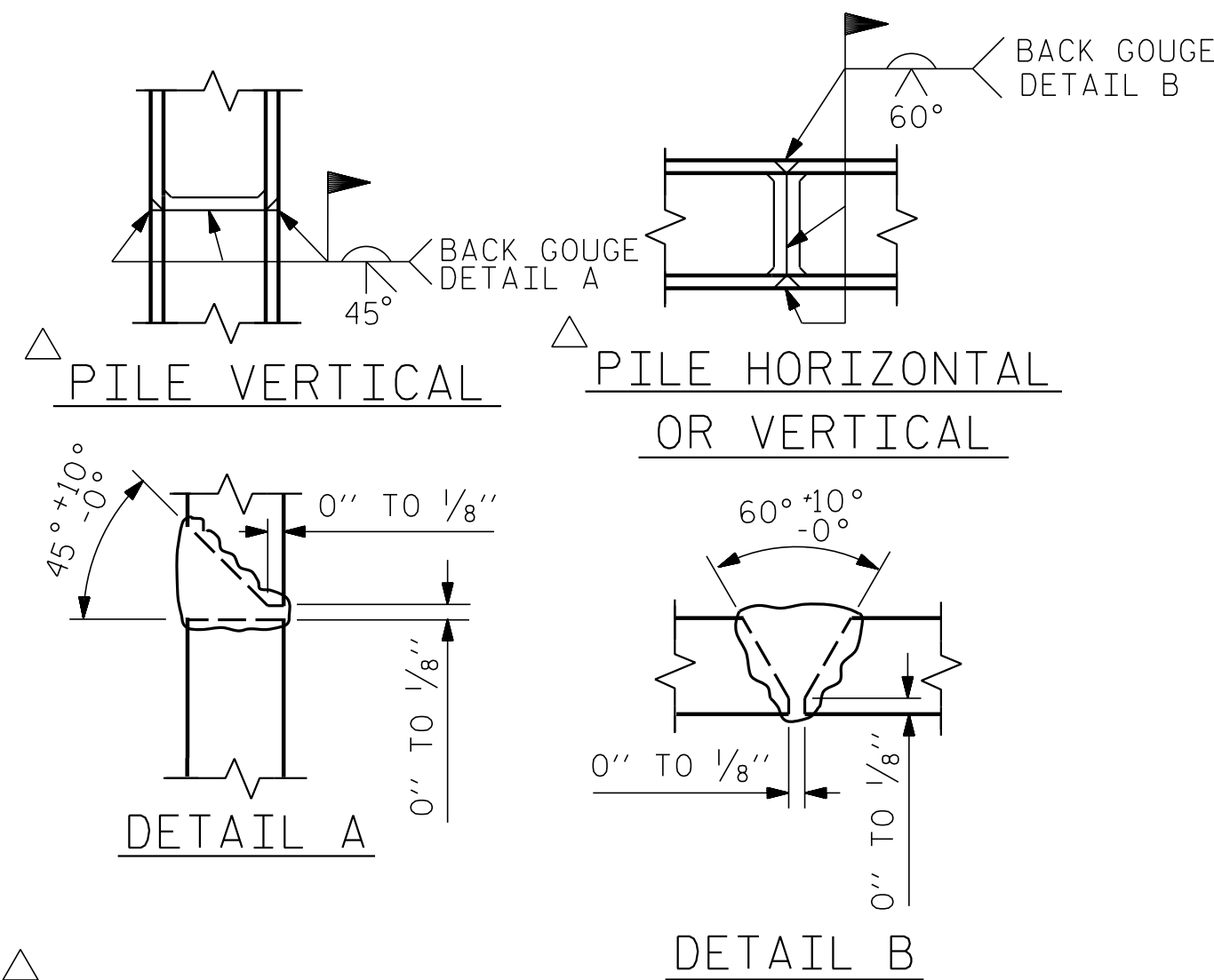


BAGGED STONE AND PIPE SHALL BE PLACED IMMEDIATELY AFTER COMPLETION OF END BENT EXCAVATION. PIPE MAY BE EITHER CONCRETE, CORRUGATED STEEL, CORRUGATED ALUMINUM ALLOY, OR CORRUGATED PLASTIC. PERFORATED PIPE WILL NOT BE ALLOWED.

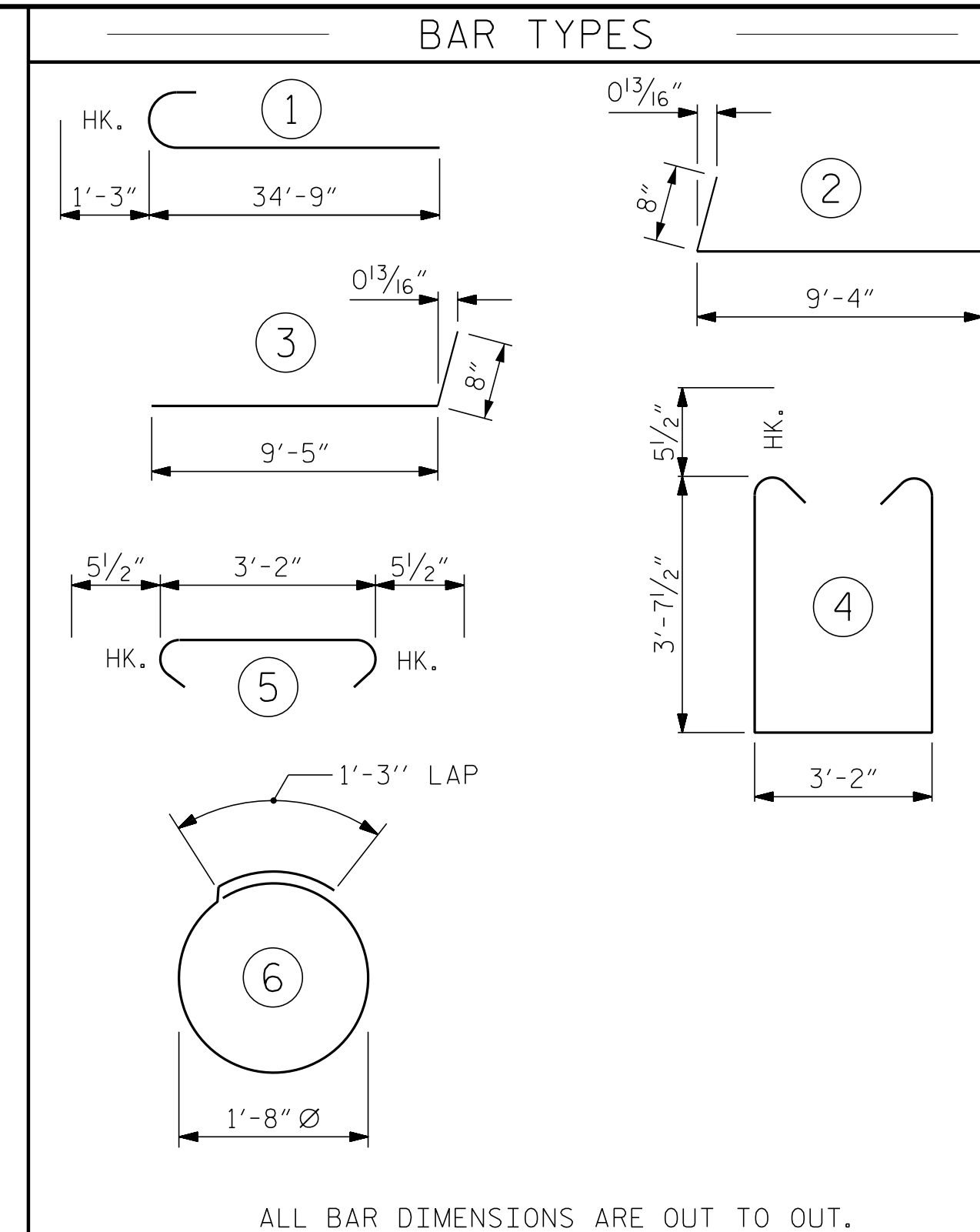
BAGGED STONE SHALL REMAIN IN PLACE UNTIL THE ENGINEER DIRECTS THAT IT BE REMOVED. THE CONTRACTOR SHALL REMOVE AND DISPOSE OF SILT ACCUMULATIONS AT BAGGED STONE WHEN SO DIRECTED BY THE ENGINEER. BAGS SHALL BE REMOVED AND REPLACED WHENEVER THE ENGINEER DETERMINES THAT THEY HAVE DETERIORATED AND LOST THEIR EFFECTIVENESS.

NO SEPARATE PAYMENT WILL BE MADE FOR THIS WORK AND THE ENTIRE COST OF THIS WORK SHALL BE INCLUDED IN THE UNIT CONTRACT PRICE BID FOR THE SEVERAL PAY ITEMS.

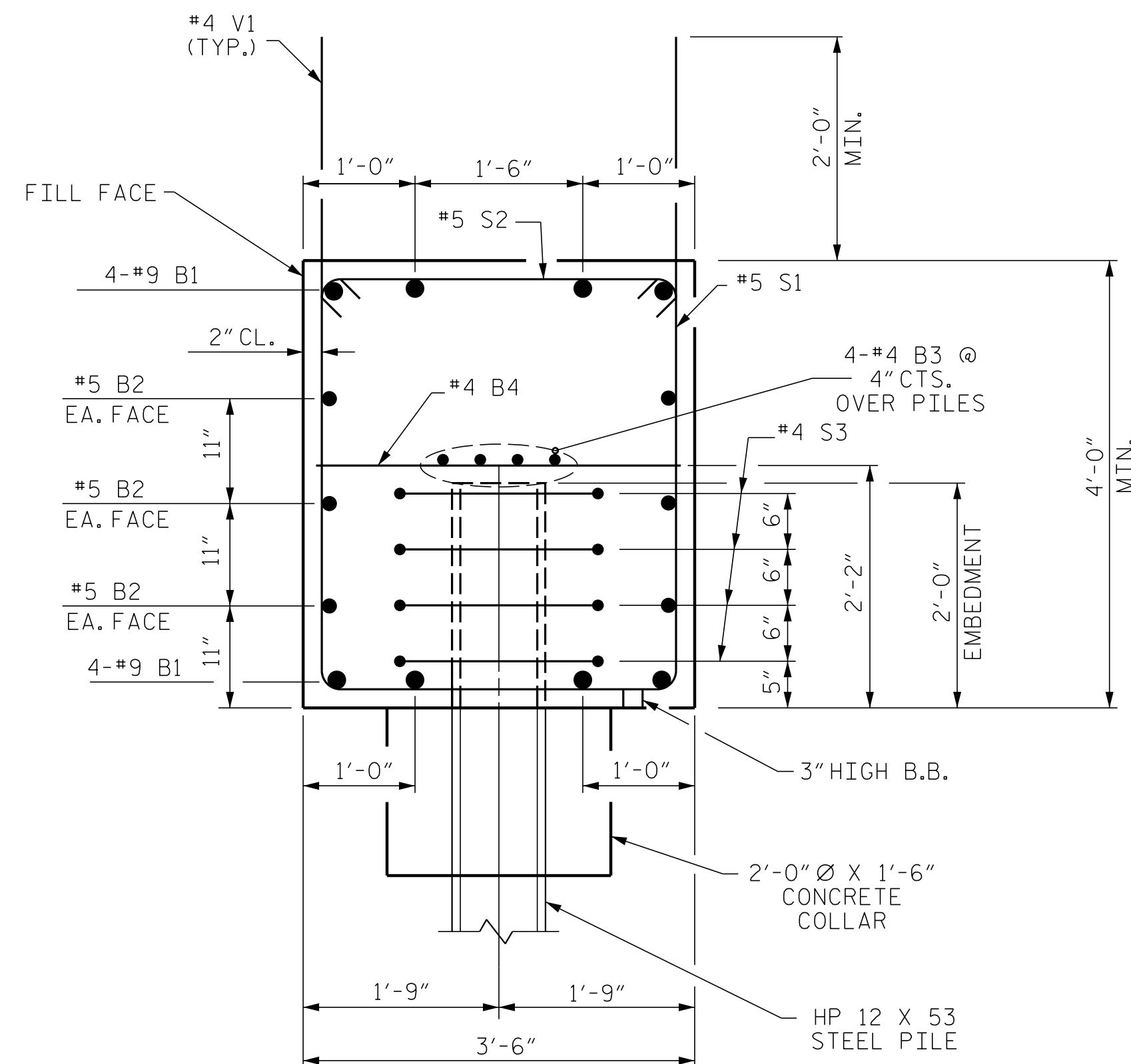
TEMPORARY DRAINAGE AT END BENT



PILE SPLICE DETAILS

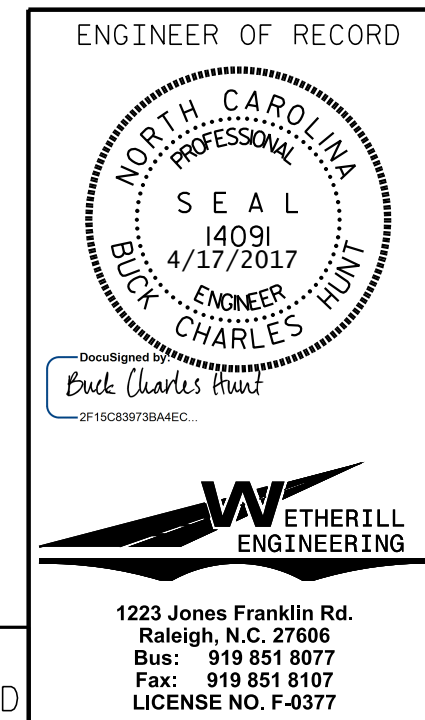


BILL OF MATERIAL					
END BENT No. 2					
BAR	NO.	SIZE	TYPE	LENGTH	WEIGHT
B1	16	#9	1	36'-0"	1958
B2	12	#5	STR	31'-10"	398
B3	12	#4	STR	21'-10"	175
B4	15	#4	STR	3'-2"	32
H1	28	#5	2	10'-0"	292
H2	28	#5	3	10'-1"	294
H3	32	#4	STR	3'-2"	71
S1	74	#5	4	11'-4"	875
S2	74	#5	5	4'-1"	315
S3	40	#4	6	6'-6"	174
V1	80	#4	STR	5'-9"	307
V2	56	#4	STR	9'-5"	352
REINFORCING STEEL					5,243 LBS.
CLASS A CONCRETE BREAKDOWN					
POUR #1	CAP, CONC, COLLARS & LOWER PART OF WINGS				37.4 C.Y.
POUR #2	UPPER PART OF WINGS				5.2 C.Y.
TOTAL CLASS A CONCRETE					42.6 C.Y.
HP 12 X 53 STEEL PILES					
NO: 10					LIN. FT. = 900
PILE REDRIVES					10 EA.
PILE DRIVING EQUIPMENT SETUP FOR HP 12 X 53 STEEL PILES					10 EA.



SECTION A-A

PROJECT NO. U-5796
WAYNE COUNTY
 STATION: 27+41.30 -Y8-
 SHEET 3 OF 3



REVISIONS					
NO.	BY:	DATE:	NO.	BY:	DATE:
1			3		
2			4		

SHEET NO. S01-30				
TOTAL SHEETS 34				

DOCUMENT NOT CONSIDERED FINAL UNLESS ALL SIGNATURES COMPLETED

DRAWN BY: D. HODGE DATE: 2/16
 CHECKED BY: J. DILWORTH DATE: 2/16

P:\2015\U-5796\Structures\DG\U5796_EB_WE I.dgn
 4/17/2017 10:00:29 AM