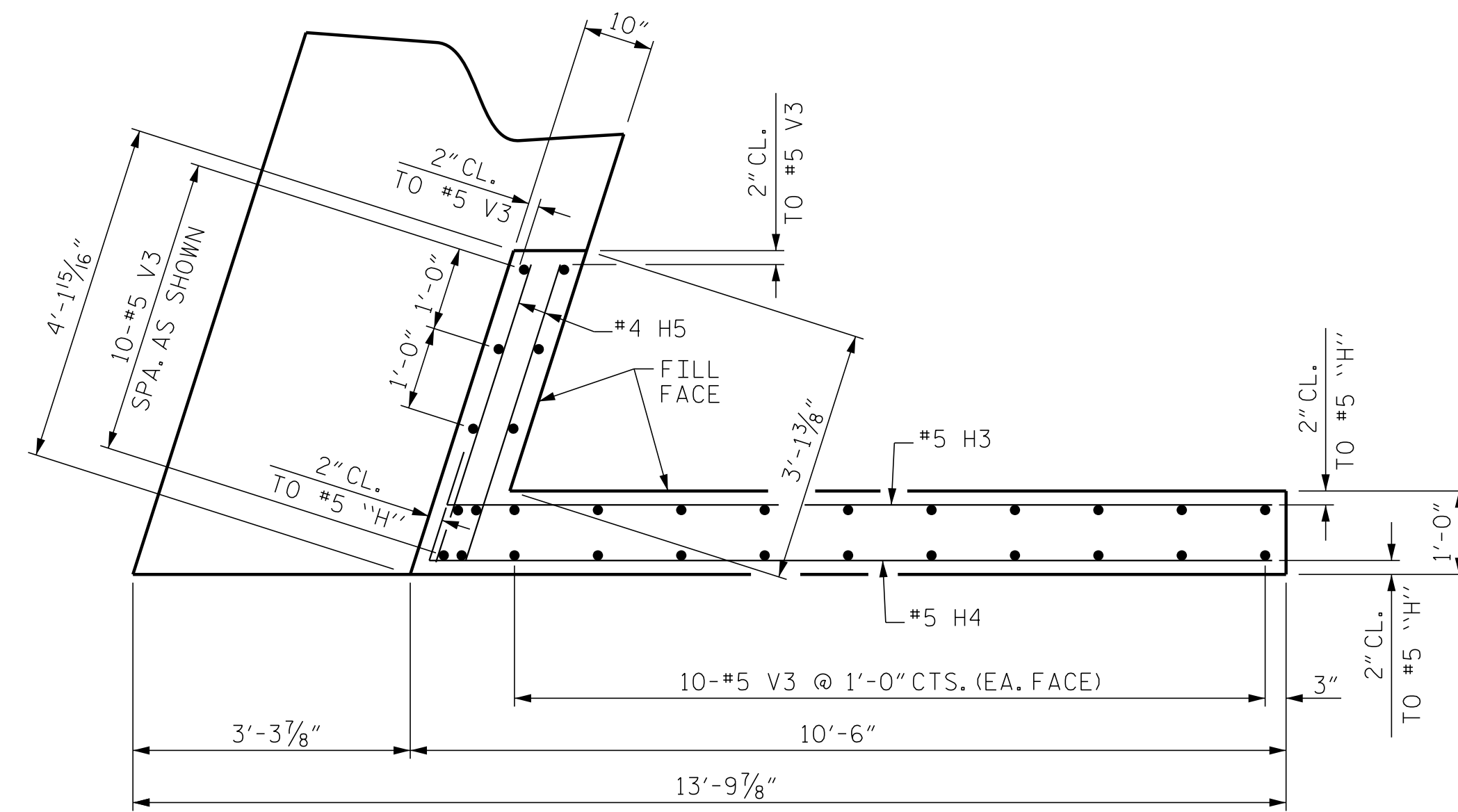
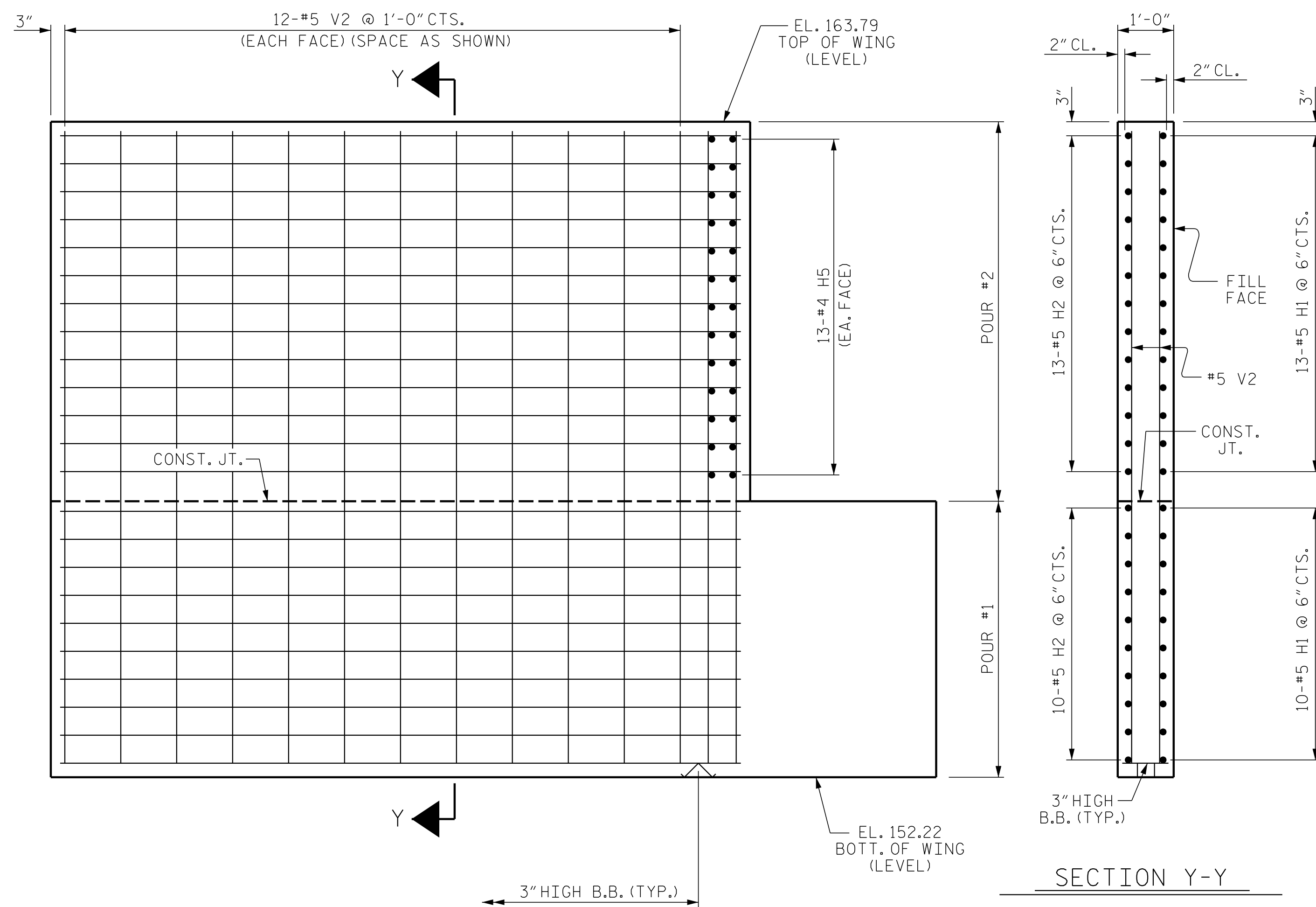


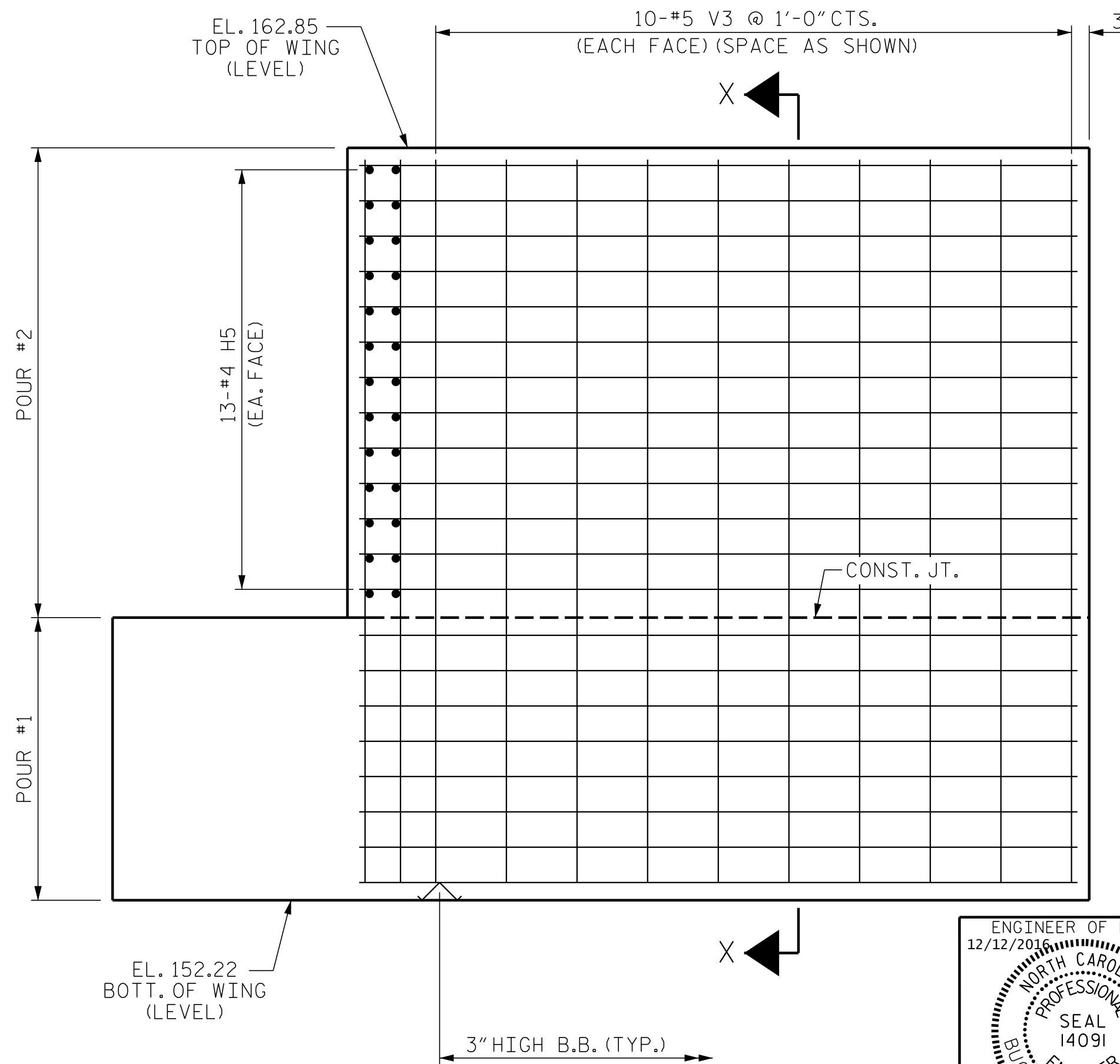
PLAN OF WING - W1



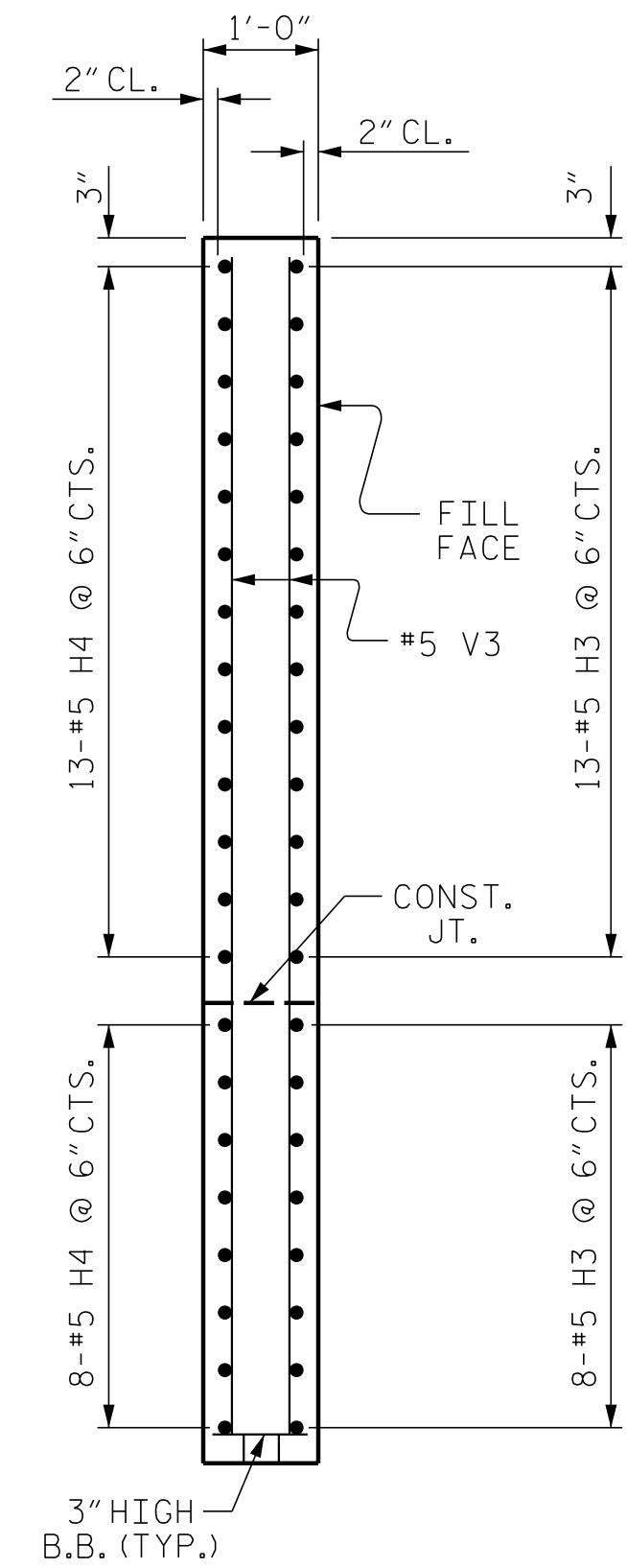
PLAN OF WING - W2



ELEVATION OF WING - W1



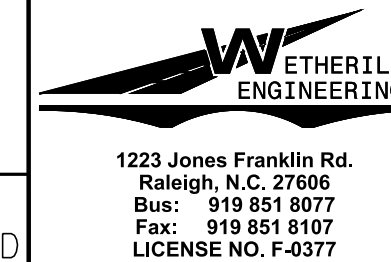
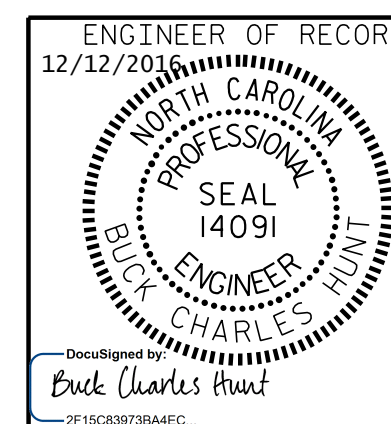
ELEVATION OF WING - W2



SECTION X-X

PROJECT NO. R-5719
 WAYNE COUNTY
 STATION: 39+11.12 -L-

SHEET 2 OF 3



STATE OF NORTH CAROLINA
 DEPARTMENT OF TRANSPORTATION
 RALEIGH

SUBSTRUCTURE
 END BENT No. 2
 (RIGHT LANE)

REVISIONS

NO.	BY:	DATE:	NO.	BY:	DATE:
1			3		
2			4		

SHEET NO.
 S02-21
 TOTAL SHEETS
 26

DRAWN BY: D. HODGE DATE: 2/16
 CHECKED BY: J. DILWORTH DATE: 2/16

DOCUMENT NOT CONSIDERED FINAL
 UNLESS ALL SIGNATURES COMPLETED