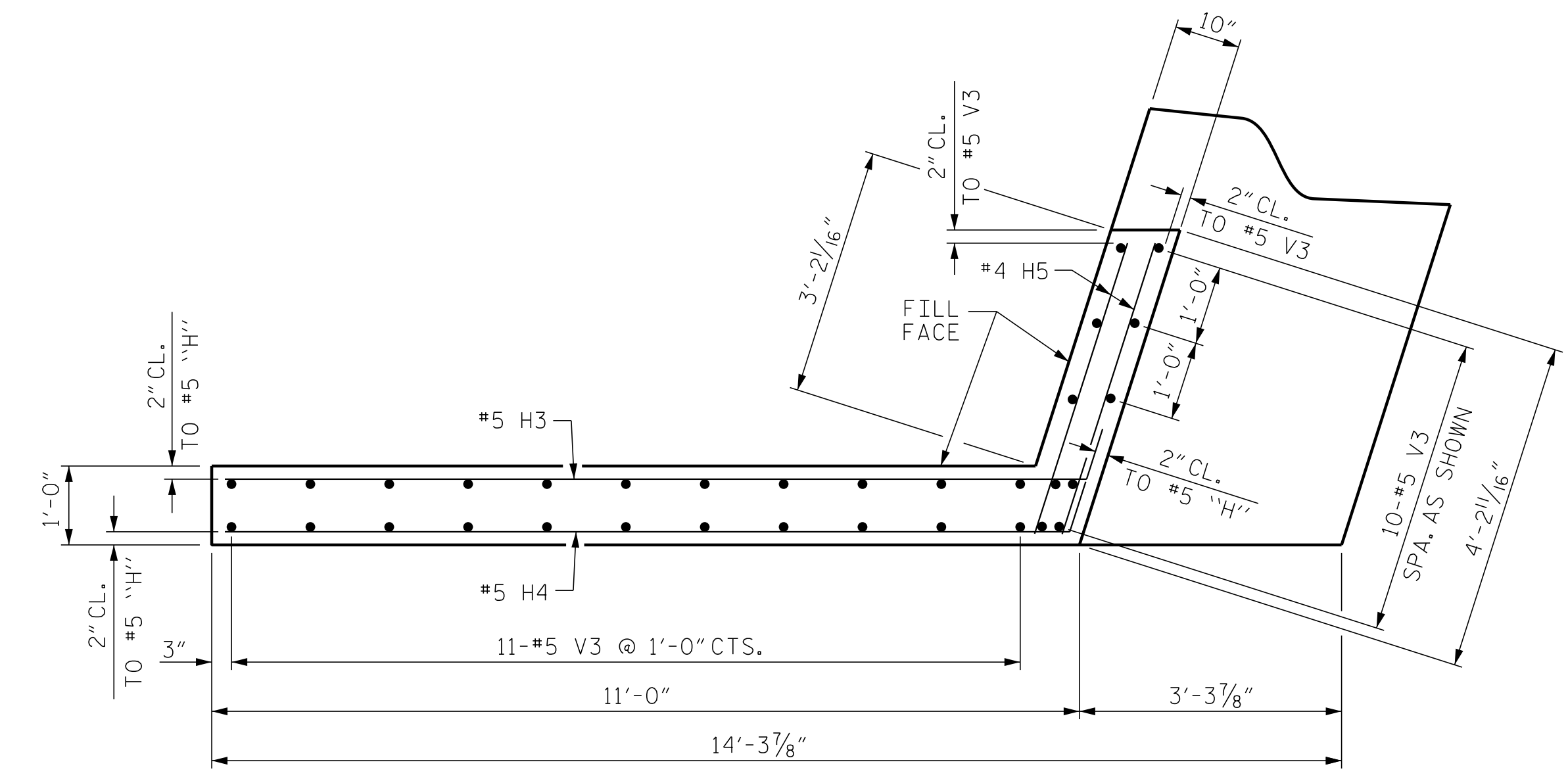
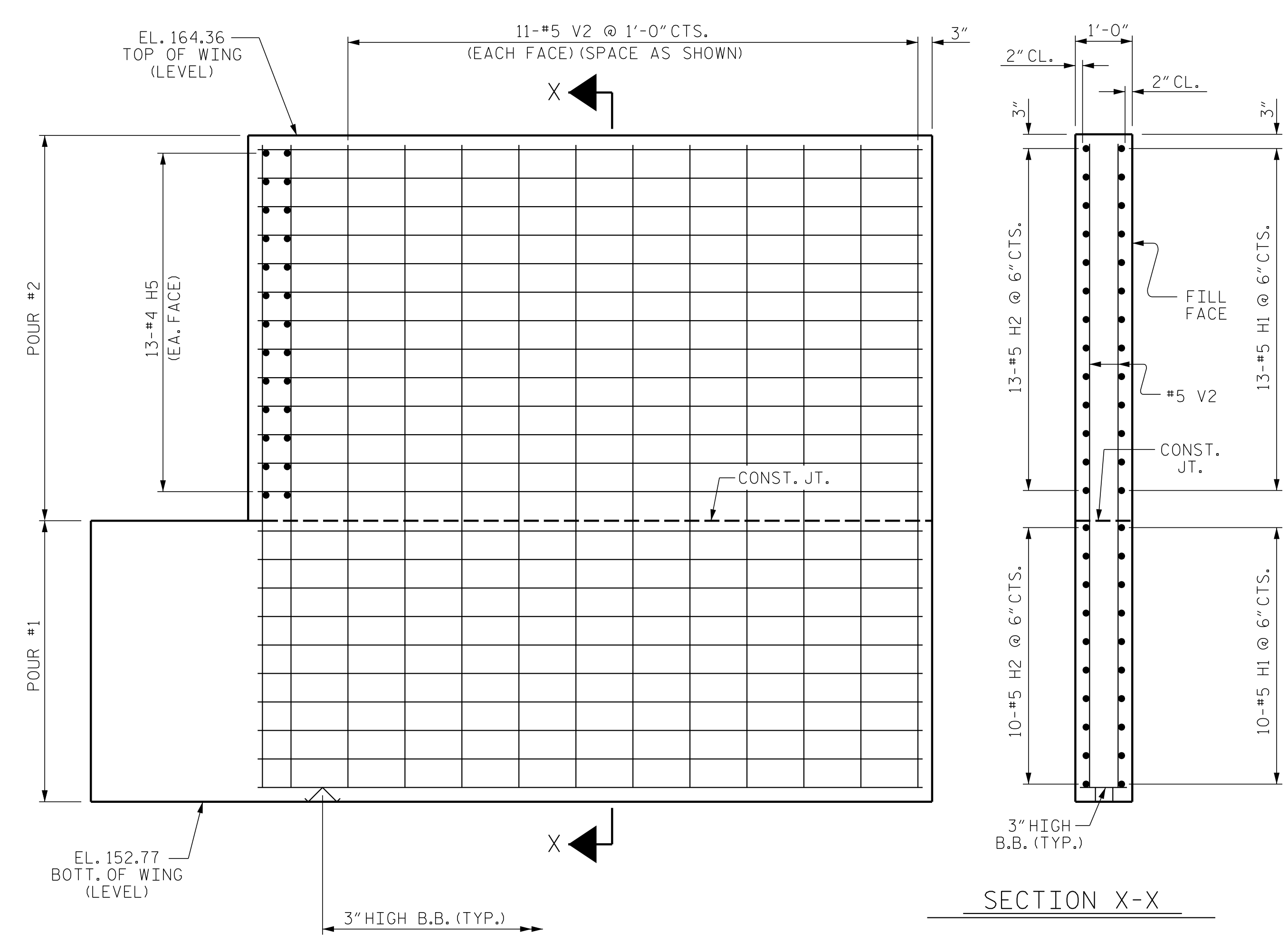


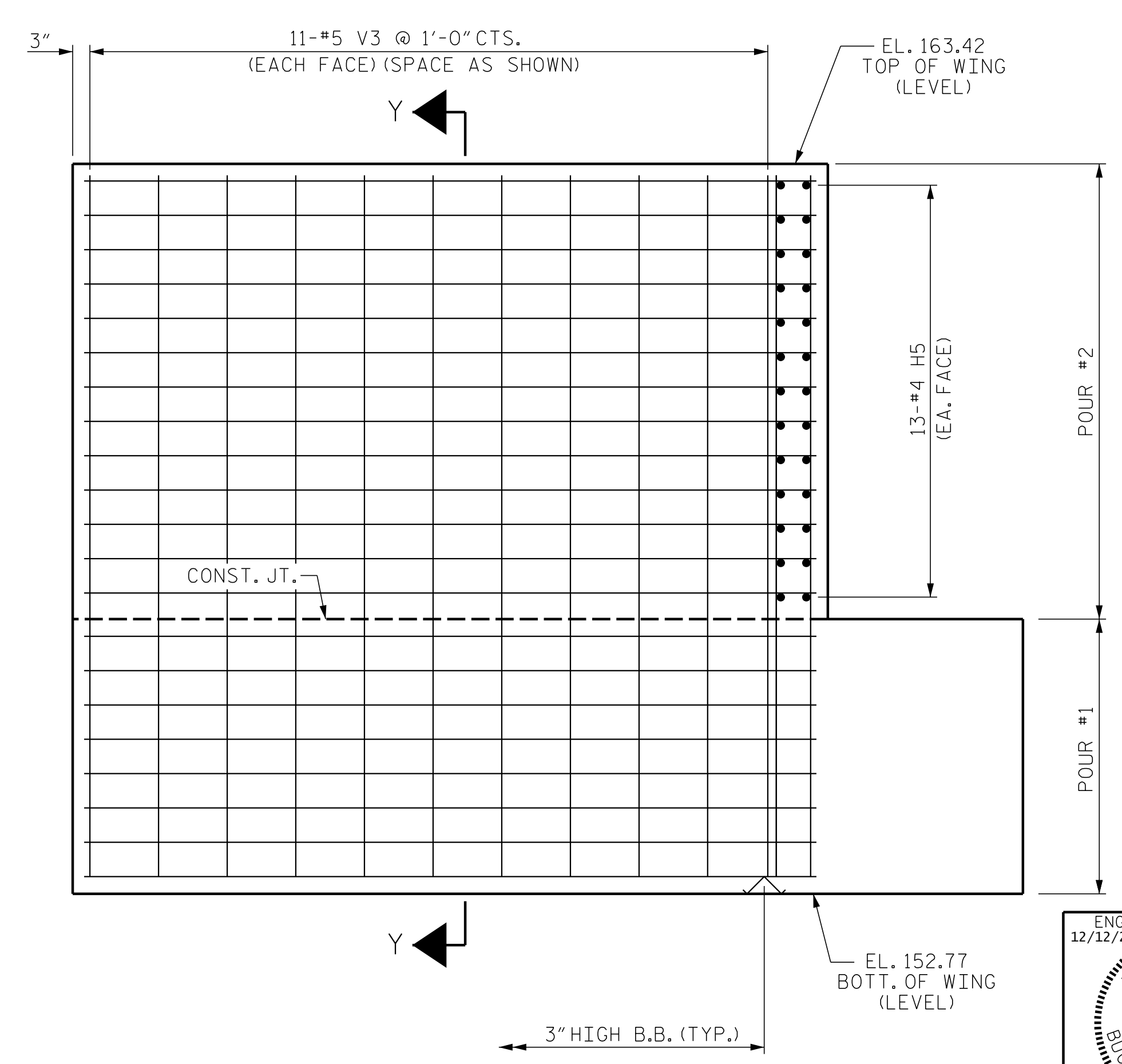
PLAN OF WING - W1



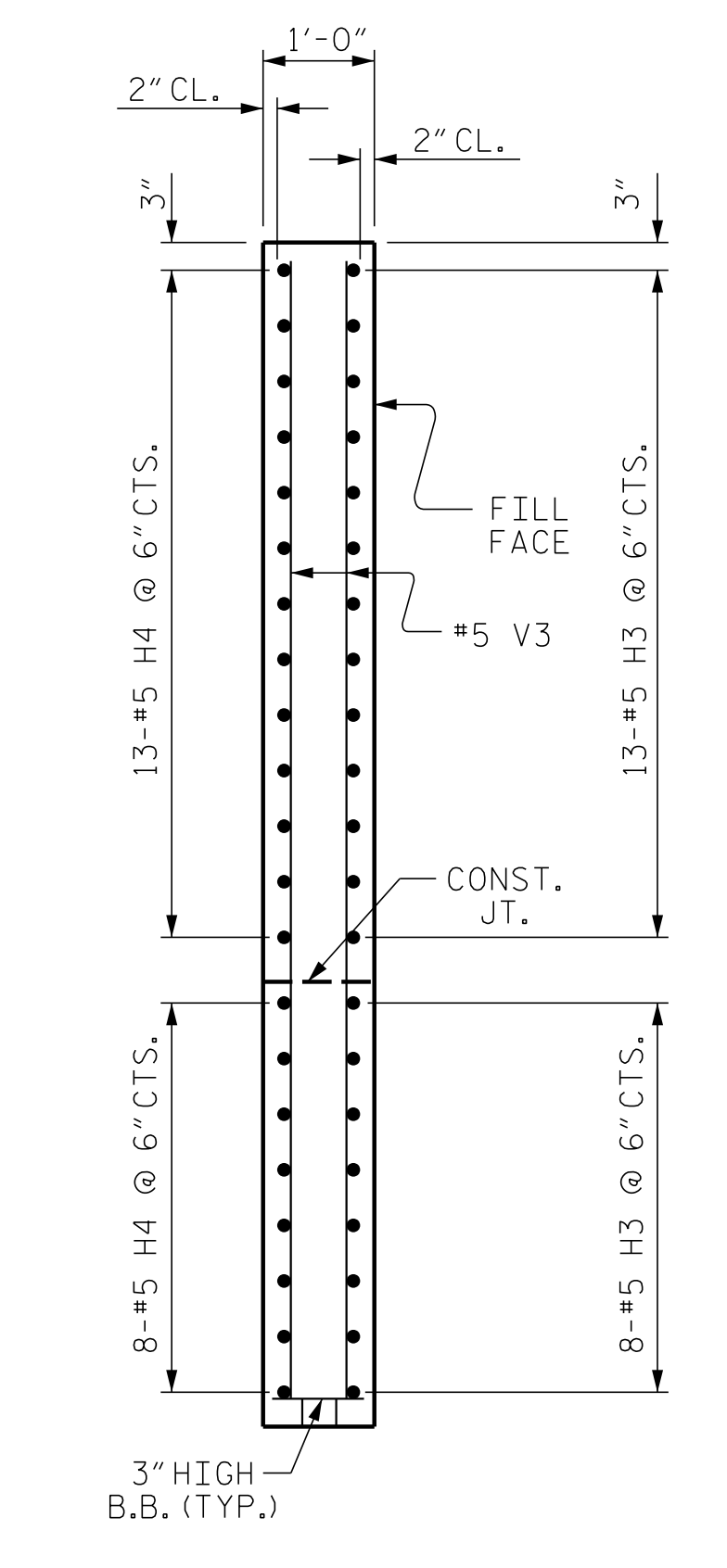
PLAN OF WING - W2



ELEVATION OF WING - W1

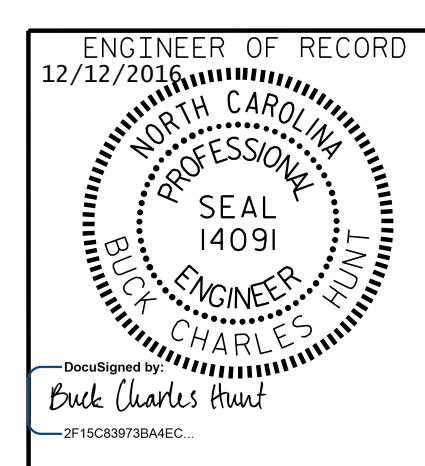


ELEVATION OF WING - W2



SECTION Y-Y

PROJECT NO. R-5719  
 WAYNE COUNTY  
 STATION: 39+11.12 -L-  
 SHEET 2 OF 3



ETHERILL ENGINEERING  
 1223 Jones Franklin Rd.  
 Raleigh, N.C. 27606  
 Bus: 919 851 8077  
 Fax: 919 851 8107  
 LICENSE NO. F-0377

STATE OF NORTH CAROLINA DEPARTMENT OF TRANSPORTATION RALEIGH					
SUBSTRUCTURE END BENT No. 1 (RIGHT LANE)					
REVISIONS					
NO.	BY:	DATE:	NO.	BY:	DATE:
1			3		
2			4		
SHEET NO.					S02-18
TOTAL SHEETS					26

DOCUMENT NOT CONSIDERED FINAL  
 UNLESS ALL SIGNATURES COMPLETED

P:\2015\A-5719\Structures\DWG\Right Lane\A-5719\_RT\_EBT\_WE1.dgn  
 12/16/2016 2:21:31 PM

DRAWN BY: D. HODGE DATE: 2/16  
 CHECKED BY: J. DILWORTH DATE: 2/16