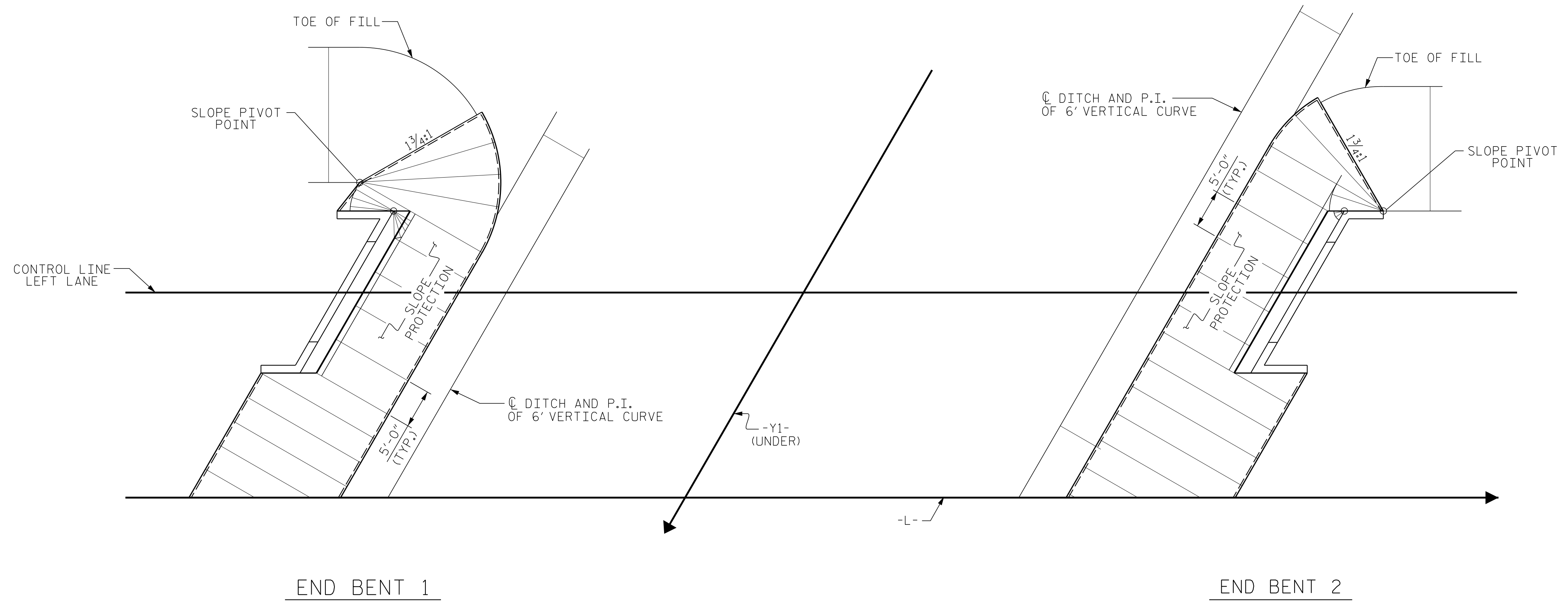


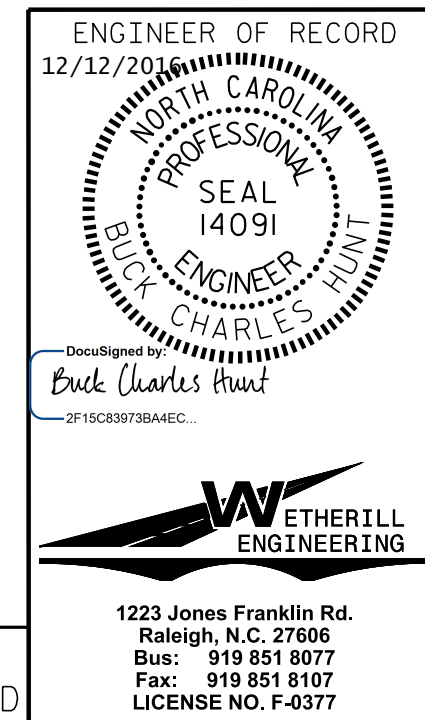
PLAN - GRADING

ELEVATIONS SHOWN AT STA. (UNDER) ARE AT TOP OF CONCRETE SLOPE PROTECTION



PLAN - CONCRETE PLACEMENT

PROJECT NO. R-5719  
WAYNE COUNTY  
 STATION: 39+11.12 -L-  
 SHEET 2 OF 2



STATE OF NORTH CAROLINA DEPARTMENT OF TRANSPORTATION RALEIGH					
STANDARD SLOPE PROTECTION DETAILS LEFT LANE					
REVISIONS					
NO.	BY:	DATE:	NO.	BY:	DATE:
1			3		
2			4		
SHEET NO. S01-24					TOTAL SHEETS 26

DRAWN BY : R. ASENCIO DATE : 1/26/16  
 CHECKED BY : J. DILWORTH DATE : 1/30/16

DOCUMENT NOT CONSIDERED FINAL  
 UNLESS ALL SIGNATURES COMPLETED

P:\2015\A-5719\Structures\DWG\Left Lane\A-5719-LT-SP-WE.dgn  
 12/16/2016 1:26:48 PM