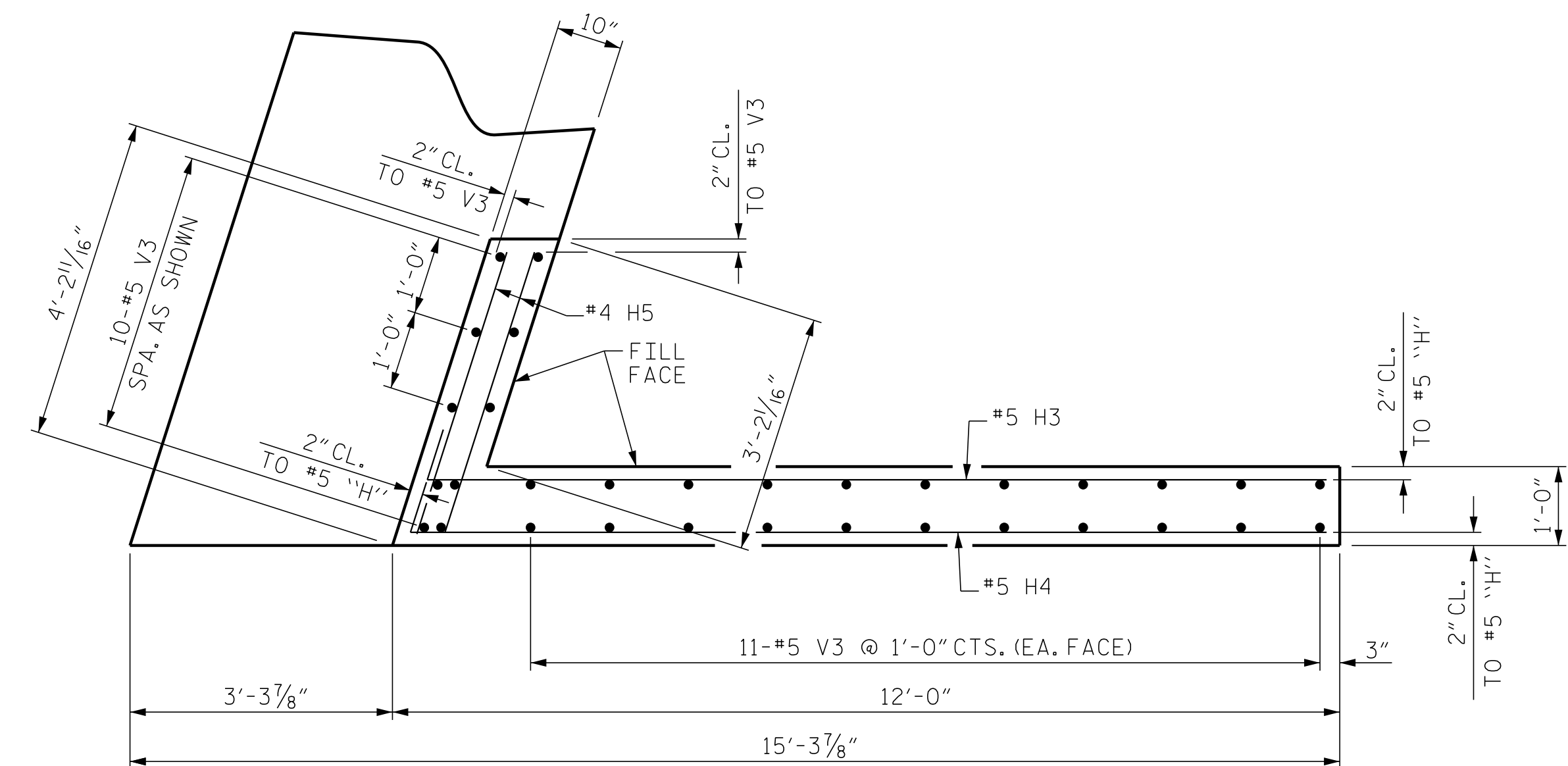
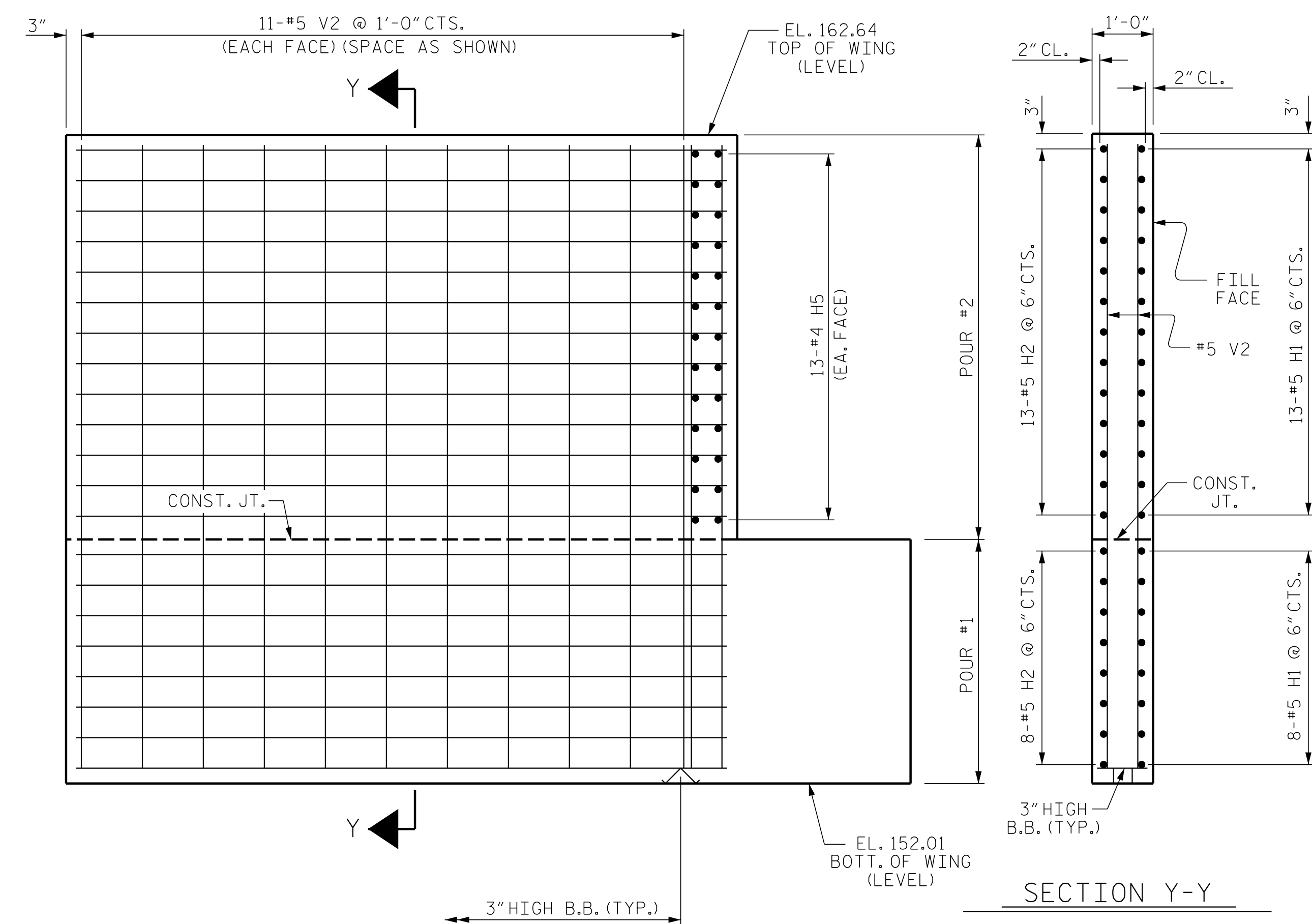


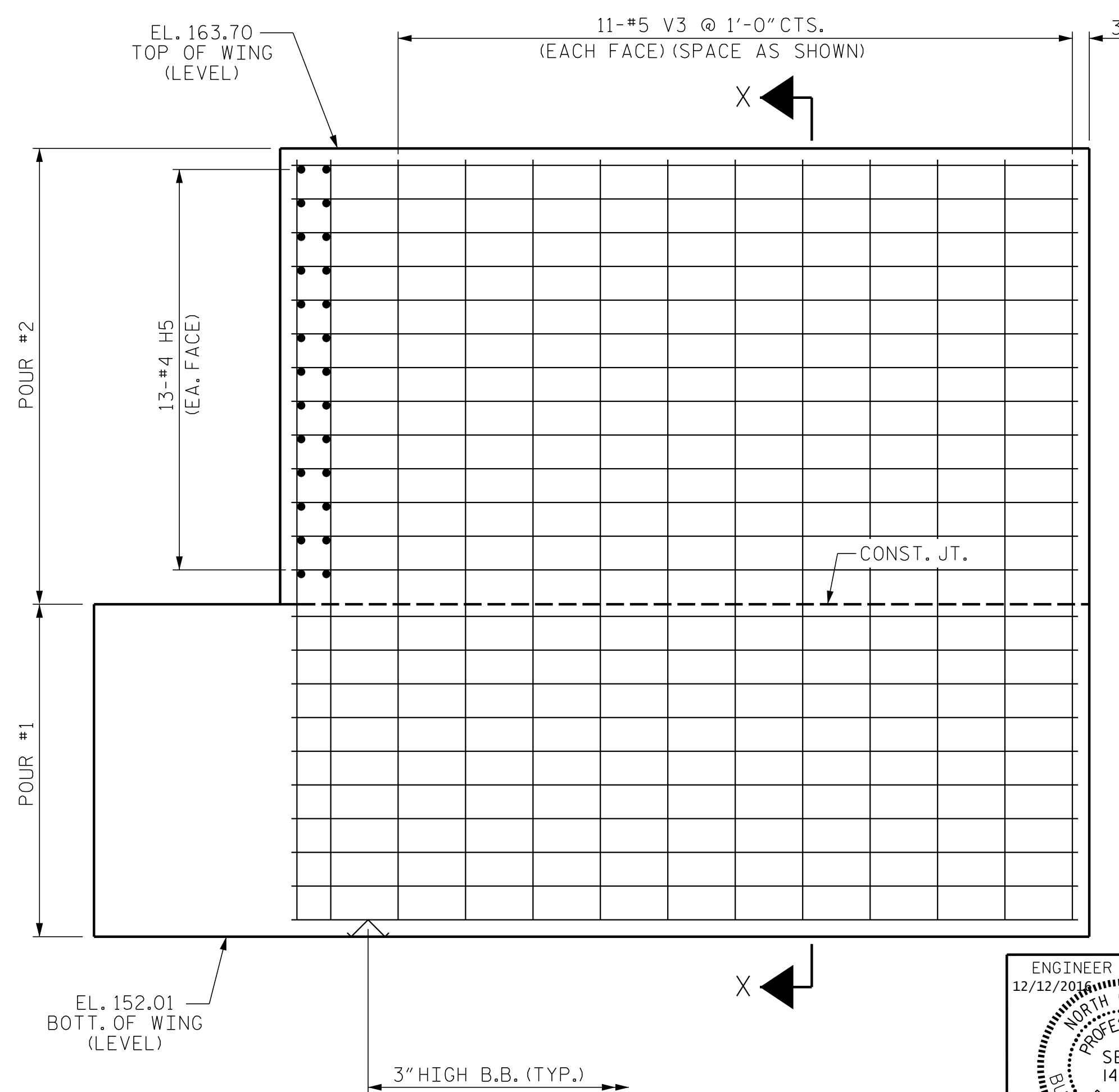
PLAN OF WING - W1



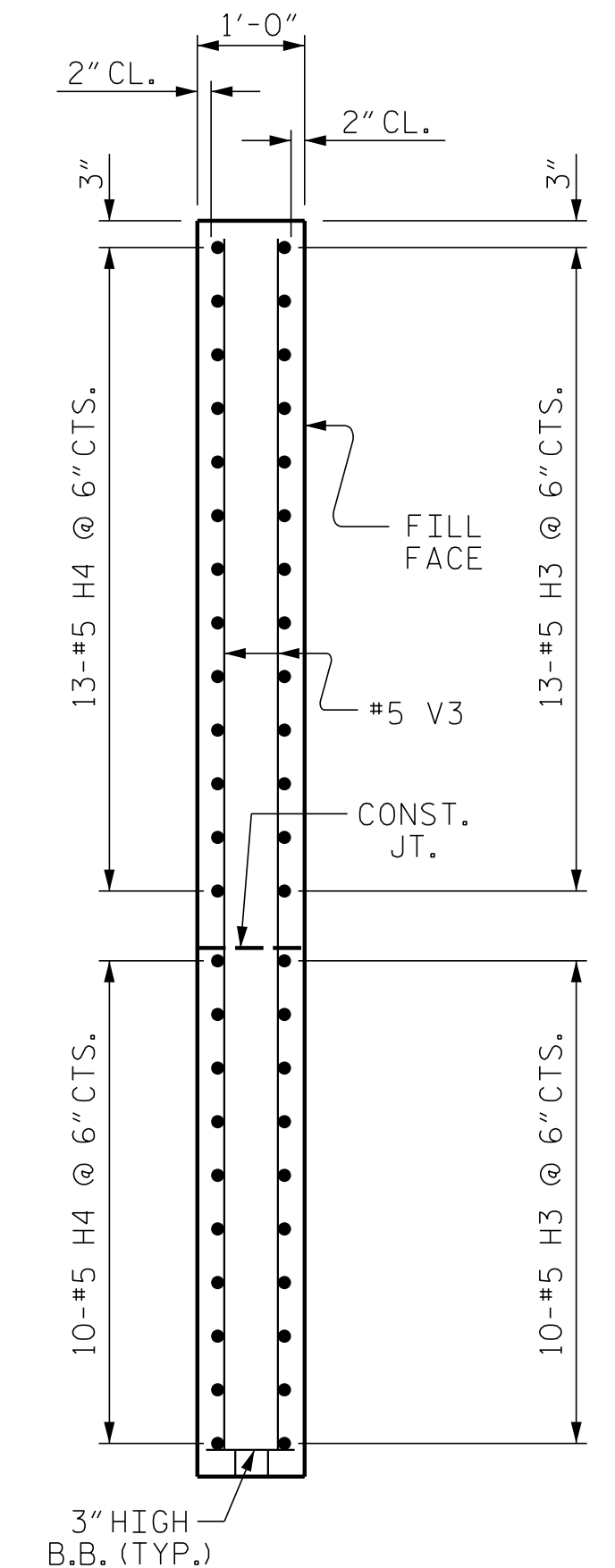
PLAN OF WING - W2



ELEVATION OF WING - W1



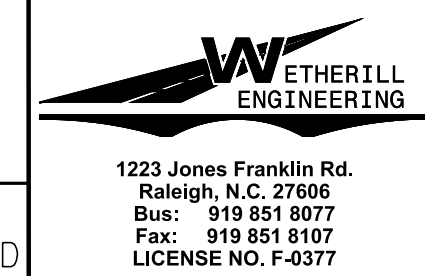
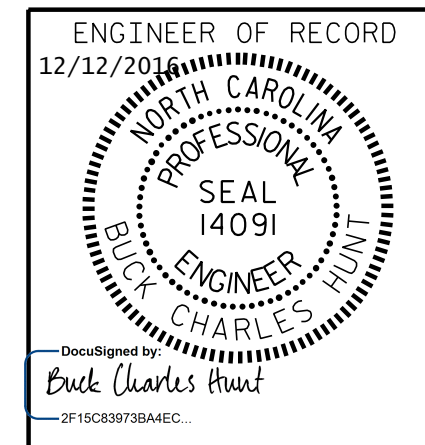
ELEVATION OF WING - W2



SECTION X-X

PROJECT NO. R-5719
 WAYNE COUNTY
 STATION: 39+11.12 -L-

SHEET 2 OF 3



| | | | | | |
|--|-----|-------|-----|-----|-----------------|
| STATE OF NORTH CAROLINA DEPARTMENT OF TRANSPORTATION RALEIGH | | | | | |
| SUBSTRUCTURE END BENT No. 2 (LEFT LANE) | | | | | |
| REVISIONS | | | | | |
| NO. | BY: | DATE: | NO. | BY: | DATE: |
| 1 | | | 3 | | |
| 2 | | | 4 | | |
| SHEET NO. S01-21 | | | | | TOTAL SHEETS 26 |

DOCUMENT NOT CONSIDERED FINAL
 UNLESS ALL SIGNATURES COMPLETED

P:\2015\A-5719\Structures\DWG\Left Lane\A-5719_LT_EBT_WE I.dgn
 12/16/2016 1:09:10 PM

DRAWN BY: D. HODGE DATE: 2/16
 CHECKED BY: J. DILWORTH DATE: 2/16