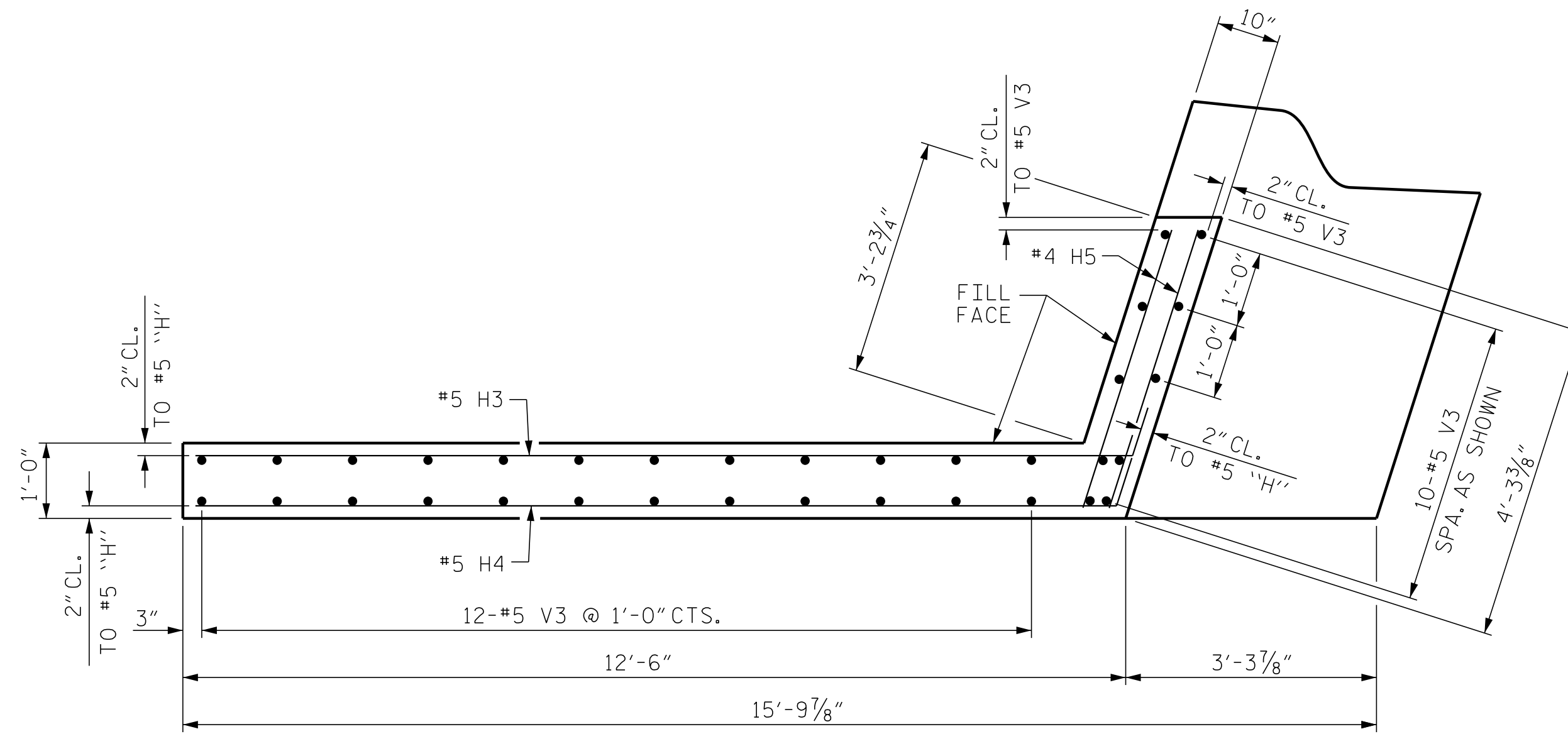
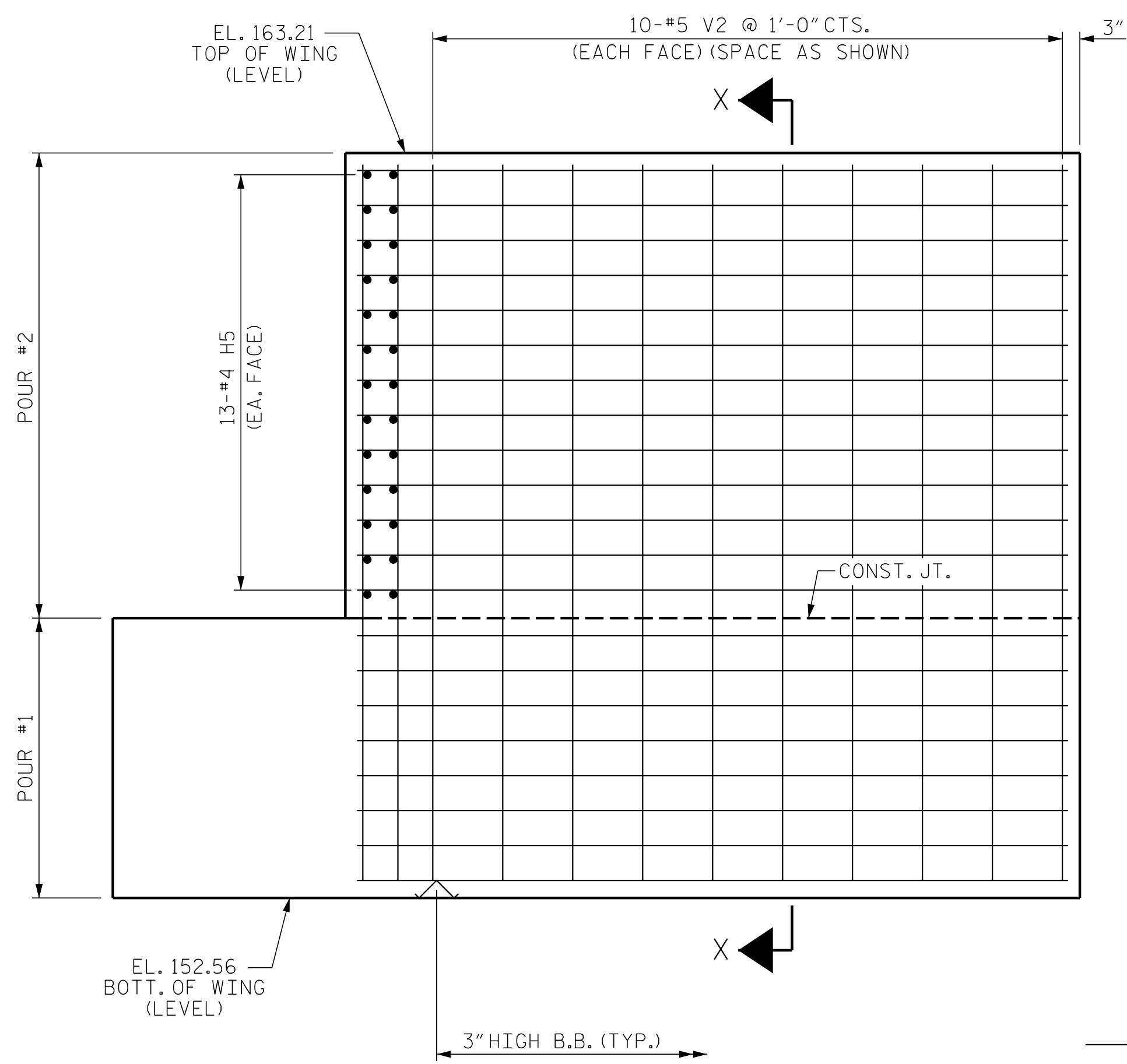


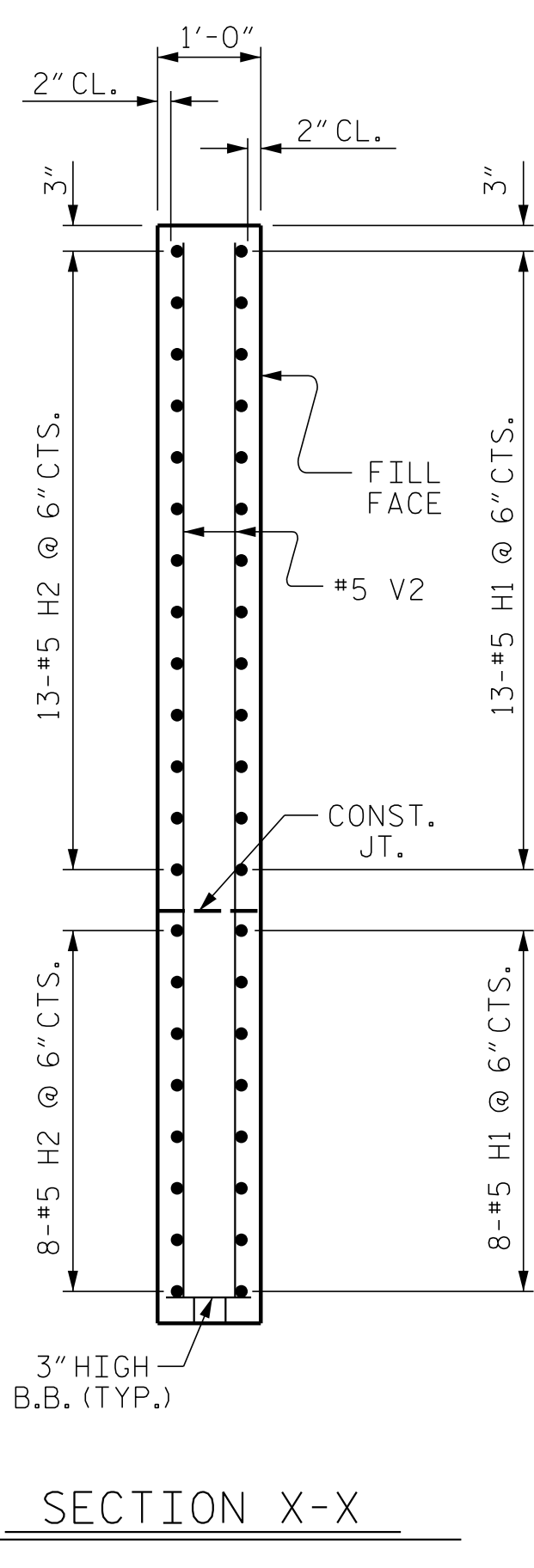
PLAN OF WING - W1



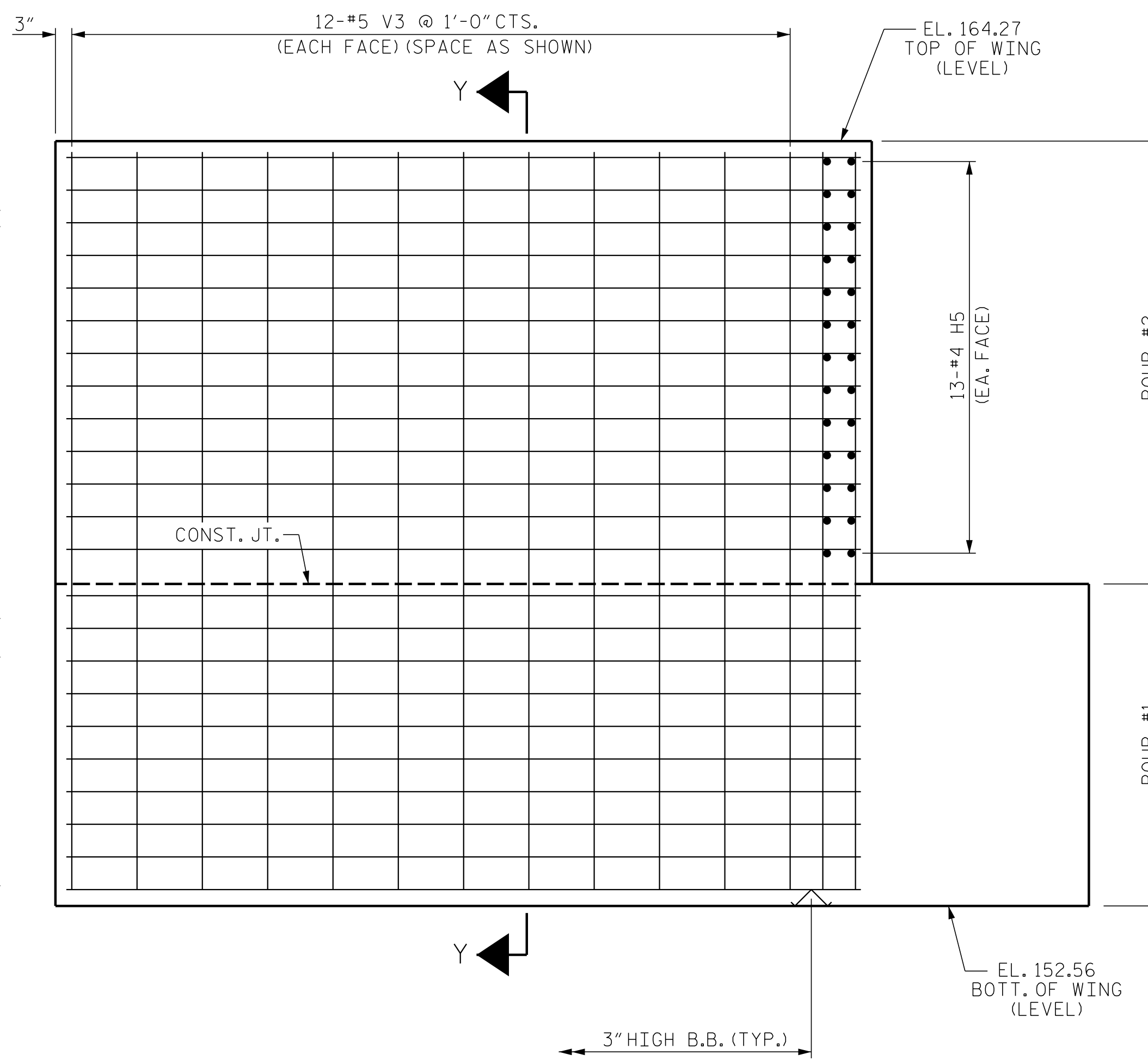
PLAN OF WING - W2



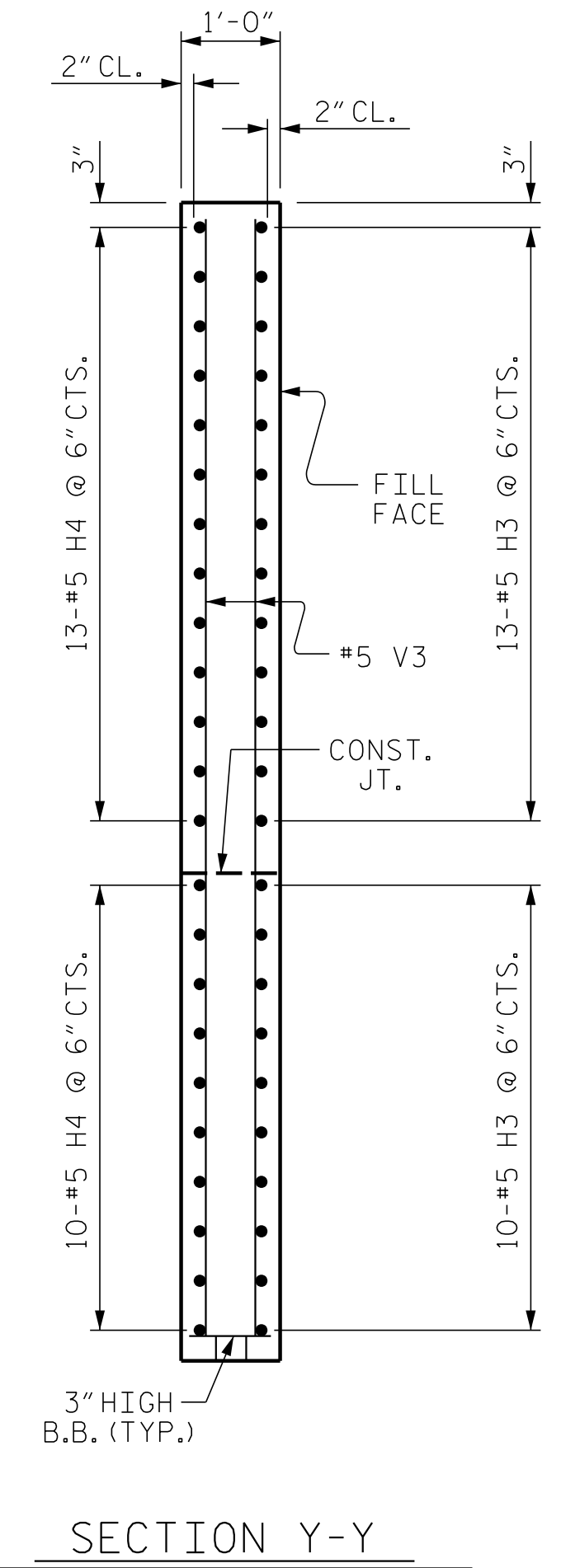
ELEVATION OF WING - W1



SECTION X-X



ELEVATION OF WING - W2



SECTION Y-Y

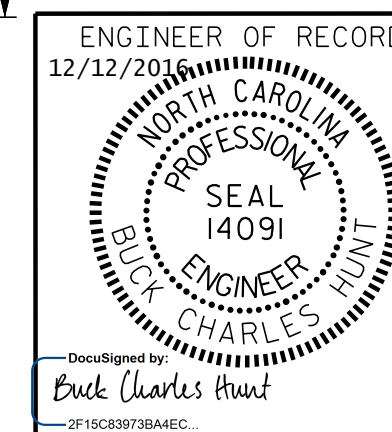
PROJECT NO. R-5719
 WAYNE COUNTY
 STATION: 39+11.12 -L-

SHEET 2 OF 3

P:\2015\A-5719\Structures\DWG\Left Lane\A-5719_LT_EBT_WE I.dgn
 12/16/2016 1:05:32 PM

DRAWN BY : D. HODGE DATE : 2/16
 CHECKED BY : J. DILWORTH DATE : 2/16

DOCUMENT NOT CONSIDERED FINAL
 UNLESS ALL SIGNATURES COMPLETED



ENGINEER OF RECORD
 12/12/2011
 NORTH CAROLINA
 PROFESSIONAL
 SEAL
 14091
 ENGINEER
 CHARLES HUNT
 2916C007846EC

STATE OF NORTH CAROLINA
 DEPARTMENT OF TRANSPORTATION
 RALEIGH

SUBSTRUCTURE
 END BENT No. 1
 (LEFT LANE)

REVISIONS

NO.	BY:	DATE:	NO.	BY:	DATE:
1			3		
2			4		

SHEET NO.
 SOL-18
 TOTAL SHEETS
 26