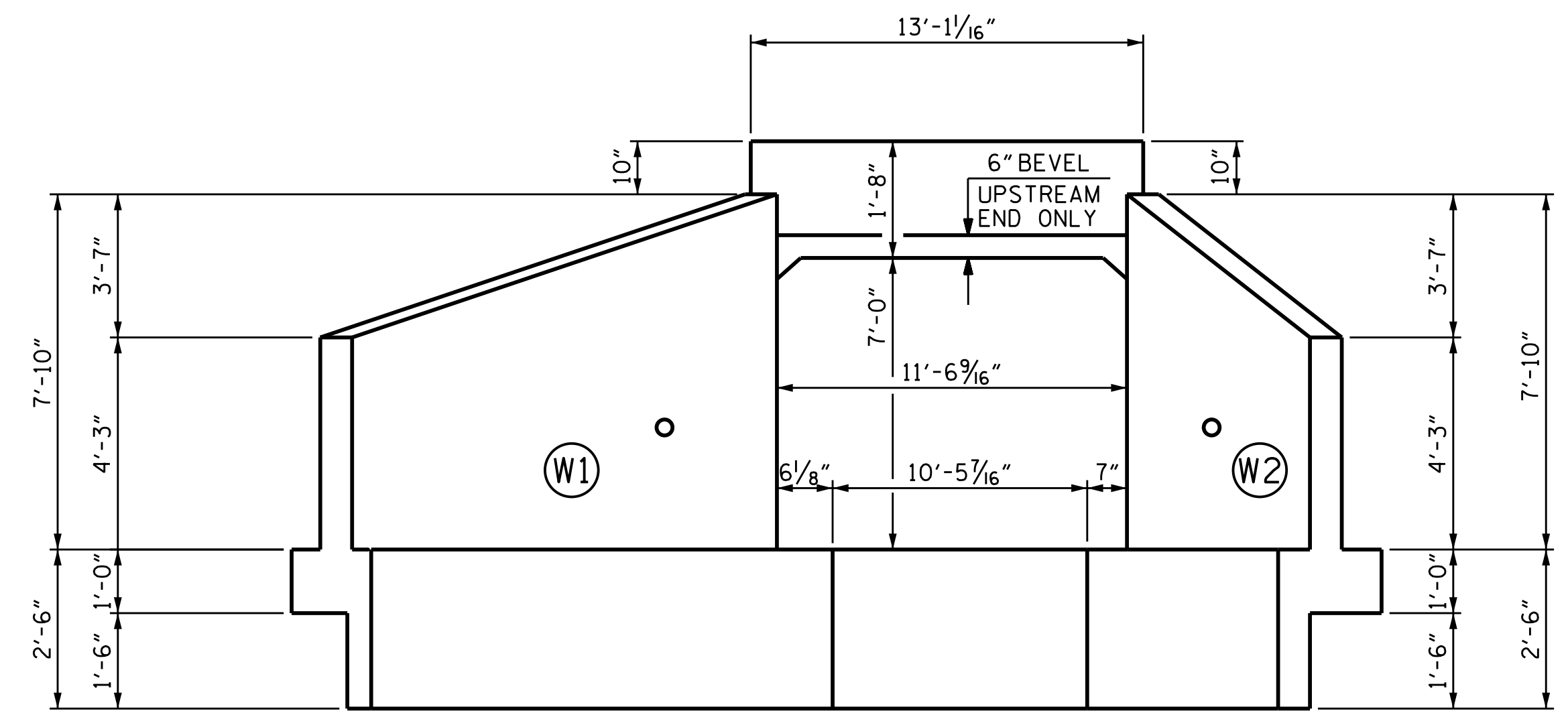
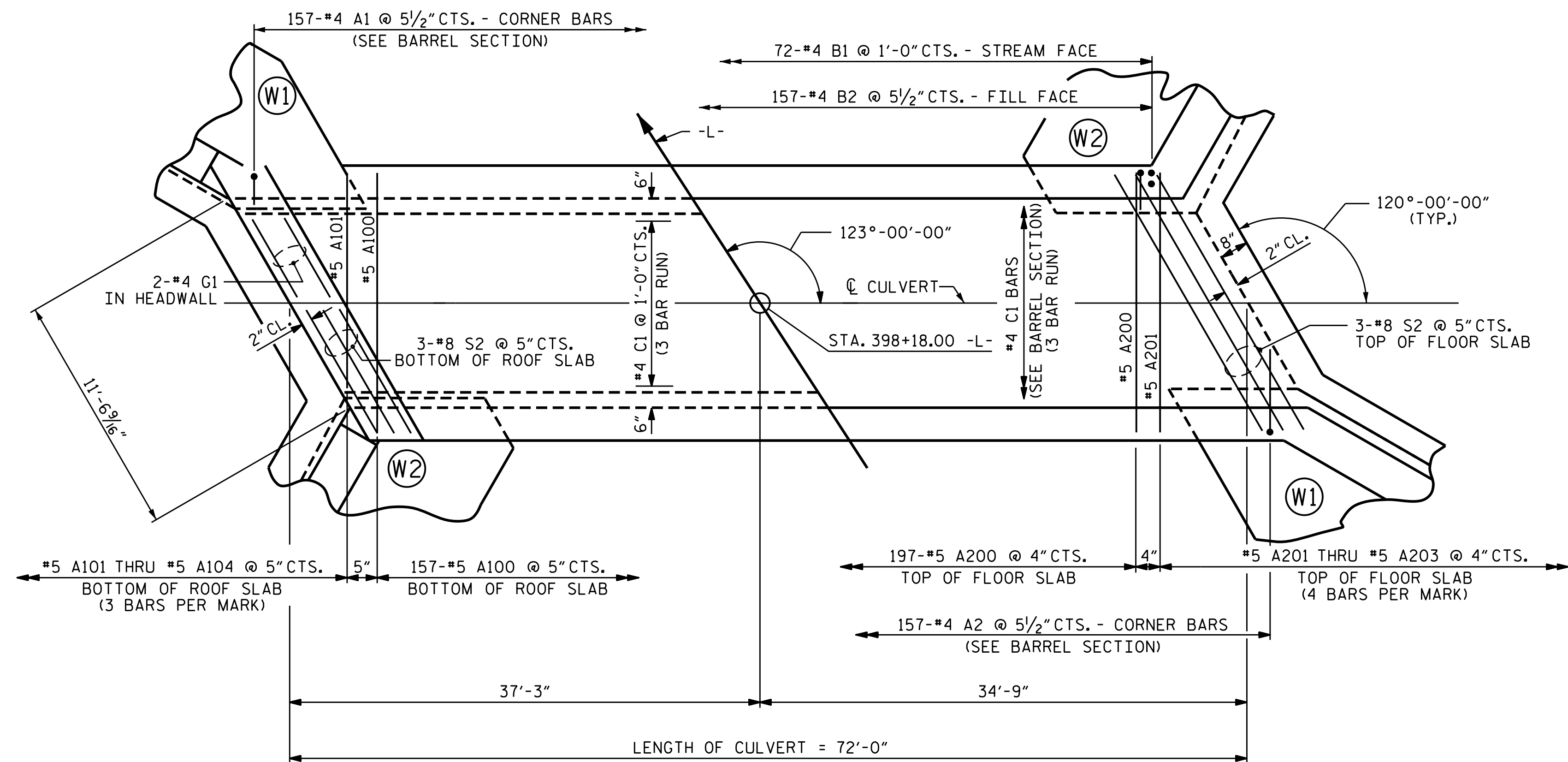


CULVERT SECTION NORMAL TO ROADWAY



END ELEVATION NORMAL TO SKEW



PART PLAN - ROOF SLAB

PART PLAN - FLOOR SLAB

PROJECT NO. W-5313
ROWAN COUNTY
 STATION: 398+18.00 -L-

SHEET 3 OF 5



STATE OF NORTH CAROLINA
 DEPARTMENT OF TRANSPORTATION
 RALEIGH
 BARREL STANDARD
 SINGLE 10 FT. X 7 FT.
 CONCRETE BOX CULVERT
 123° SKEW

ASSEMBLED BY : <u>M.E.GILES</u> DATE : <u>8/25/14</u>	SPECIAL
CHECKED BY : <u>N.D.AIUTO</u> DATE : <u>10/2/14</u>	
DRAWN BY : <u>J.W. ROUSE</u> DATE : <u>SEPT. 1989</u>	STANDARD
CHECKED BY : <u>A.R. BISSETTE</u> DATE : <u>AUG. 1989</u>	

DOCUMENT NOT CONSIDERED
 FINAL UNLESS ALL
 SIGNATURES COMPLETED

REVISIONS						SHEET NO.	
NO.	BY:	DATE:	NO.	BY:	DATE:	C-13	
1		3				TOTAL SHEETS	15
2		4					