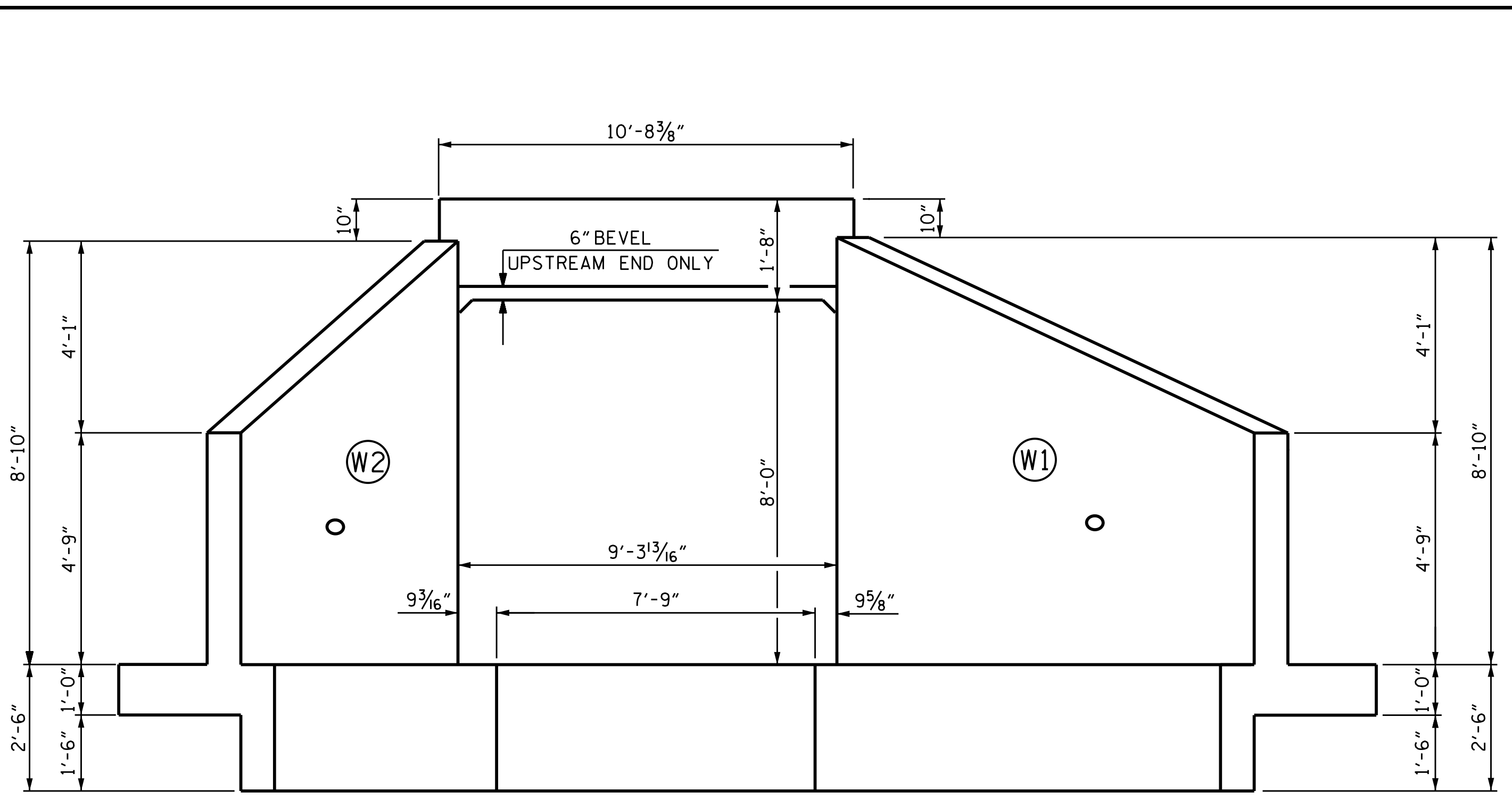
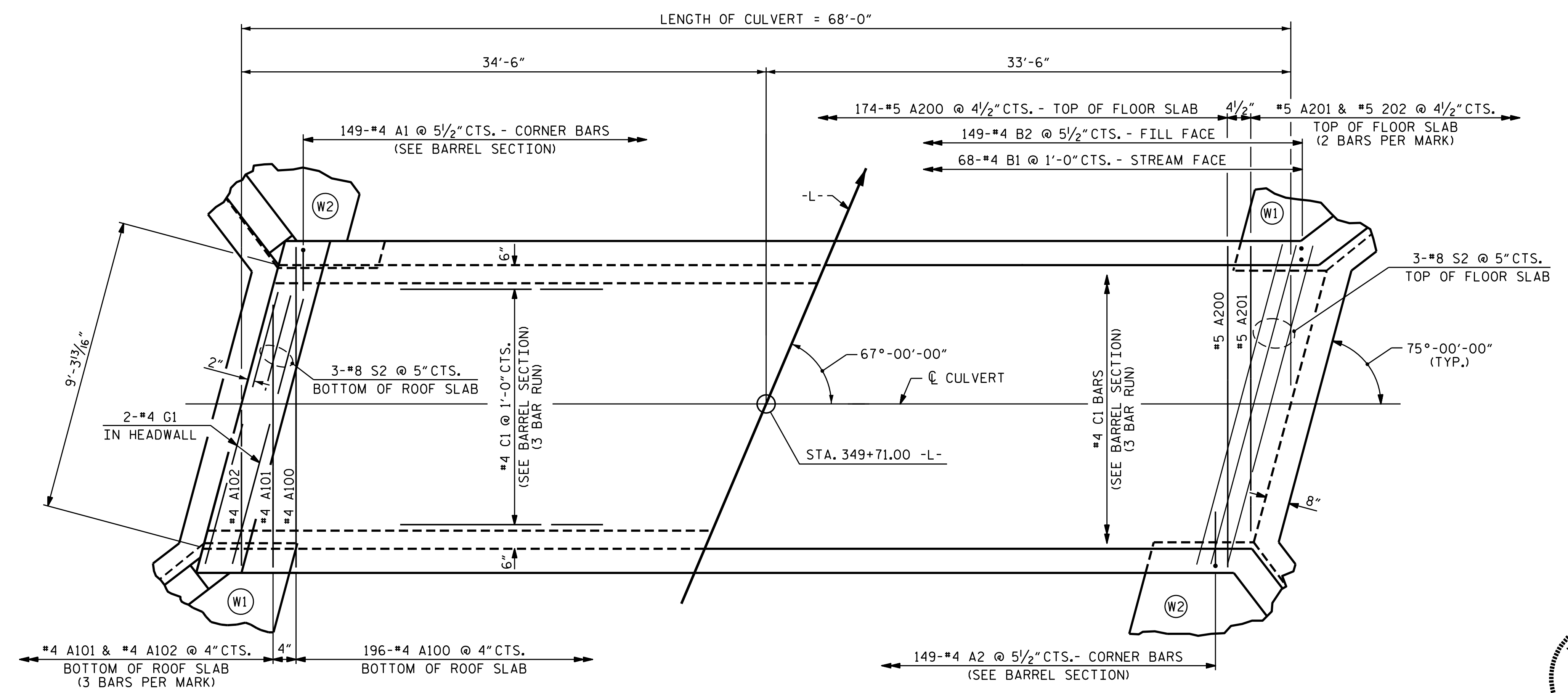


CULVERT SECTION NORMAL TO ROADWAY



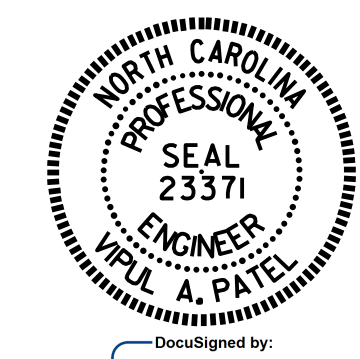
END ELEVATION NORMAL TO SKEW



PART PLAN - ROOF SLAB

PART PLAN - FLOOR SLAB

PROJECT NO. W-5313
ROWAN COUNTY
 STATION: 349+71.00 -L-
 SHEET 3 OF 5



STATE OF NORTH CAROLINA
 DEPARTMENT OF TRANSPORTATION
 RALEIGH
 BARREL STANDARD
 SINGLE 9 FT. X 8 FT.
 CONCRETE BOX CULVERT
 67° SKEW

ASSEMBLED BY: N.D.AIUTO DATE: 8/15/14
 CHECKED BY: M.E.GILES DATE: 8/28/14
 DESIGN ENGINEER OF RECORD: N.D.AIUTO DATE: 8/28/14

DOCUMENT NOT CONSIDERED
 FINAL UNLESS ALL
 SIGNATURES COMPLETED

REVISIONS						SHEET NO.	
NO.	BY:	DATE:	NO.	BY:	DATE:	C-8	
1			3			TOTAL	15
2			4				