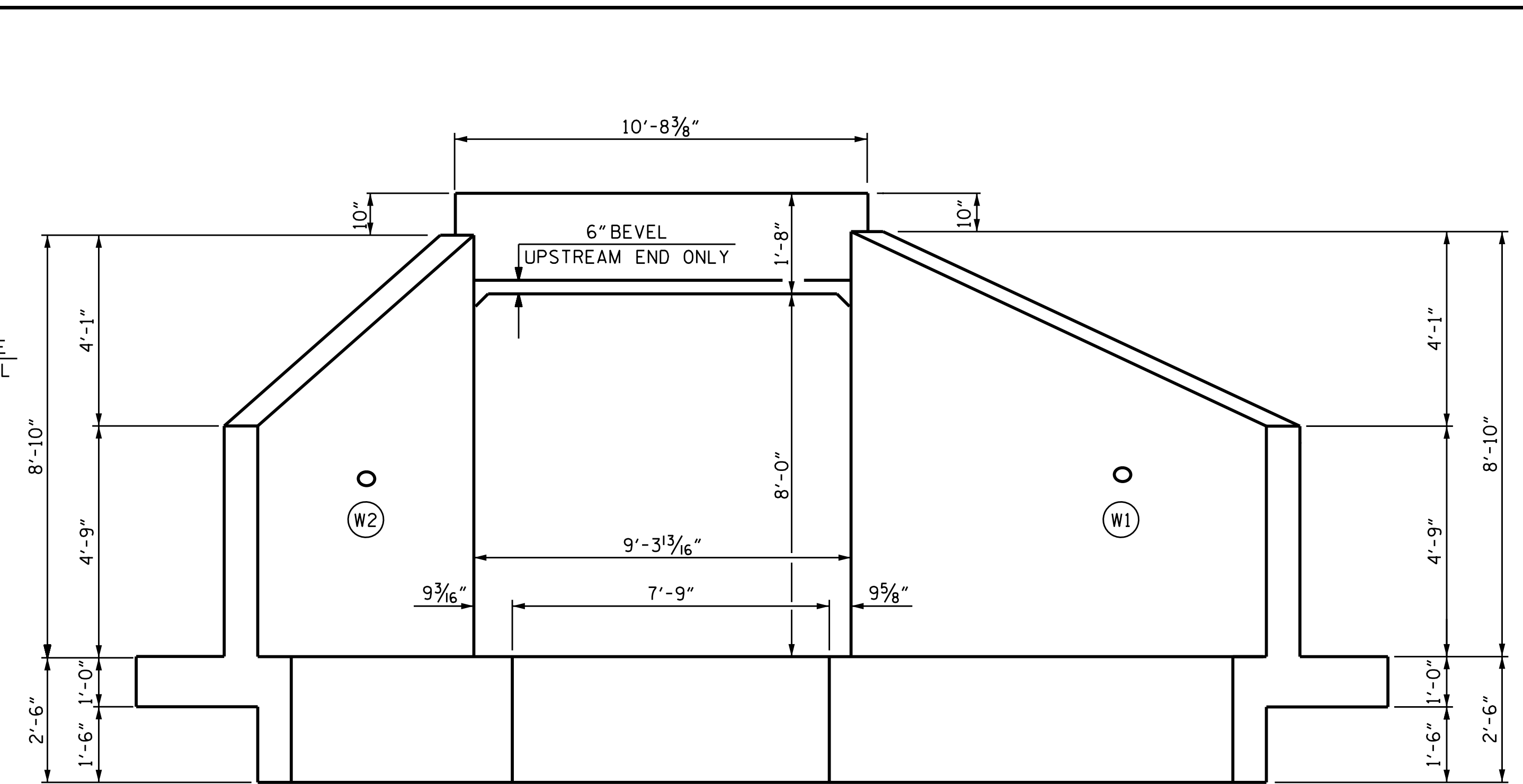
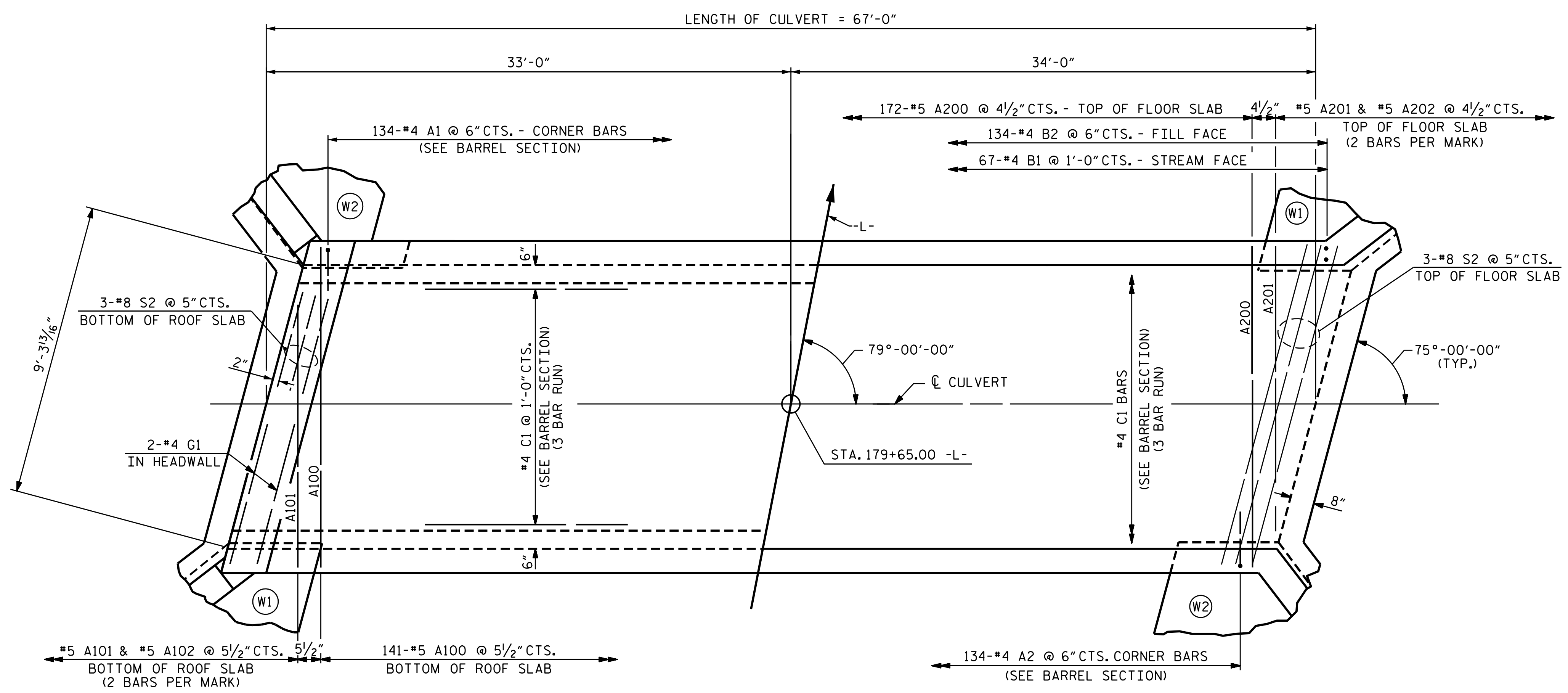


CULVERT SECTION NORMAL TO ROADWAY



END ELEVATION NORMAL TO SKEW

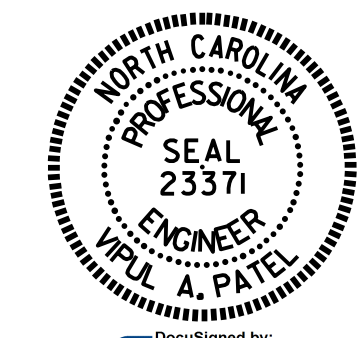


PART PLAN - ROOF SLAB

PART PLAN - FLOOR SLAB

PROJECT NO. W-5313
ROWAN COUNTY
 STATION: 179+65.00 -L-

SHEET 3 OF 5



STATE OF NORTH CAROLINA
 DEPARTMENT OF TRANSPORTATION
 RALEIGH
 BARREL STANDARD
 SINGLE 9 FT. X 8 FT.
 CONCRETE BOX CULVERT
 79° SKEW

REVISIONS						SHEET NO.	
NO.	BY:	DATE:	NO.	BY:	DATE:	C-3	
1			3			TOTAL	15
2			4			SHEETS	

DOCUMENT NOT CONSIDERED FINAL UNLESS ALL SIGNATURES COMPLETED

DRAWN BY: N.D'AIUTO DATE: 8/8/14
 CHECKED BY: H.A.LOCKLEAR DATE: 8/20/14
 DESIGN ENGINEER OF RECORD: N.D'AIUTO DATE: 8/20/14

REVISED 8-28-92 BY E.L.R. CHECKED BY G.R.P.
 REVISED 8-22-89 BY A.R.B. CHECKED BY C.R.K.
 REDRAWN 8-22-89
 REVISED 11-19-99 BY M.M. CHECKED BY R.W.W.