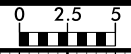


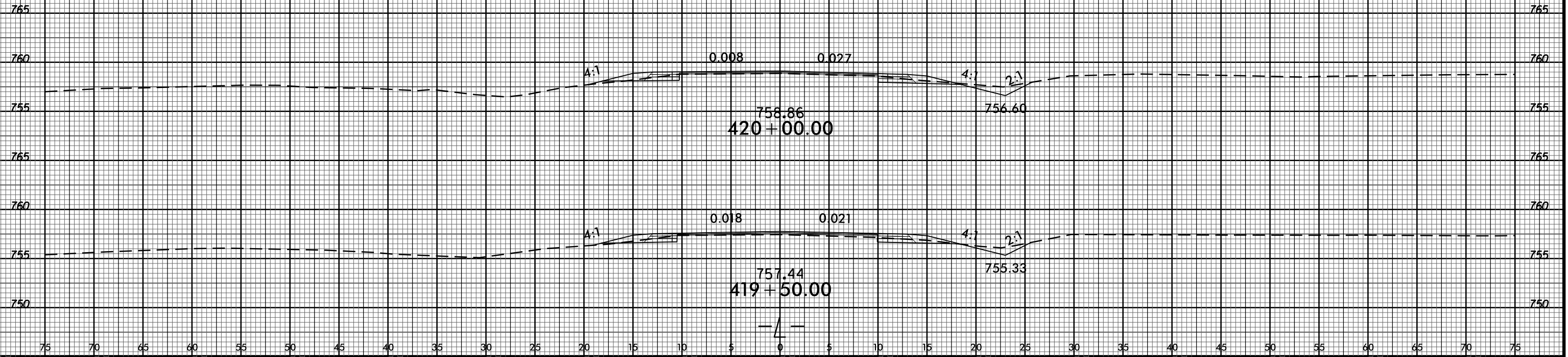
8/23/99



PROJ. REFERENCE NO.
W-5313

SHEET NO.
X-143

75 70 65 60 55 50 45 40 35 30 25 20 15 10 5 0 5 10 15 20 25 30 35 40 45 50 55 60 65 70 75



30-MAR-2017 17:22
 R:\Roadwork\CurvedModeling\W-5313_Rdy_.xp_L2.dgn
 \$\$\$USERNAME\$\$\$