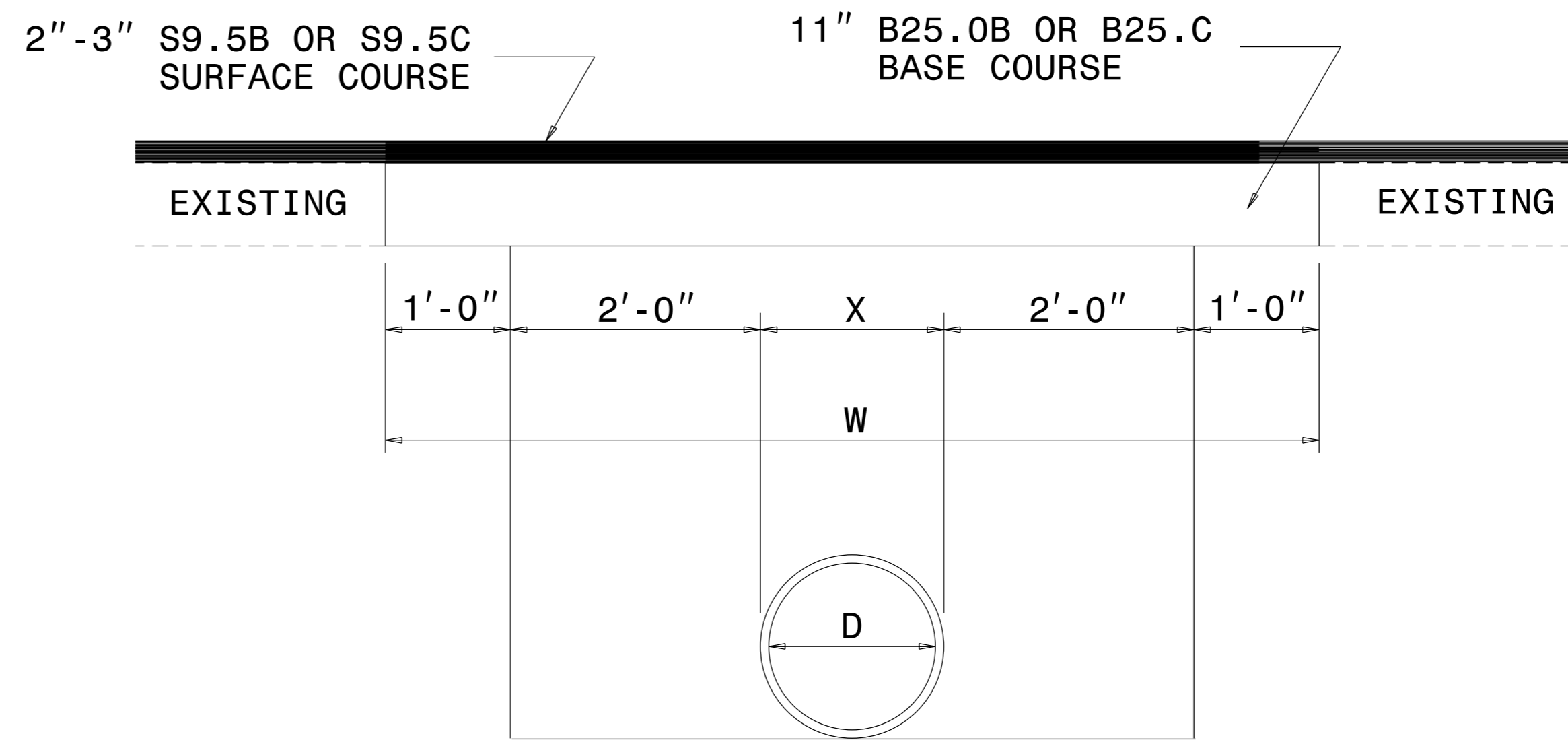


STATE OF NORTH CAROLINA
DEPT. OF TRANSPORTATION
DIVISION OF HIGHWAYS
RALEIGH, N.C.

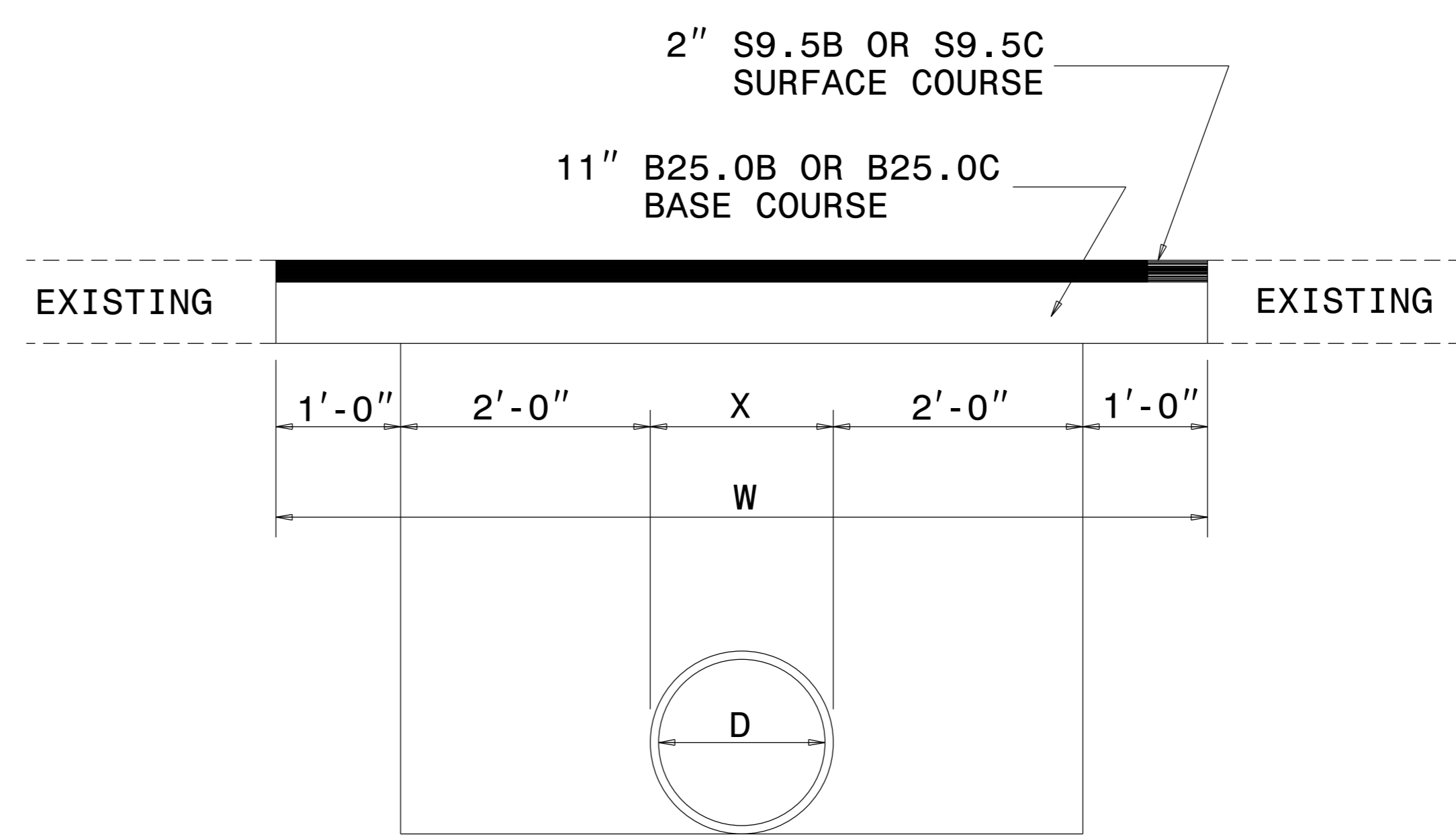
ENGLISH DETAIL DRAWING FOR
PAVEMENT REPAIRS
FOR SUPERPAVE MIX TYPES

SHEET 1 OF 1
654D01

D	X	W
12"	1'-4"	7'-4"
15"	1'-7"	7'-7"
18"	1'-10"	7'-10"
24"	2'-6"	8'-6"
30"	3'-1"	9'-1"
36"	3'-8"	9'-8"
42"	4'-5"	10'-5"
48"	5'-0"	11'-0"
54"	5'-8"	11'-8"
60"	6'-2"	12'-2"



**PAVEMENT REPAIRS ON ROADS TO BE RESURFACED
(PIPE IS PLACED UNDER EXISTING PAVEMENT)**



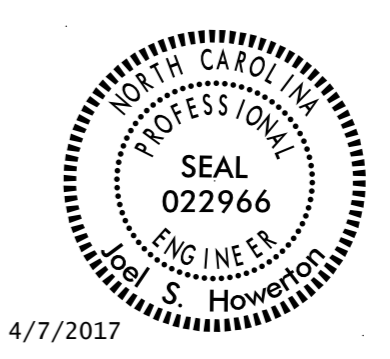
**PAVEMENT REPAIRS ON ROADS NOT TO BE RESURFACED
(PIPE IS TO BE PLACED UNDER EXISTING PAVEMENT)**

STATE OF NORTH CAROLINA
DEPT. OF TRANSPORTATION
DIVISION OF HIGHWAYS
RALEIGH, N.C.

ENGLISH DETAIL DRAWING FOR
PAVEMENT REPAIRS
FOR SUPERPAVE MIX TYPES

SHEET 1 OF 1
654D01

5/14/99
\$\$\$\$\$CUTME\$\$\$\$\$
\$\$\$\$\$XCTIME\$\$\$\$\$
\$\$\$\$\$YCTIME\$\$\$\$\$
\$\$\$\$\$ZCTIME\$\$\$\$\$
\$\$\$\$\$DICTIME\$\$\$\$\$
\$\$\$\$\$EUSERNAME\$\$\$\$\$



4/7/2017
DocuSigned by:
Joel Howerton
873F3D17DCDC45F

DOCUMENT NOT CONSIDERED FINAL
UNLESS ALL SIGNATURES COMPLETED

**CONTRACT STANDARDS
AND DEVELOPMENT UNIT**
Office 919-707-6950 FAX 919-250-4119

SEE TITLE BLOCK

ORIGINAL BY: J.S. HOWERTON DATE: 5/6/15
MODIFIED BY: _____ DATE: _____
CHECKED BY: _____ DATE: _____
FILE SPEC: jhowerton\654D01.dgn