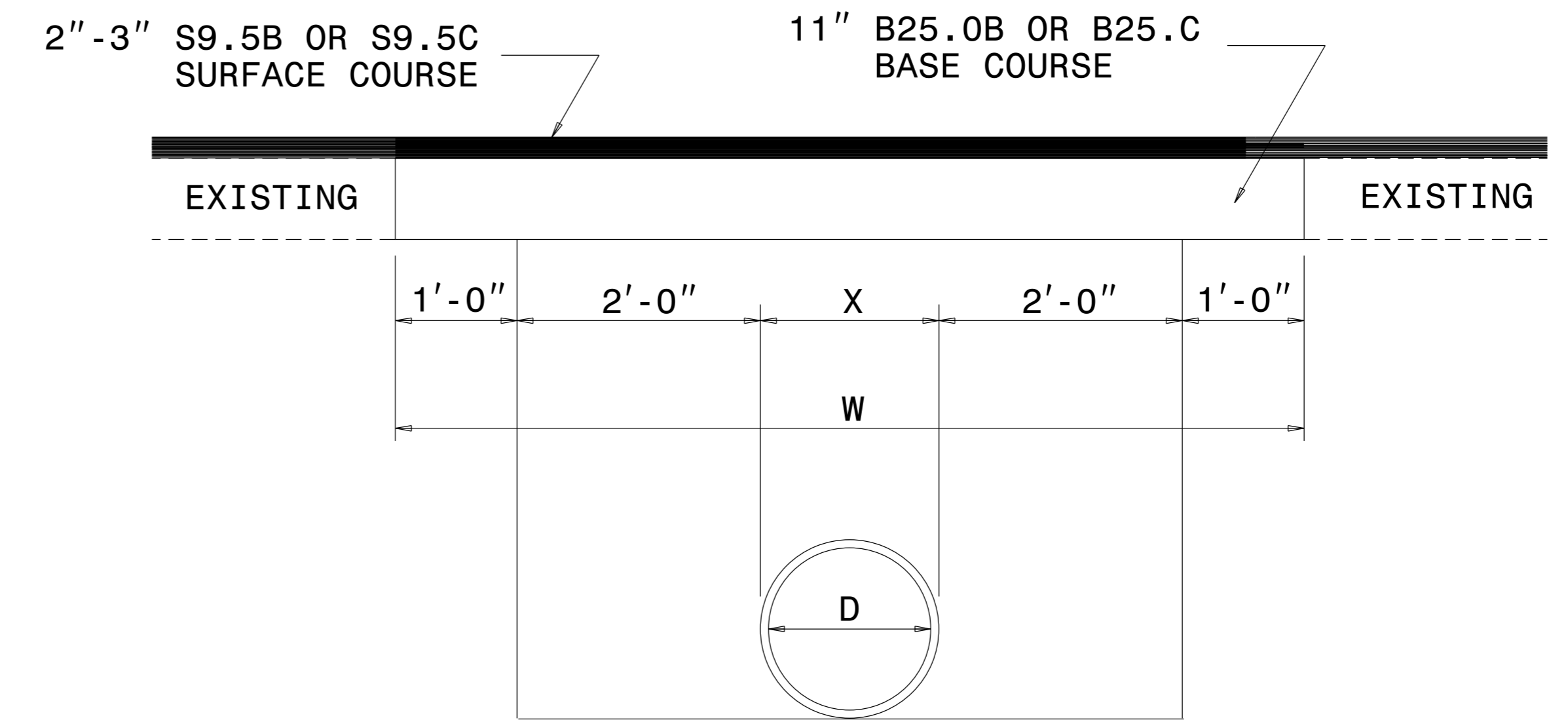


STATE OF NORTH CAROLINA  
DEPT. OF TRANSPORTATION  
DIVISION OF HIGHWAYS  
RALEIGH, N.C.

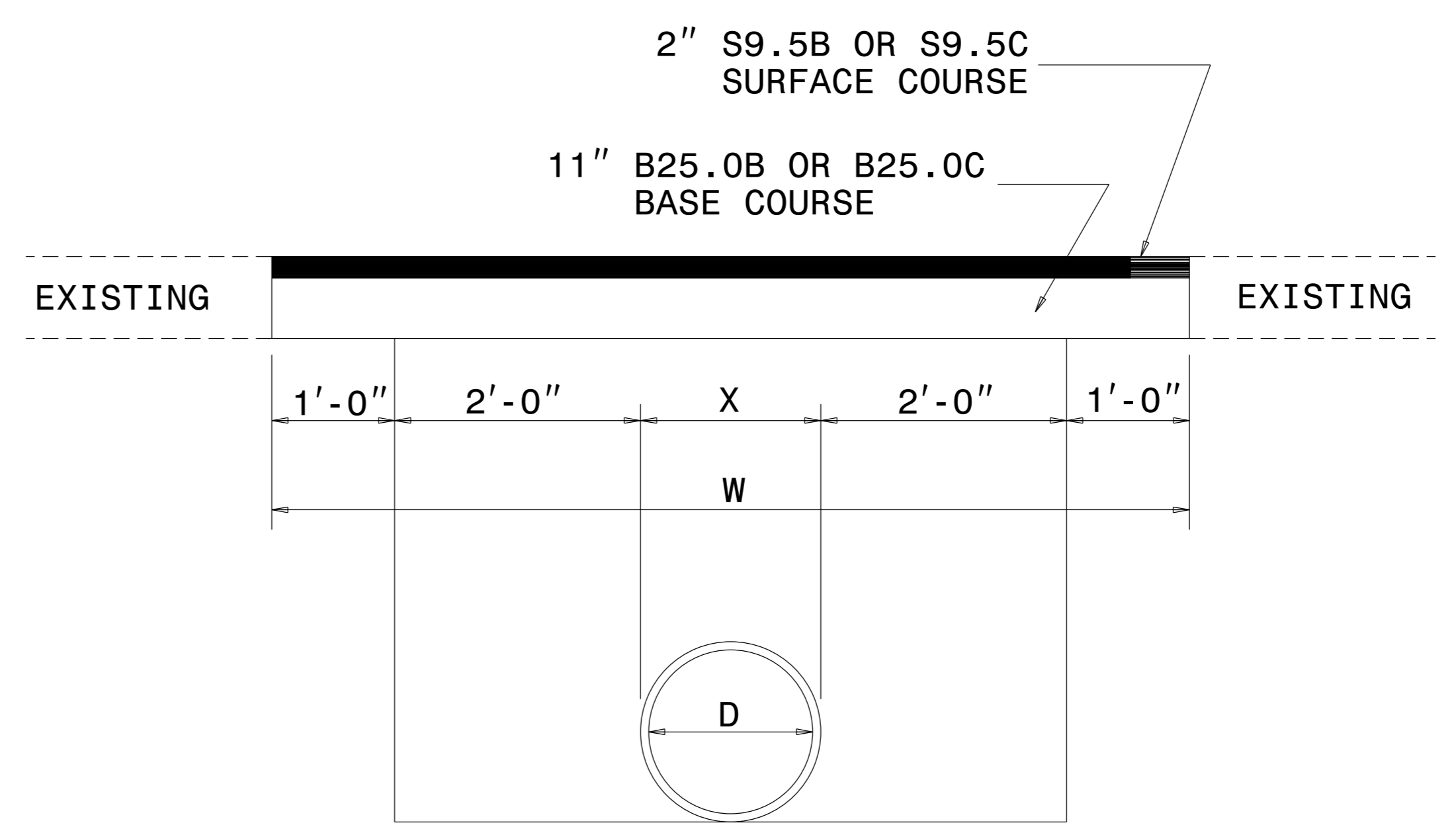
ENGLISH DETAIL DRAWING FOR  
**PAVEMENT REPAIRS**  
FOR SUPERPAVE MIX TYPES

SHEET 1 OF 1  
**654D01**

D	X	W
12"	1'-4"	7'-4"
15"	1'-7"	7'-7"
18"	1'-10"	7'-10"
24"	2'-6"	8'-6"
30"	3'-1"	9'-1"
36"	3'-8"	9'-8"
42"	4'-5"	10'-5"
48"	5'-0"	11'-0"
54"	5'-8"	11'-8"
60"	6'-2"	12'-2"



**PAVEMENT REPAIRS ON ROADS TO BE RESURFACED  
(PIPE IS PLACED UNDER EXISTING PAVEMENT)**



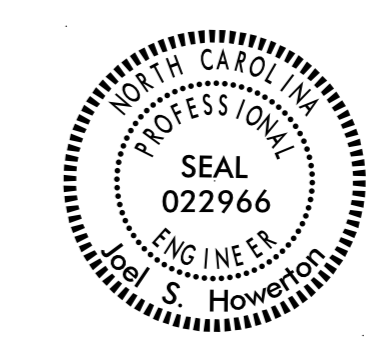
**PAVEMENT REPAIRS ON ROADS NOT TO BE RESURFACED  
(PIPE IS TO BE PLACED UNDER EXISTING PAVEMENT)**

STATE OF NORTH CAROLINA  
DEPT. OF TRANSPORTATION  
DIVISION OF HIGHWAYS  
RALEIGH, N.C.

ENGLISH DETAIL DRAWING FOR  
**PAVEMENT REPAIRS**  
FOR SUPERPAVE MIX TYPES

SHEET 1 OF 1  
**654D01**

5/14/99  
\$\$\$\$\$C:\TIME\$\$\$\$\$  
\$\$\$\$\$D:\CON\$\$\$\$\$  
\$\$\$\$\$USERNAME\$\$\$\$\$



**CONTRACT STANDARDS AND DEVELOPMENT UNIT**  
Office 919-707-6950 FAX 919-250-4119

**SEE TITLE BLOCK**

ORIGINAL BY: J.S. HOWERTON DATE: 5/6/15  
MODIFIED BY: \_\_\_\_\_ DATE: \_\_\_\_\_  
CHECKED BY: \_\_\_\_\_ DATE: \_\_\_\_\_  
FILE SPEC: jhowerton\654D01.dgn

DOCUMENT NOT CONSIDERED FINAL  
UNLESS ALL SIGNATURES COMPLETED