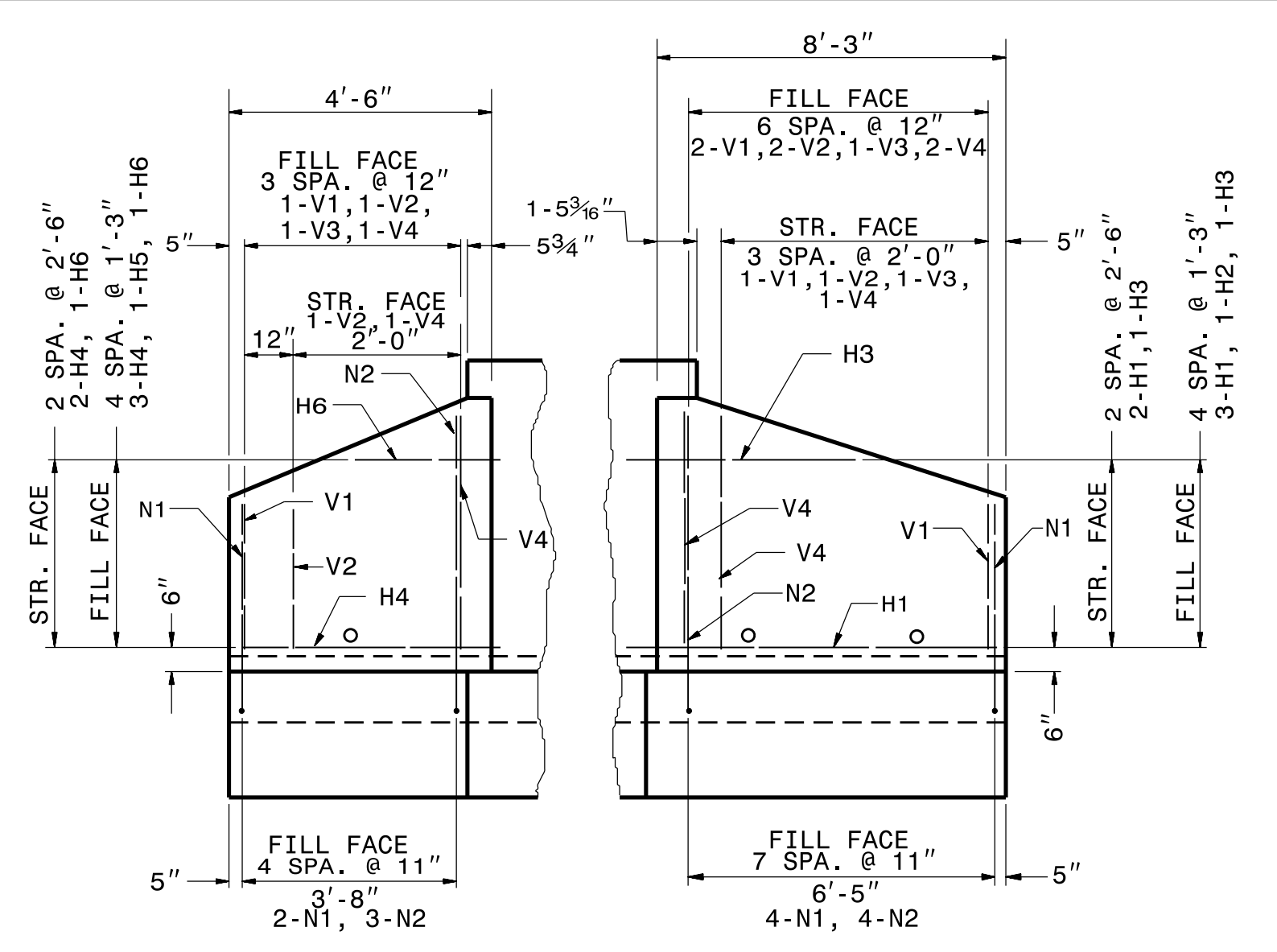
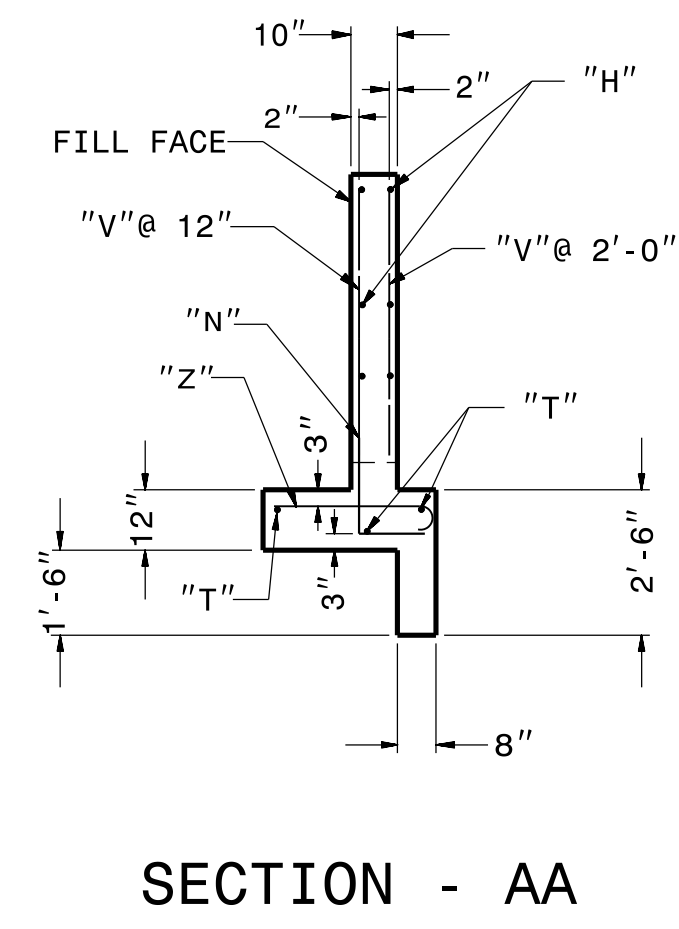
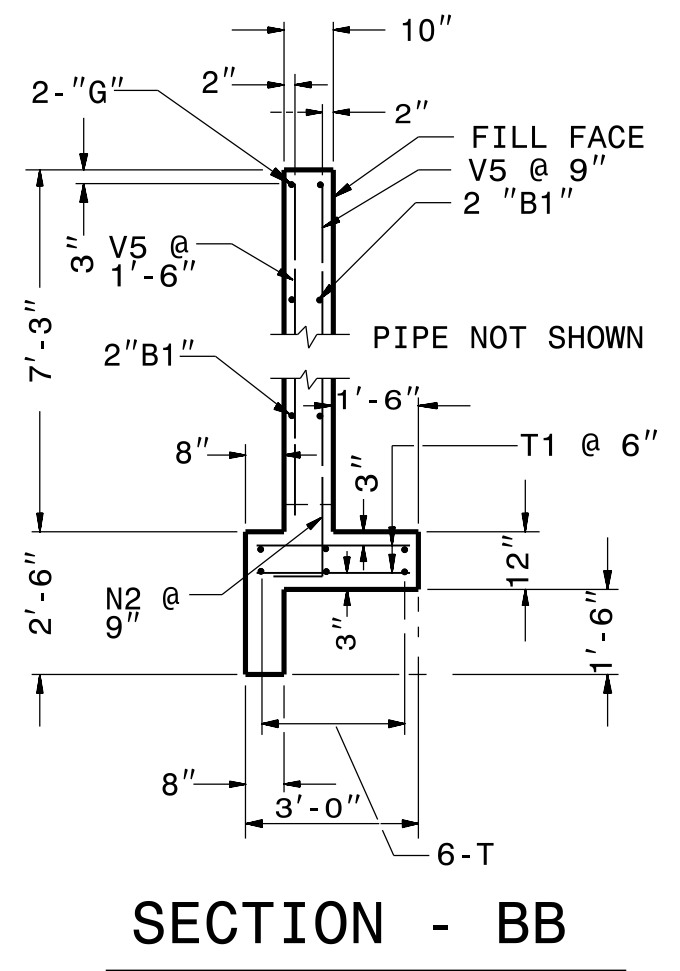
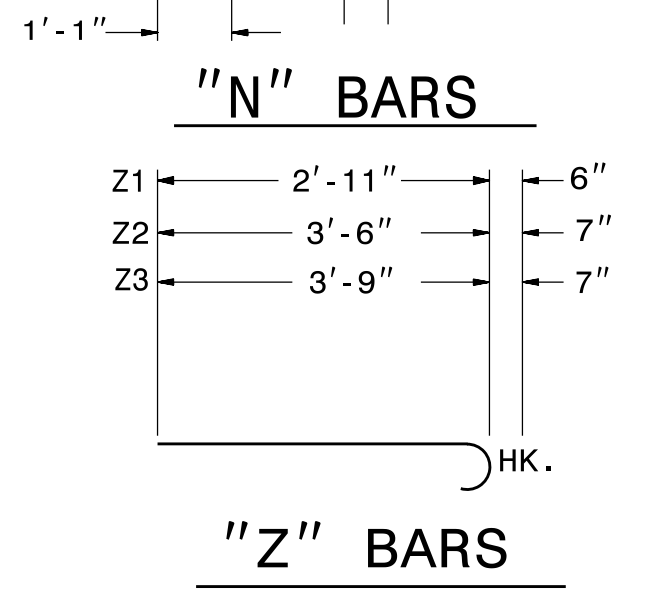
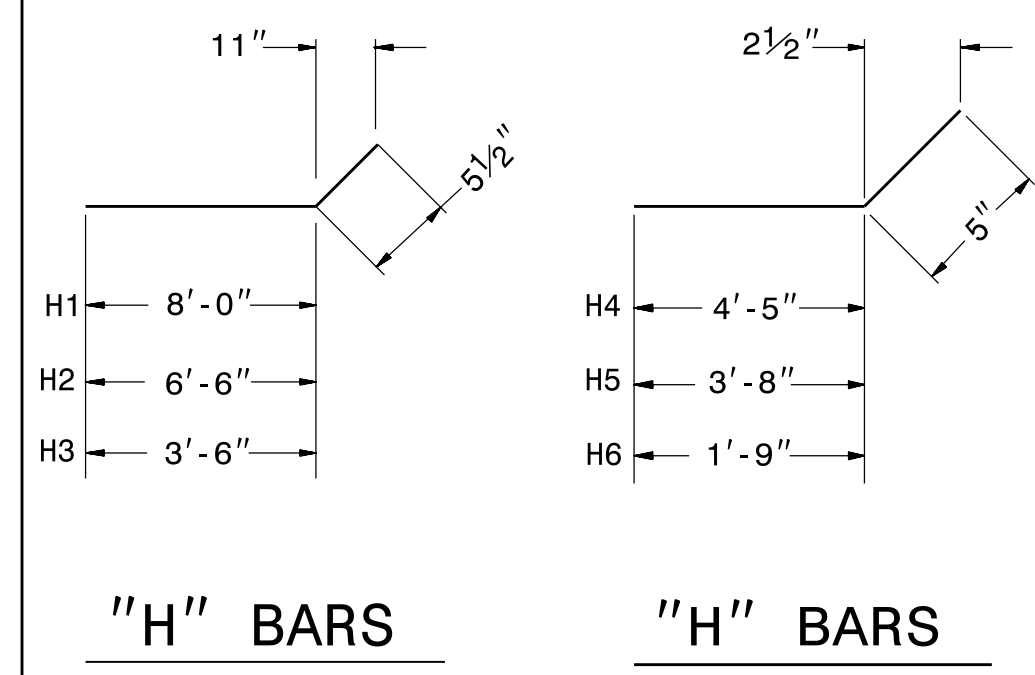
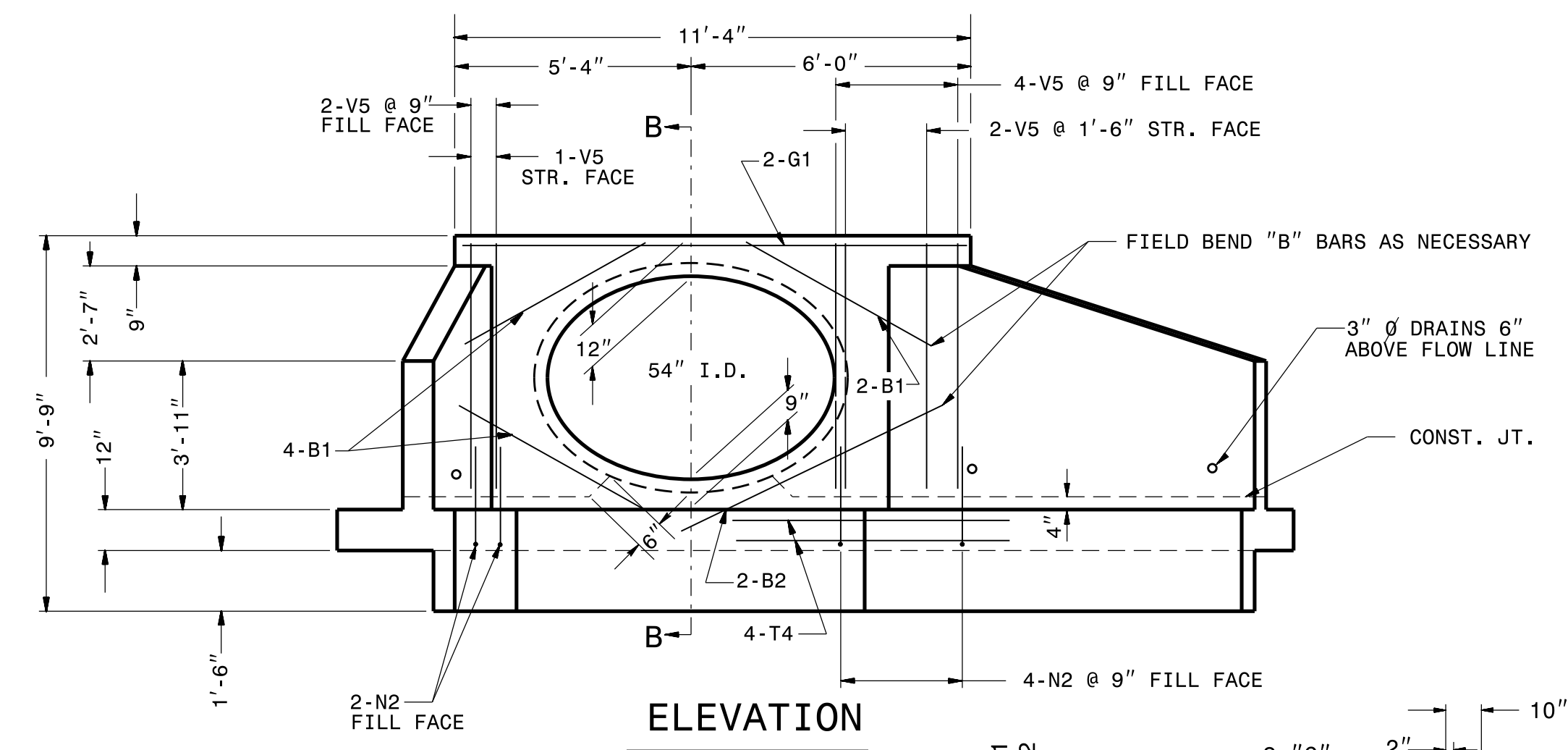
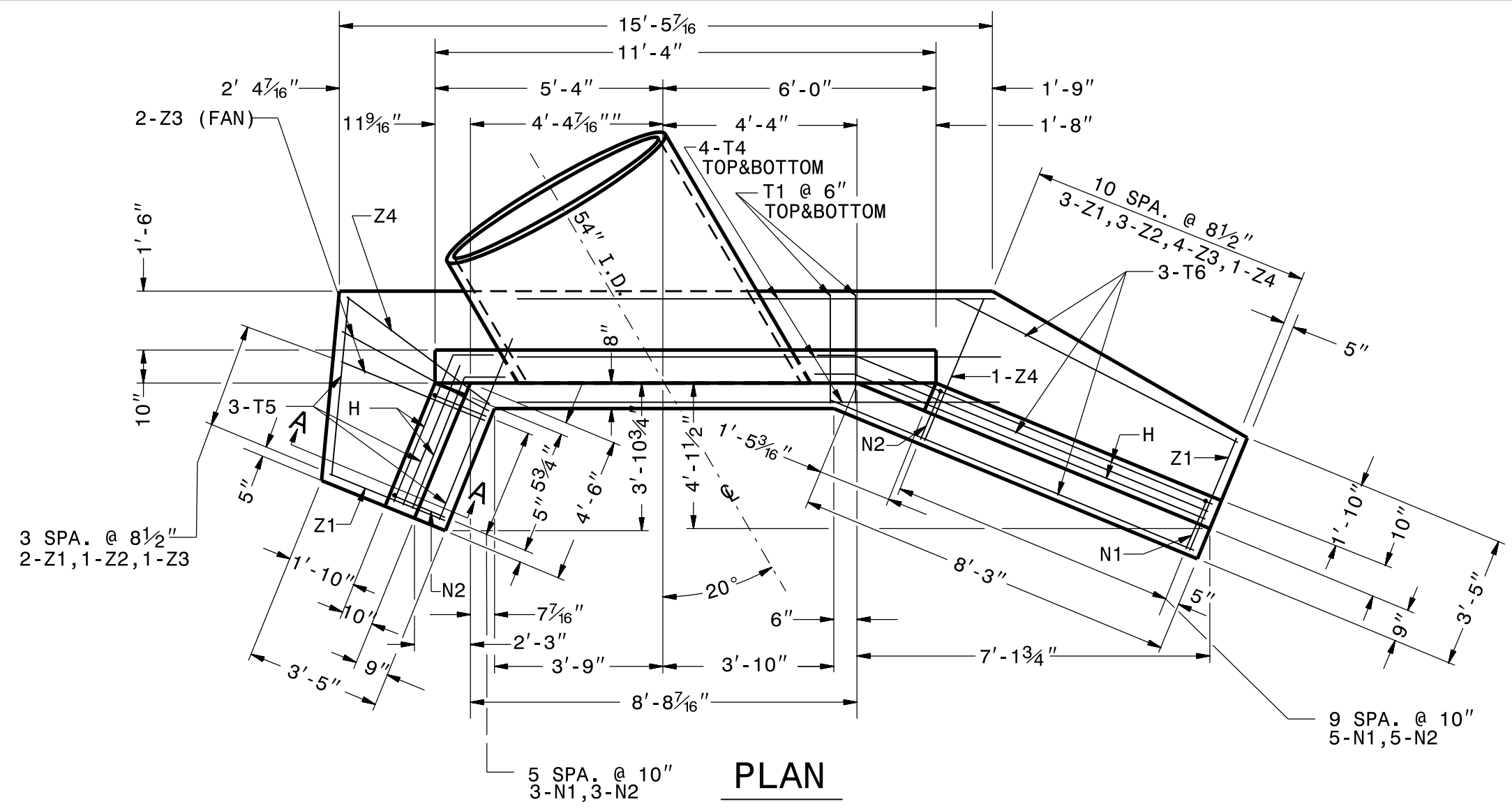


STATE OF NORTH CAROLINA
DEPT. OF TRANSPORTATION
DIVISION OF HIGHWAYS
RALEIGH, N.C.

ENGLISH DETAIL DRAWING FOR
REINFORCED CONCRETE ENDWALL
FOR SINGLE 54" PIPE 70° SKEW

SHEET 1 OF 1
838D35



NOTES:
ALL CONCRETE TO BE CLASS "A".
ALL REINFORCING STEEL TO BE ASTM A615-GRADE 60.
ALL REINFORCING STEEL TO BE DEFORMED BARS. WHERE SPLICING OF REINFORCEMENT IS NECESSARY, BARS ARE TO BE LAPPED AS DIAMETERS. ALL DIMENSIONS RELATIVE TO REINFORCEMENT ARE TO CENTERS OF BARS.
THE FOOTING, CURTAIN WALL AND 4" OF WALL ARE TO BE POURED IN ONE OPERATION ALLOWING NO TIME FOR INITIAL SET TO TAKE PLACE BETWEEN THEM. THE REMAINING WALL SHALL THEN BE POURED IN ONE OPERATION.
ALL EXPOSED CORNERS ARE TO BE CHAMFERED 1".
3" DIAMETER DRAINS TO BE PLACED IN WALL AS SHOWN AND BE 6" ABOVE NORMAL FLOW LINE.
ALL MATERIAL AND WORKMANSHIP AS PER N.C. DEPARTMENT OF TRANSPORTATION STANDARD SPECIFICATIONS.
DIMENSIONS AND QUANTITIES MAY BE ADJUSTED BY THE ENGINEER.

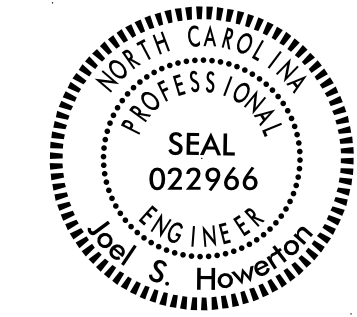
REINFORCING STEEL		1 - PIPE	
BAR	SIZE	LENGTH	NO. WEIGHT
Z1	#4	3'-5"	8 18
Z2	#5	4'-1"	7 30
Z3	#5	4'-4"	1 5
N1	#4	3'-5"	6 14
N2	#5	3'-11"	13 53
V1	#4	3'-5"	4 9
V2	#4	4'-2"	5 14
V3	#4	4'-10"	3 10
V4	#4	5'-5"	5 10
V5	#4	6'-8"	9 40
H1	#4	8'-11"	5 30
H2	#4	7'-5"	1 5
H3	#4	4'-5"	2 6
H4	#4	4'-10"	5 16
H5	#4	4'-1"	1 3
H6	#4	2'-2"	2 3
G1	#7	10'-8"	2 44
T1	#4	2'-6"	46 77
T4	#4	15'-0"	6 60
T5	#4	4'-9"	3 10
T6	#4	8'-0"	3 16
B1	#4	5'-6"	6 22
B2	#4	7'-6"	2 10
REINF. STEEL LBS.			505
CONC./C.M. CU. YDS.			7.5
CONC./R.C. CU. YDS.			7.1

DRAWING NOT TO SCALE

STATE OF NORTH CAROLINA
DEPT. OF TRANSPORTATION
DIVISION OF HIGHWAYS
RALEIGH, N.C.

ENGLISH DETAIL DRAWING FOR
REINFORCED CONCRETE ENDWALL
FOR SINGLE 54" PIPE 70° SKEW

SHEET 1 OF 1
838D35



CONTRACT STANDARDS & DEVELOPMENT UNIT
STANDARDS AND SPECIAL DESIGN
Office 919-707-6950 FAX 919-250-4119

DETAIL OF REINFORCED CONCRETE ENDWALL FOR SINGLE 54" DIAMETER PIPE - 70° SKEW

ORIGINAL BY: _____ DATE: _____
MODIFIED BY: rnbritt DATE: 03-11-16
CHECKED BY: _____ DATE: _____
FILE SPEC.: details/rnbritt/english/hydro/w5313 54endwall_70sk.dgn

DOCUMENT NOT CONSIDERED FINAL
UNLESS ALL SIGNATURES COMPLETED

\$\$\$\$\$X-TEXT\$\$\$\$\$
\$\$\$\$\$USER\$\$\$\$\$