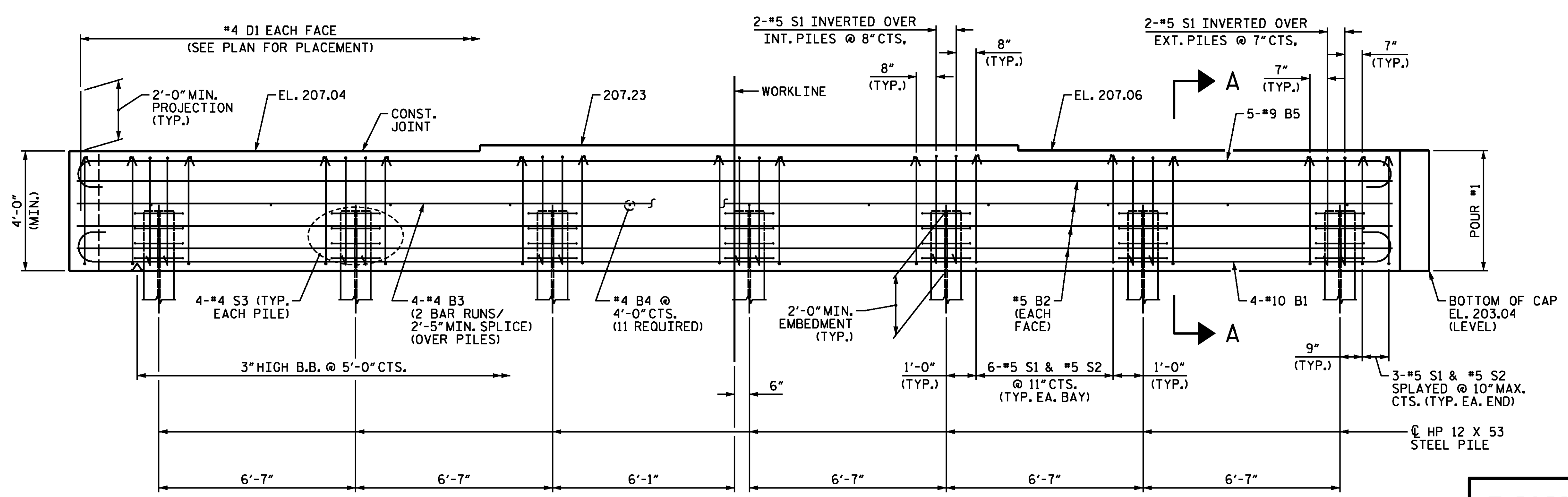
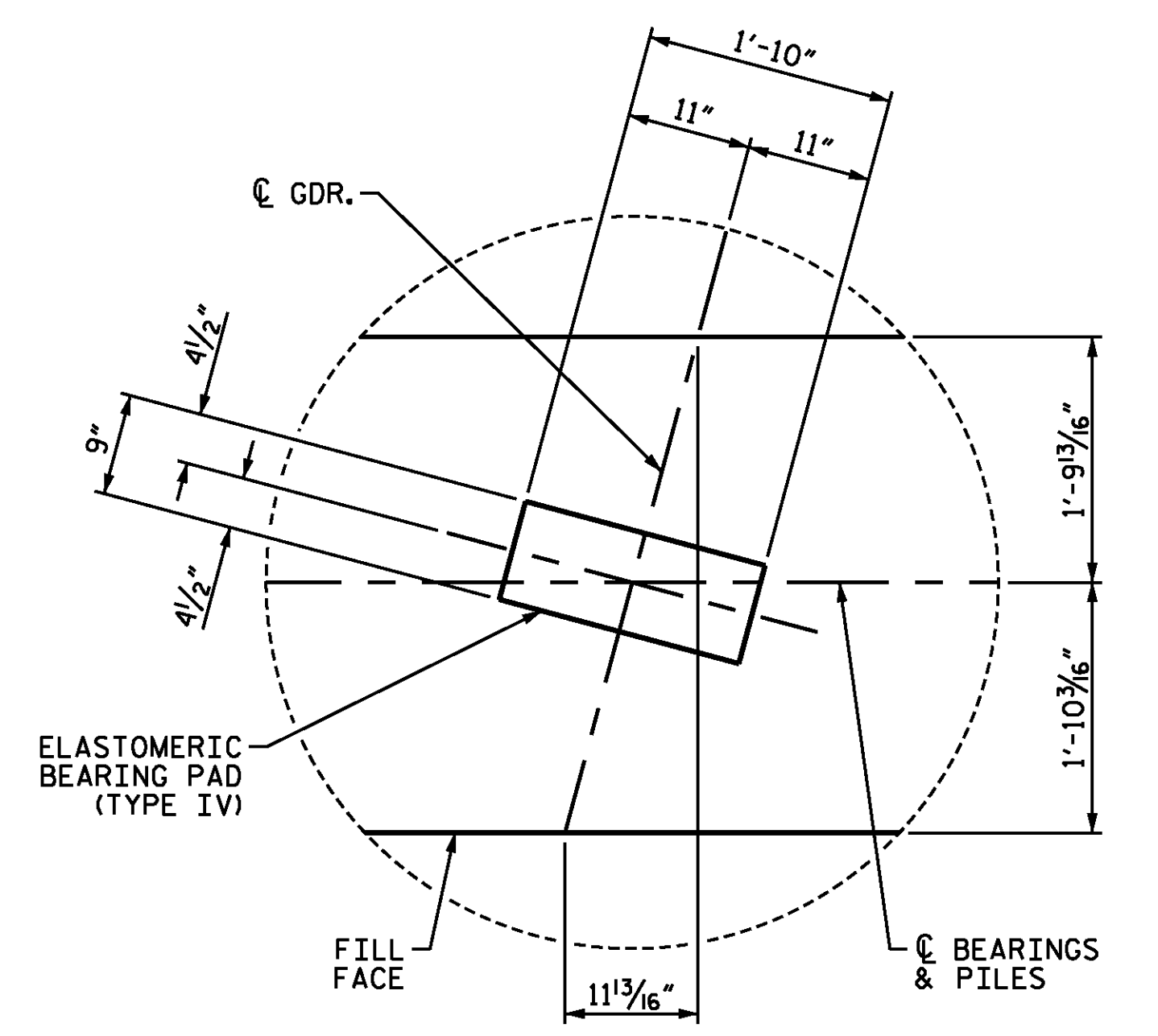


PLAN



ELEVATION

NOTE
 *4 D1 BARS MAY BE SHIFTED SLIGHTLY TO AVOID STIRRUPS IN CAP.
 FOR PILE SPLICE DETAILS AND SECTION A-A, SEE SHEET 2 OF 2.
 FOR BEARING DETAILS, SEE "BEARING DETAILS" SHEET.



DETAIL A
 (TYP. EACH BEARING)

PROJECT NO. B-4616
ROBESON COUNTY
 STATION: 31+55.47 -L-
 SHEET 1 OF 2

STATE OF NORTH CAROLINA
 DEPARTMENT OF TRANSPORTATION
 RALEIGH
 SUBSTRUCTURE
 INTEGRAL
 END BENT 1

WSP
PARSONS BRINCKERHOFF
 434 FAYETTEVILLE STREET
 SUITE 1500
 RALEIGH, NC 27601
 LICENSE NO. F-0165

SEAL
 NORTH CAROLINA
 ENGINEER
 MICHAEL A. PIERCE
 8/2/2016

DESIGNED BY:	J.D. BORUTA	DATE :	04/2016
DRAWN BY:	M.J. OSTRISHKO	DATE :	04/2016
CHECKED BY:	E. ULLMER	DATE :	05/2016
DESIGN ENGINEER OF RECORD:	N.A. PIERCE	DATE :	06/2016

REVISIONS				SHEET NO.	
NO.	BY:	DATE:	NO.	BY:	DATE:
1			3		
2			4		

TOTAL SHEETS: 25

**DOCUMENT NOT CONSIDERED FINAL
 UNLESS ALL SIGNATURES COMPLETED**