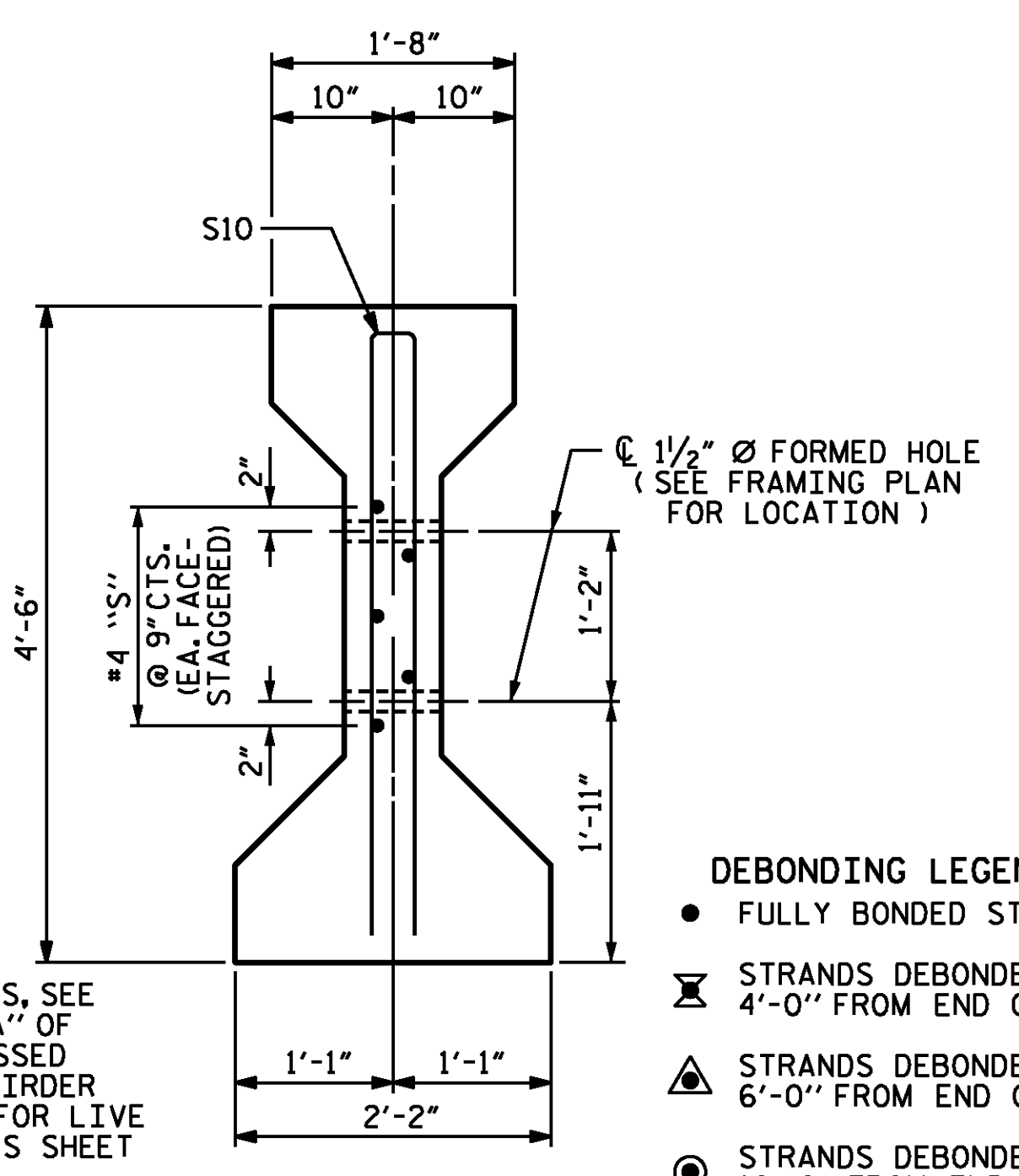


SECTION A-A

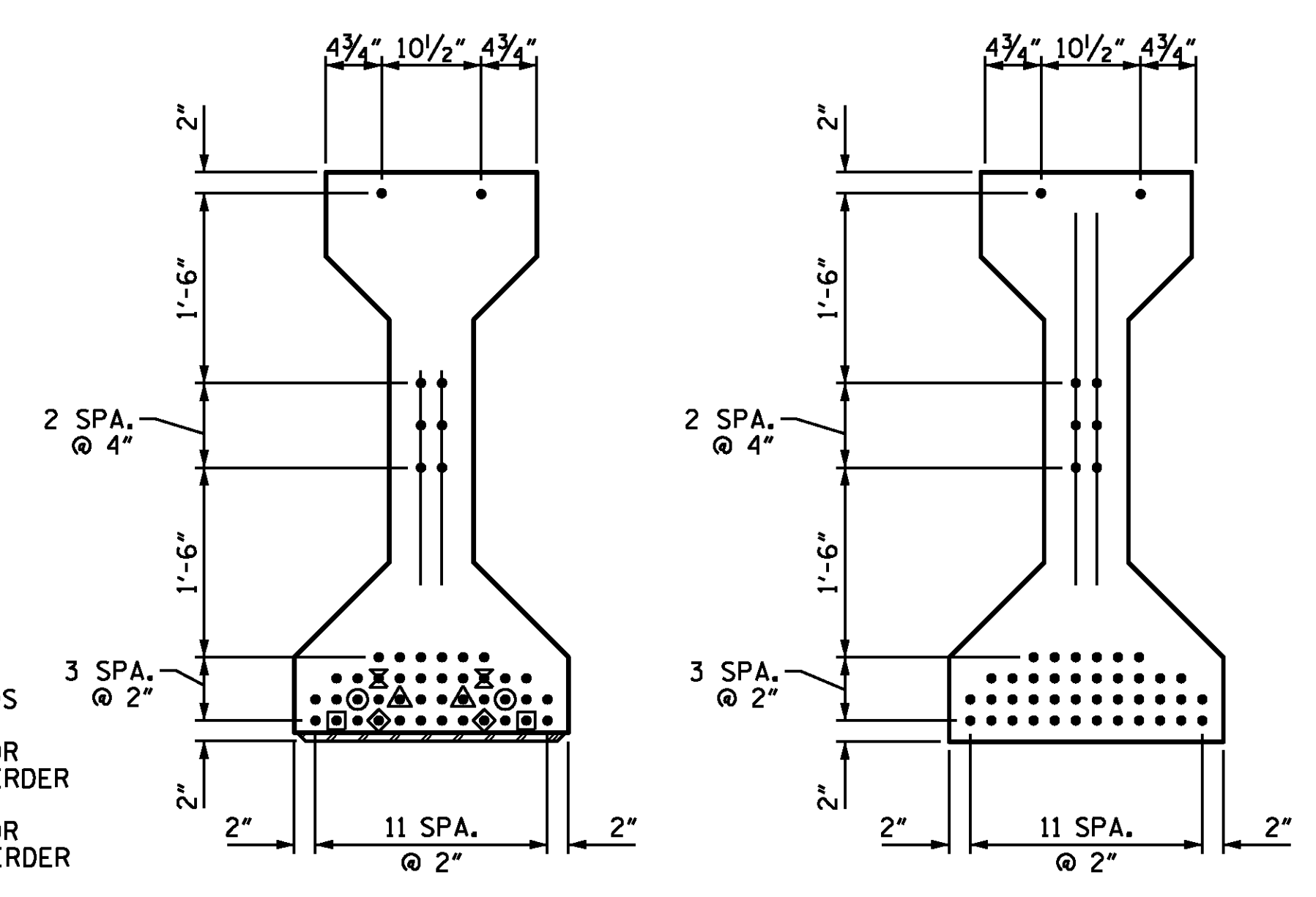
SECTION B-B



SECTION C-C
(S1 BARS NOT SHOWN)

* FOR S7 BARS, SEE
DETAIL "A" OF
PRESTRESSED
CONCRETE GIRDER
CONTINUOUS FOR LIVE
LOAD DETAILS SHEET

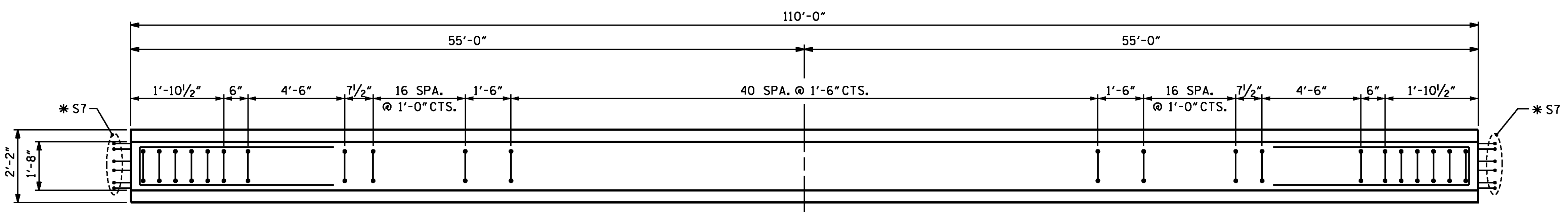
- DEBONDING LEGEND**
- FULLY BONDED STRANDS
 - ⊘ STRANDS DEBONDED FOR 4'-0" FROM END OF GIRDER
 - ⊘ STRANDS DEBONDED FOR 6'-0" FROM END OF GIRDER
 - ⊘ STRANDS DEBONDED FOR 10'-0" FROM END OF GIRDER
 - ⊘ STRANDS DEBONDED FOR 12'-0" FROM END OF GIRDER
 - ⊘ STRANDS DEBONDED FOR 22'-0" FROM END OF GIRDER



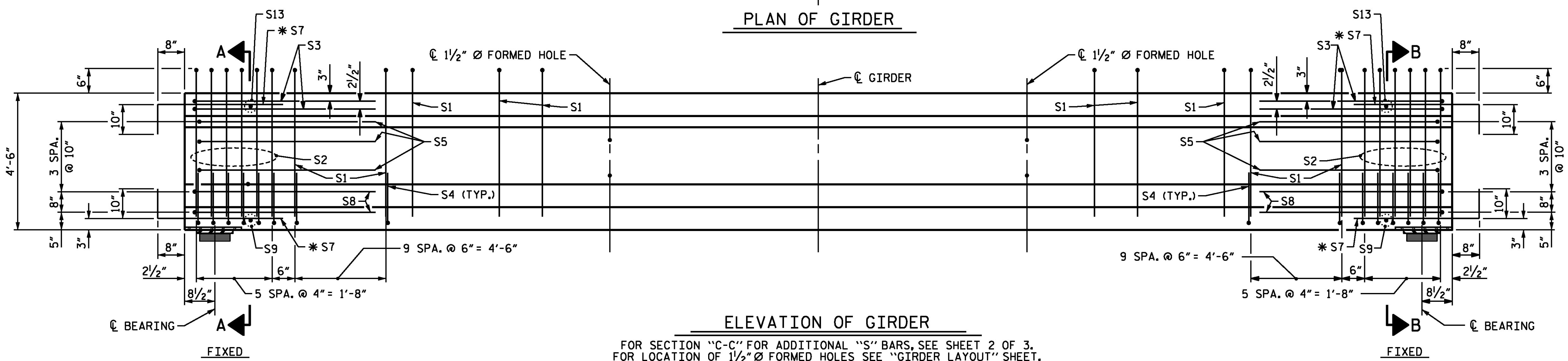
AT END OF GIRDER

AT C OF GIRDER

0.6" Ø LOW RELAXATION STRAND LAYOUT



PLAN OF GIRDER



ELEVATION OF GIRDER

FOR SECTION "C-C" FOR ADDITIONAL "S" BARS, SEE SHEET 2 OF 3.
FOR LOCATION OF 1/2" Ø FORMED HOLES SEE "GIRDER LAYOUT" SHEET.

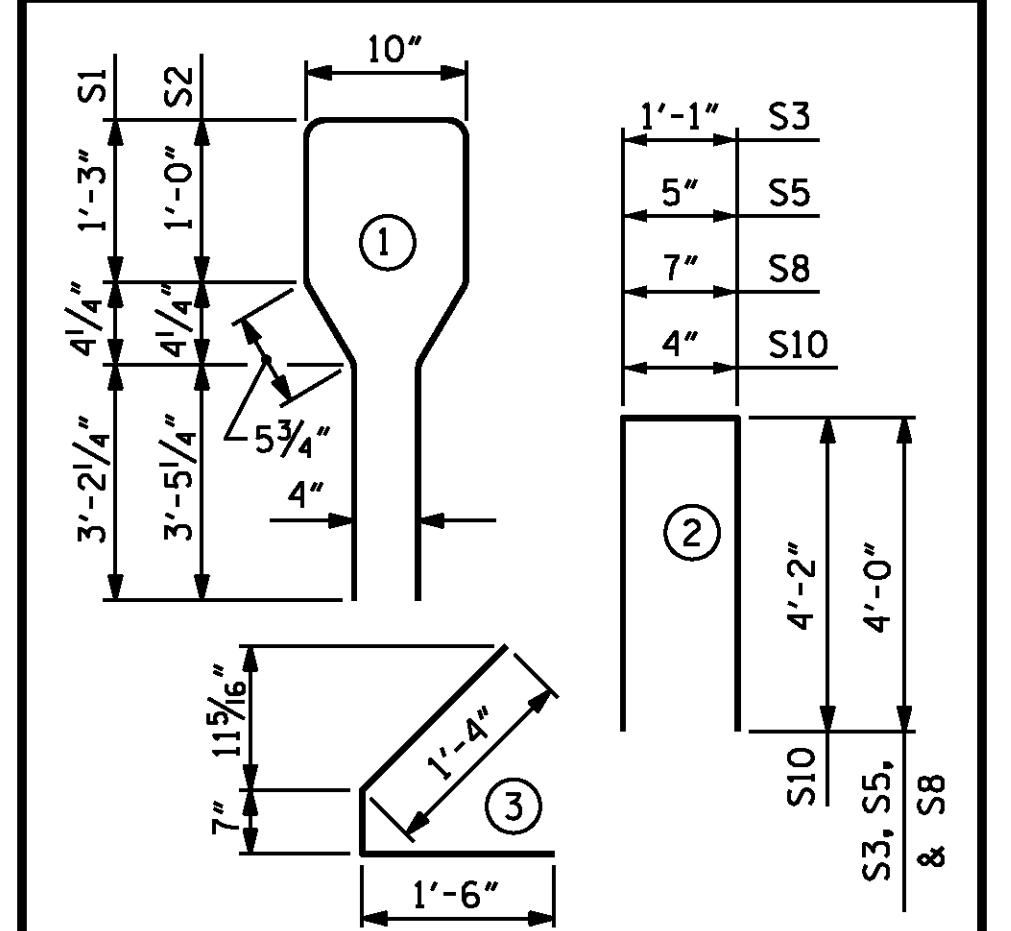
0.6" Ø L. R. GRADE 270 STRANDS		
AREA (SQUARE INCHES)	ULTIMATE STRENGTH (LBS. PER STRAND)	APPLIED PRESTRESS (LBS. PER STRAND)
0.217	58,600	43,950

REINFORCING STEEL FOR ONE GIRDER					
BAR	NUMBER	SIZE	TYPE	LENGTH	WEIGHT
S1	95	#4	1	10'-8"	677
S2	12	#6	1	10'-8"	192
S3	4	#4	2	9'-1"	24
S4	64	#4	3	3'-5"	146
S5	6	#4	2	8'-5"	34
*S7	24	#5	STR	3'-8"	92
S8	4	#5	2	8'-7"	36
S9	2	#3	STR	1'-10"	1
S10	4	#5	2	8'-8"	36
S11	10	#4	STR	7'-0"	47
S13	2	#3	STR	1'-4"	1

* NOTE: S7 BARS SHALL BE BENT BEFORE SHIPMENT. HEAT BENDING SHALL NOT BE ALLOWED.

BAR TYPES

ALL BAR DIMENSIONS ARE OUT-TO-OUT



QUANTITIES FOR ONE GIRDER

GIRDER QUANTITY	REINFORCING STEEL	9000 PSI CONCRETE	0.6" Ø L. R. STRANDS
	LB.	C.Y.	No.
1	1,286	22.3	48

GIRDERS REQUIRED

NUMBER	LENGTH	TOTAL LENGTH
4	110'-0"	440'-0"

PROJECT NO. B-4616
ROBESON COUNTY
 STATION: 31+55.47 -L-

SHEET 1 OF 3

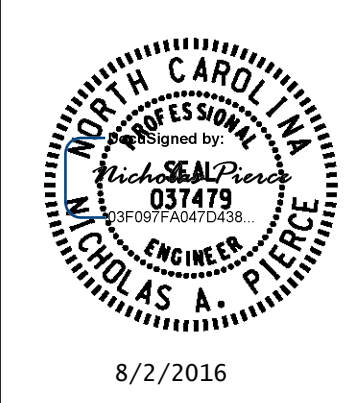
STATE OF NORTH CAROLINA
 DEPARTMENT OF TRANSPORTATION
 RALEIGH
 STANDARD
 AASHTO TYPE IV
 PRESTRESSED CONCRETE GIRDER
 CONTINUOUS FOR LIVE LOAD

DESIGNED BY:	C.J. HOWARD	DATE:	04/2016
DRAWN BY:	M.J. OSTRISHKO	DATE:	04/2016
CHECKED BY:	J.D. BORUTA	DATE:	05/2016
DESIGN ENGINEER OF RECORD:	N.A. PIERCE	DATE:	06/2016

DRAWN BY:	ELR 8/91	REV. 5/1/06R	TLA/GM
CHECKED BY:	GRP 8/91	REV. 10/1/11	MAA/GM
		REV. 1/15	MAA/TMG

7/28/2016
 R:\Raleigh Office\NCDOT\B-4616 Robeson County\400.Structures\Drafting\Superstructure\401.021.B4616.SMU.G01.dgn
 usmo04281

WSP
PARSONS BRINCKERHOFF
 434 FAYETTEVILLE STREET
 SUITE 1500
 RALEIGH, NC 27601
 LICENSE NO. F-0165



8/2/2016

**DOCUMENT NOT CONSIDERED FINAL
 UNLESS ALL SIGNATURES COMPLETED**

REVISIONS						SHEET NO. S1-11
NO.	BY:	DATE:	NO.	BY:	DATE:	
1			3			TOTAL SHEETS 25
2			4			

STD. NO. PCG6