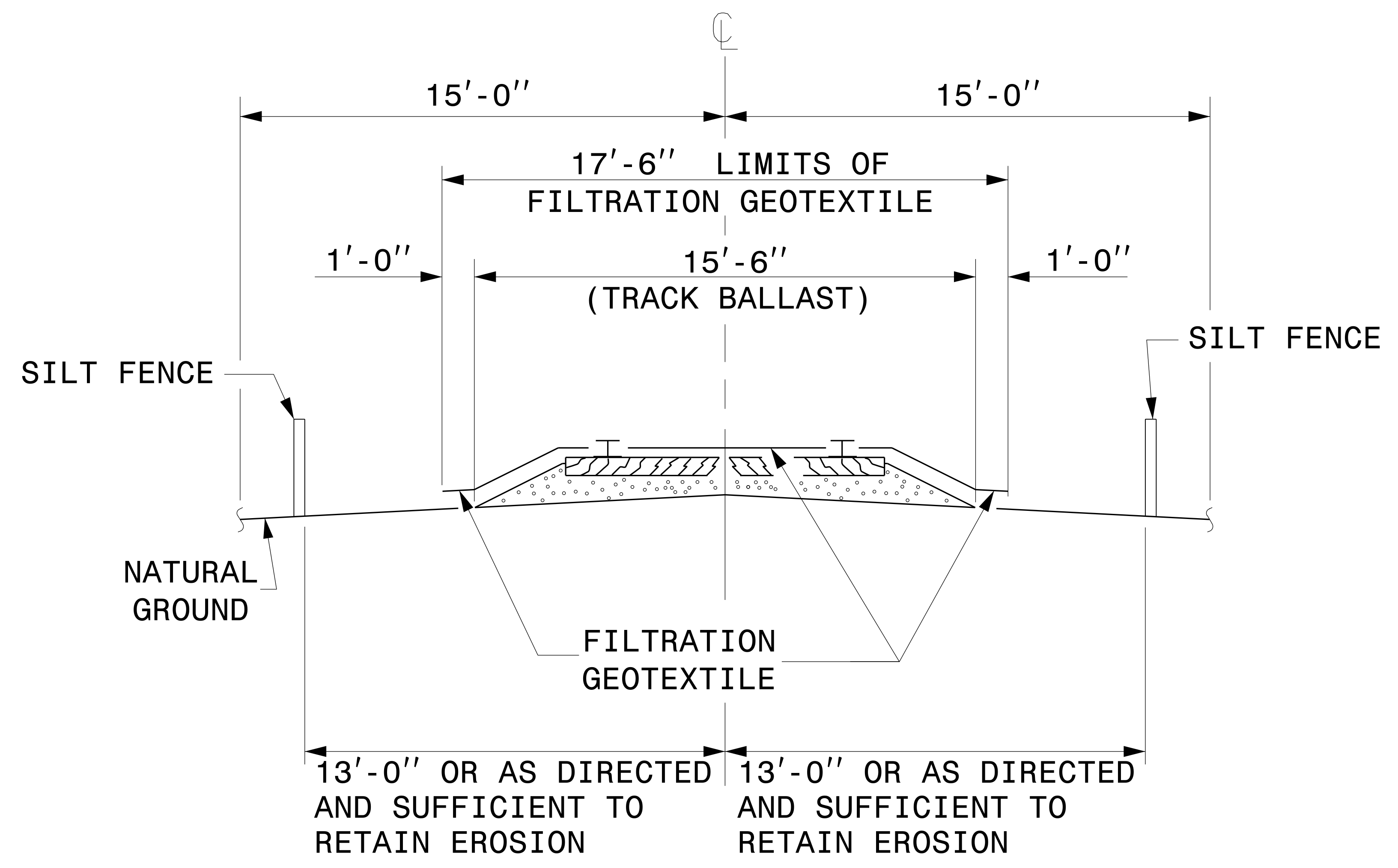


PROJECT REFERENCE NO. B-4616	SHEET NO. EC-2E
RW SHEET NO.	
ROADWAY DESIGN ENGINEER	HYDRAULICS ENGINEER

RAILROAD EROSION CONTROL DETAIL



NOTES

INSTALL RAILROAD EROSION CONTROL MEASURES PRIOR TO PERFORMING ANY WORK IN THE RAILROAD RIGHT-OF-WAY.

ADDITIONAL EROSION CONTROL MEASURES FOR PROTECTION OF RAILROAD DITCHES MAY BE REQUIRED AS DIRECTED.

NO SEPARATE MEASUREMENT OR PAYMENT WILL BE MADE FOR RAILROAD EROSION CONTROL MEASURES.

EXTEND LIMITS OF SILT FENCE AND FILTRATION GEOTEXTILE PARALLEL TO RAILROAD A MINIMUM OF 10'-0" OUTSIDE EDGE OF SUPERSTRUCTURE OR TOE OF SLOPE ON CONSTRUCTION. A GREATER LENGTH OF SILT FENCE OR FILTRATION GEOTEXTILE MAY BE REQUIRED AS DIRECTED.

NAIL FILTRATION GEOTEXTILE TO TIMBER RAIL TIES WITH PRIME SOURCE "GRIP CAP" OR EQUIVALENT. SECURE FILTRATION GEOTEXTILE ON SHOULDER AS DIRECTED BY THE RAILROAD AND NCDOT.