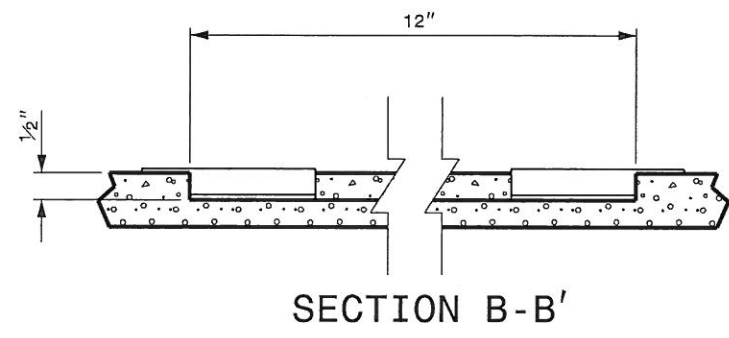
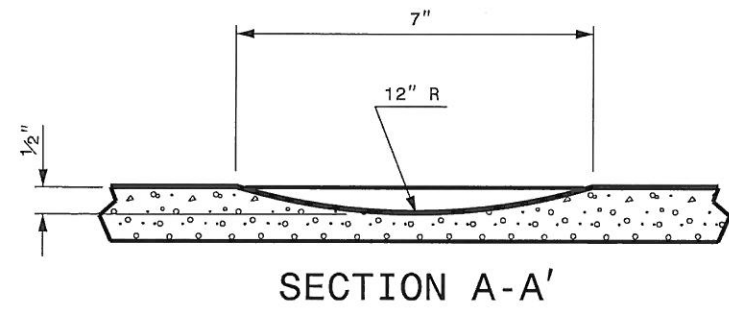



**MILLING DETAIL**



**NOTE:**

- 1) USING A VACUUM, REMOVE ALL DEBRIS FROM THE MILLINGS JUST PRIOR TO PLACING ANY PAVEMENT MARKINGS.
- 2) ENSURE GLASS BEADS ARE SPREAD UNIFORMLY OVER THE ENTIRE SURFACE OF THE PAVEMENT MARKING MATERIAL.
- 3) DO NOT MILL AREA WHERE SNOWPLOWABLE MARKER ARE INSTALLED.

7/22/2015 S:\S&DU\Standards and Drawings\Drawings\Milled Rumble Stripe\Milled Centerline Rumble Stripe NC 9.dgn User:ammar.abbaz

APPROVED: _____	DATE: _____	<b>MILLED CENTERLINE RUMBLE STRIPE</b>			
SEAL	SCALE: NONE				
	DATE: 10/2013	REVISIONS			
	DWG. BY: MRM				
	DESIGN BY: MRM				
	REVIEWED BY: CBH				