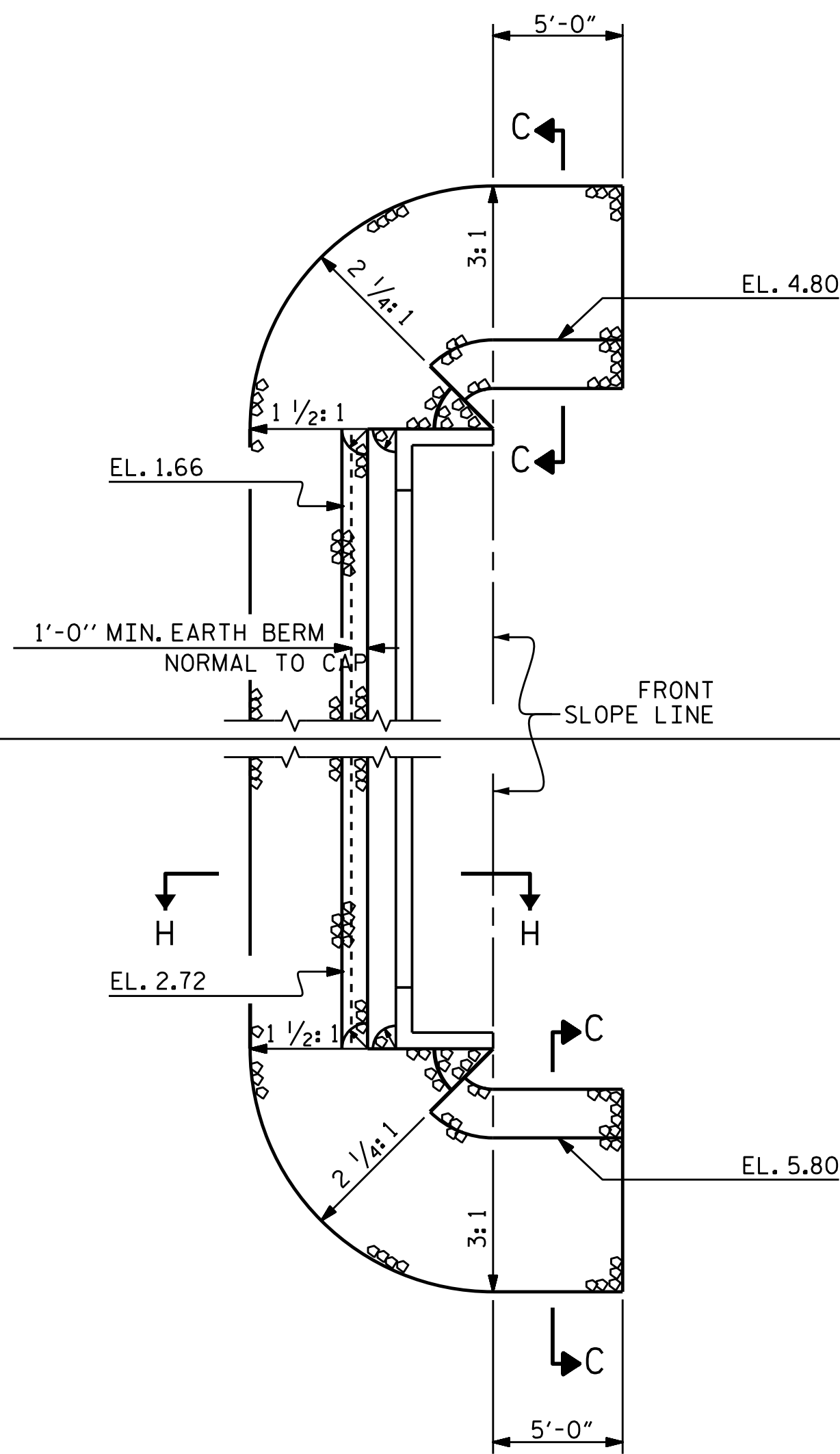
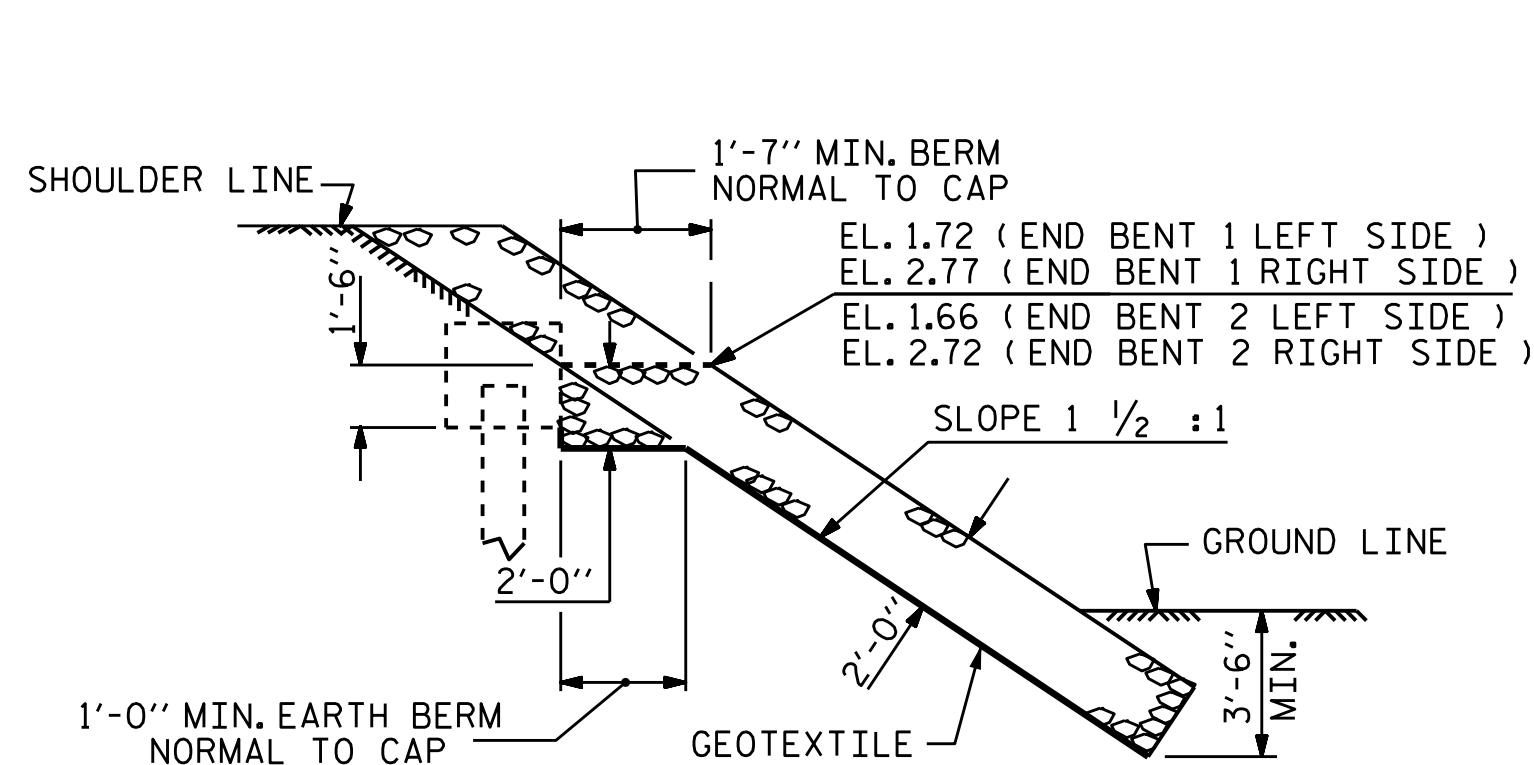


END BENT No: 1

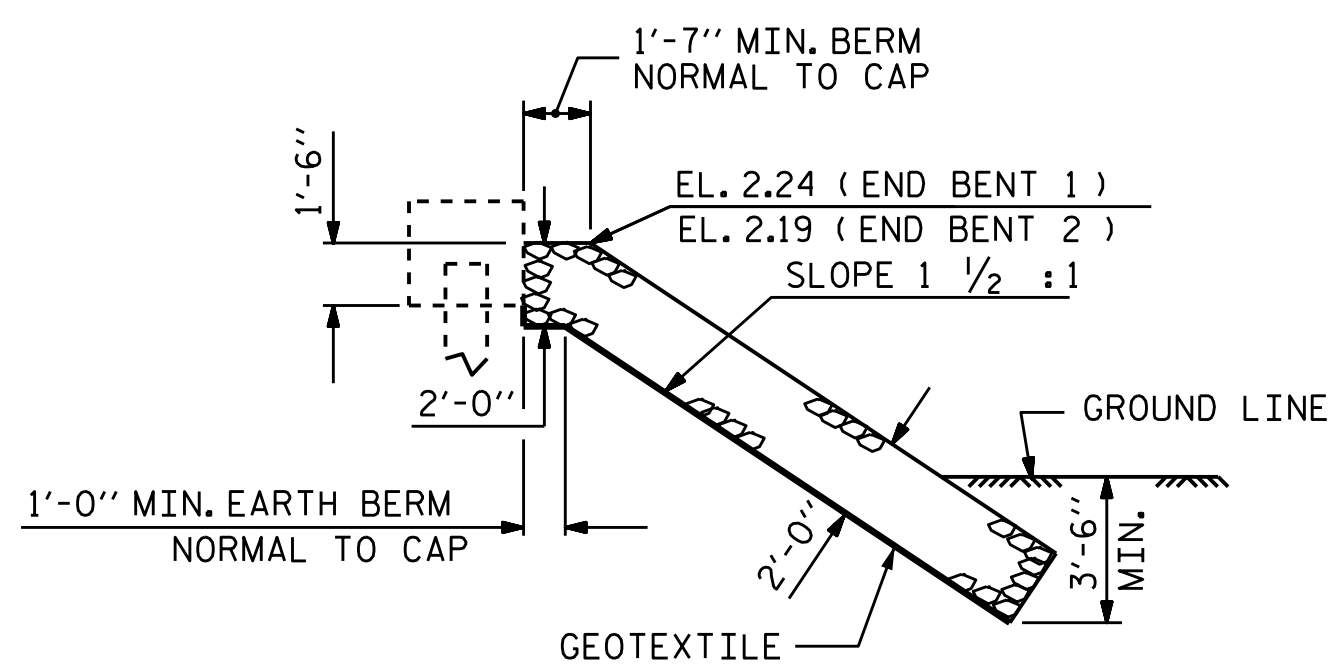


END BENT No: 2

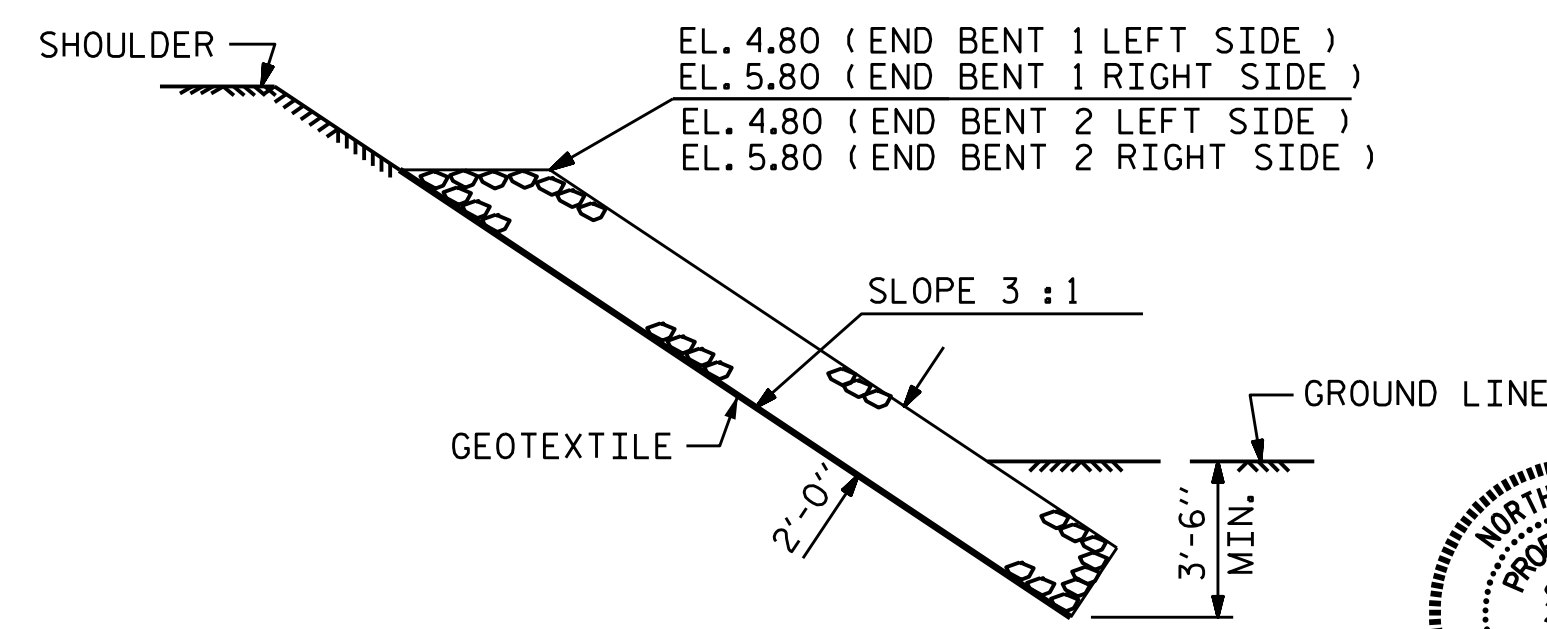
ESTIMATED QUANTITIES		
BRIDGE @ STA. 16+43.00 -L-	RIP RAP CLASS II (2'-0" THICK)	GEOTEXTILE FOR DRAINAGE
	TONS	SQUARE YARDS
END BENT 1	120	135
END BENT 2	120	135



SECTION H-H



**SECTION C-C
BERM RIP RAPPED**



SECTION C-C

PROJECT NO. B-4598
PAMLICO COUNTY
 STATION: 16+43.00 -L-



STATE OF NORTH CAROLINA
 DEPARTMENT OF TRANSPORTATION
 RALEIGH
 STANDARD
 —RIP RAP DETAILS—

ASSEMBLED BY : M.M. AHMED DATE : 9/1/16
 CHECKED BY : A. SORSENGINH DATE : 9/20/16
 DRAWN BY : REK 1/84 REV. 5/1/06R TLA/GM
 CHECKED BY : ROU 1/84 REV. 10/1/11 MAA/GM
 REV. 12/21/11 MAA/GM

DOCUMENT NOT CONSIDERED
 FINAL UNLESS ALL
 SIGNATURES COMPLETED

REVISIONS						SHEET NO.	
NO.	BY:	DATE:	NO.	BY:	DATE:	S-17	
1			3			TOTAL SHEETS	
2			4			18	