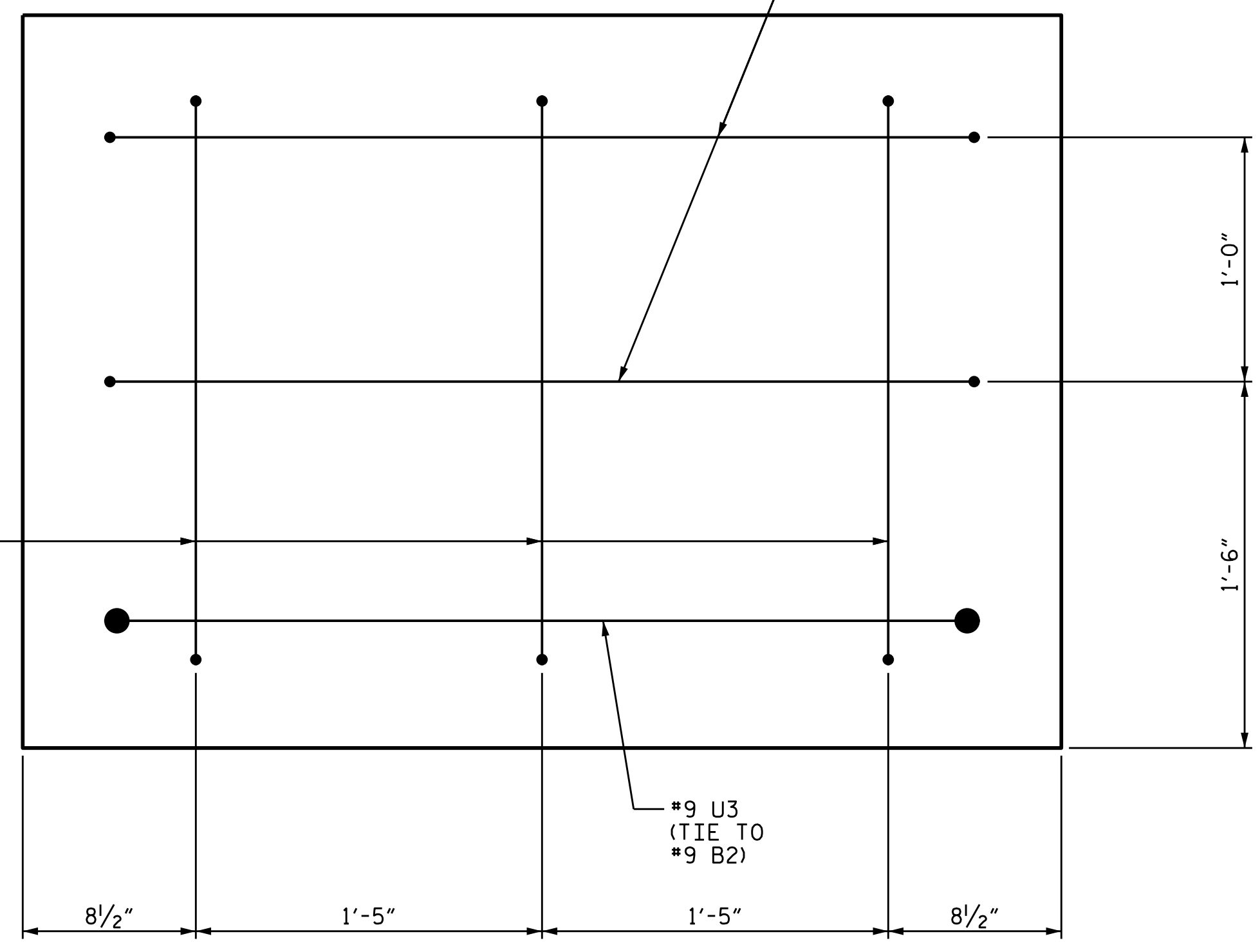


BILL OF MATERIAL					
BENT No. 1					
BAR	NO.	SIZE	TYPE	LENGTH	WEIGHT
* B1	10	#11	1	41'-0"	2178
* B2	4	#5	STR	38'-0"	159
* B3	16	#4	STR	20'-5"	218
* B4	10	#4	STR	3'-9"	25
* S1	44	#5	2	9'-7"	440
* S2	42	#4	3	6'-8"	187
* U1	4	#4	3	6'-7"	18
* U2	6	#4	3	5'-4"	21
* U3	2	#9	3	10'-11"	74
*EPOXY COATED REINFORCING STEEL					3320 LBS
TOTAL CLASS AA CONCRETE					▲ 17.7 C.Y.
12" PRESTRESSED CONCRETE PILES					
No. 14					LIN. FT. 420
PILE REDRIVES					14 EA.
PILE DRIVING EQUIPMENT SETUP FOR 12" PRESTRESSED CONCRETE PILES					14 EA.



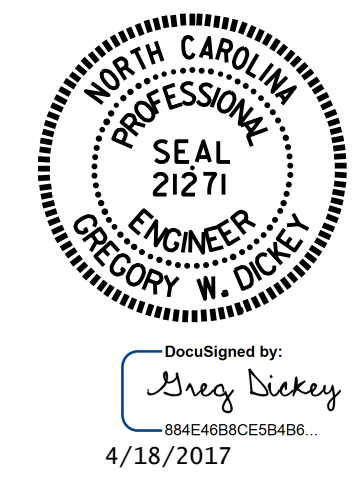
PROJECT NO. B-4598
PAMLICO COUNTY
 STATION: 16+43.00 -L-

SHEET 2 OF 3

STATE OF NORTH CAROLINA
 DEPARTMENT OF TRANSPORTATION
 RALEIGH

SUBSTRUCTURE
 BENT No. 1

REVISIONS						SHEET NO.
NO.	BY:	DATE:	NO.	BY:	DATE:	S-15
1			3			TOTAL SHEETS 18
2			4			



DOCUMENT NOT CONSIDERED FINAL UNLESS ALL SIGNATURES COMPLETED

DRAWN BY : M.M. AHMED	DATE : 9/8/16
CHECKED BY : A. SORSENGINH	DATE : 9/20/16
DRAWN BY : DGE 05/10	REV. 11/14
CHECKED BY : MKT 05/10	MAA/TMG