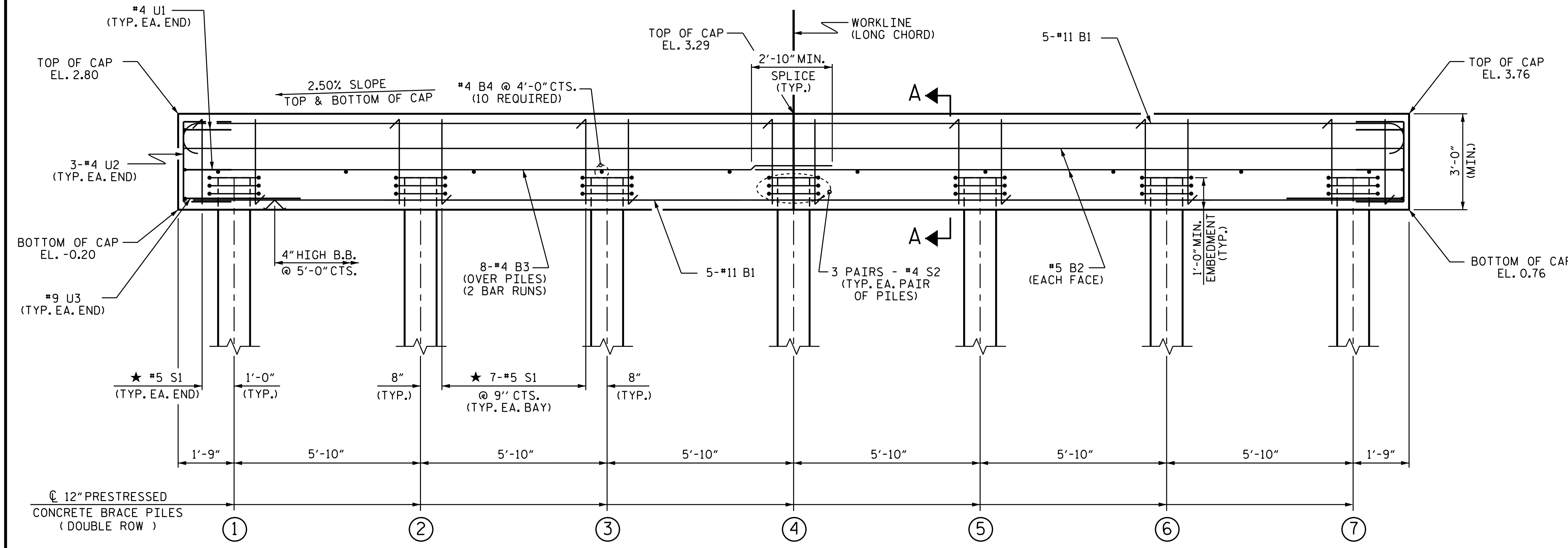
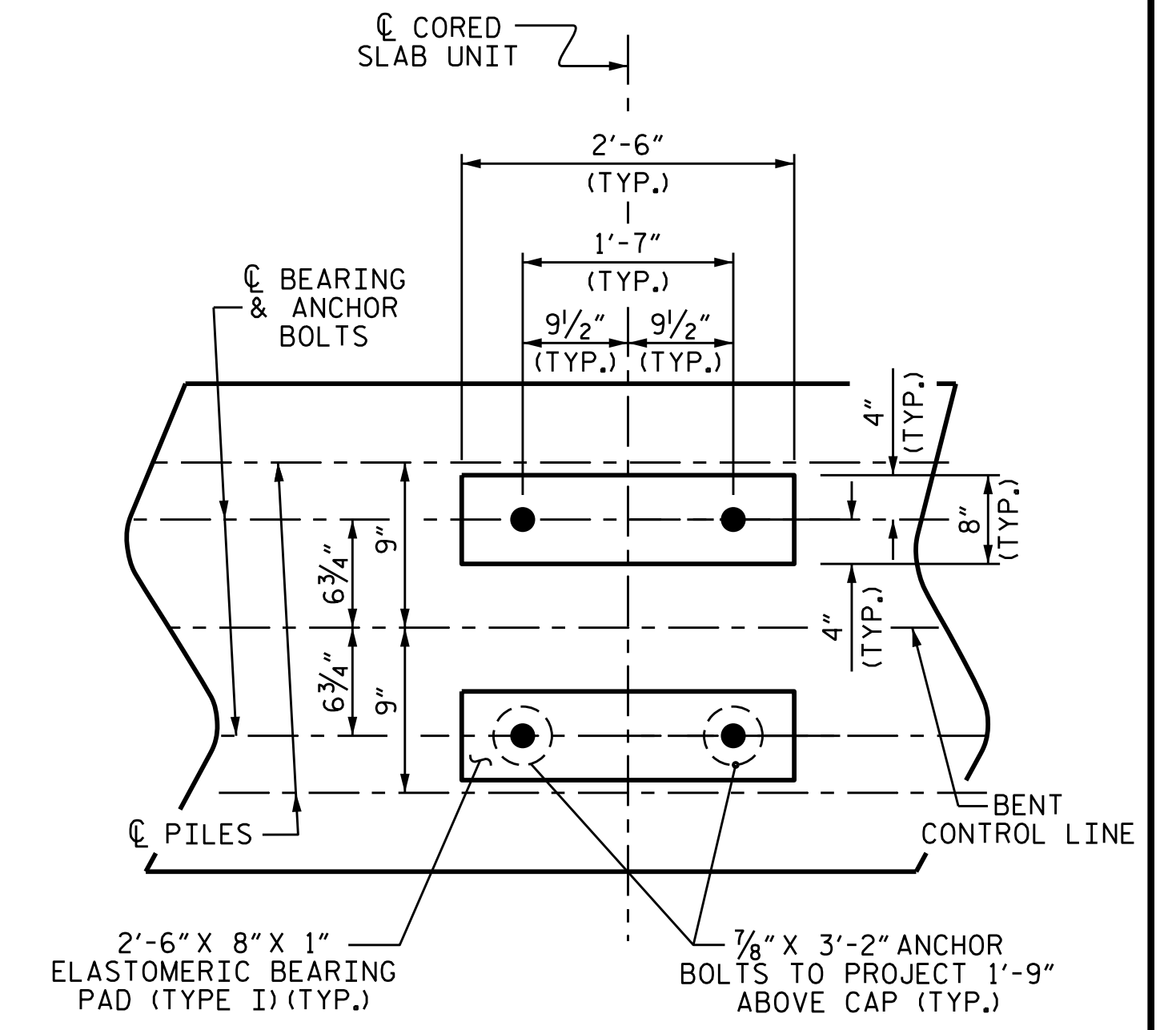
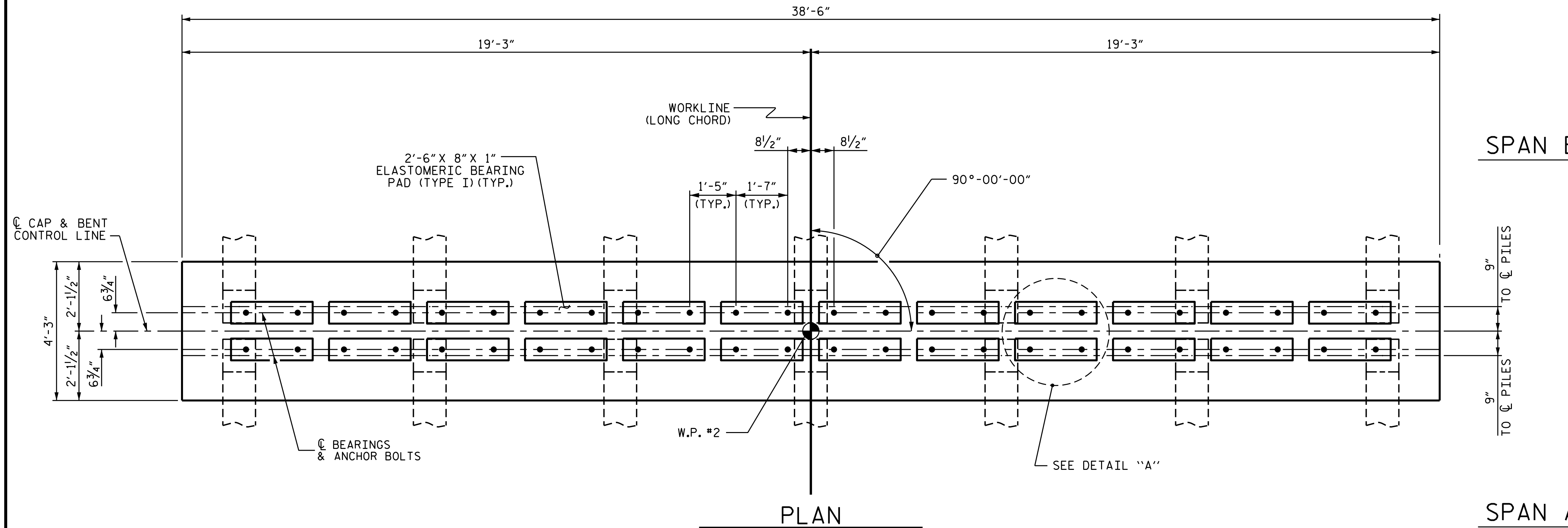


NOTES

STIRRUPS IN CAP MAY BE SHIFTED AS NECESSARY TO CLEAR ANCHOR BOLTS.
 ★INVERT ALTERNATE STIRRUPS.
 FOR PRESTRESSED CONCRETE PILE DETAILS, SEE SHEET 3 OF 3.



TOP OF PILE ELEVATIONS

①	0.85
②	0.99
③	1.14
④	1.28
⑤	1.43
⑥	1.57
⑦	1.72

PROJECT NO. B-4598
PAMLICO COUNTY
 STATION: 16+43.00 -L-

SHEET 1 OF 3



STATE OF NORTH CAROLINA
 DEPARTMENT OF TRANSPORTATION
 RALEIGH

**SUBSTRUCTURE
 BENT No. 1**

ASSEMBLED BY : M.M. AHMED DATE : 9/6/16
 CHECKED BY : A. SORSENGINH DATE : 9/20/16
 DRAWN BY : DGE 06/10
 CHECKED BY : MKT 06/10

REV. 11/14 MAA/TMG

DOCUMENT NOT CONSIDERED FINAL UNLESS ALL SIGNATURES COMPLETED

REVISIONS						SHEET NO.
NO.	BY:	DATE:	NO.	BY:	DATE:	S-14
1			3			TOTAL SHEETS
2			4			18