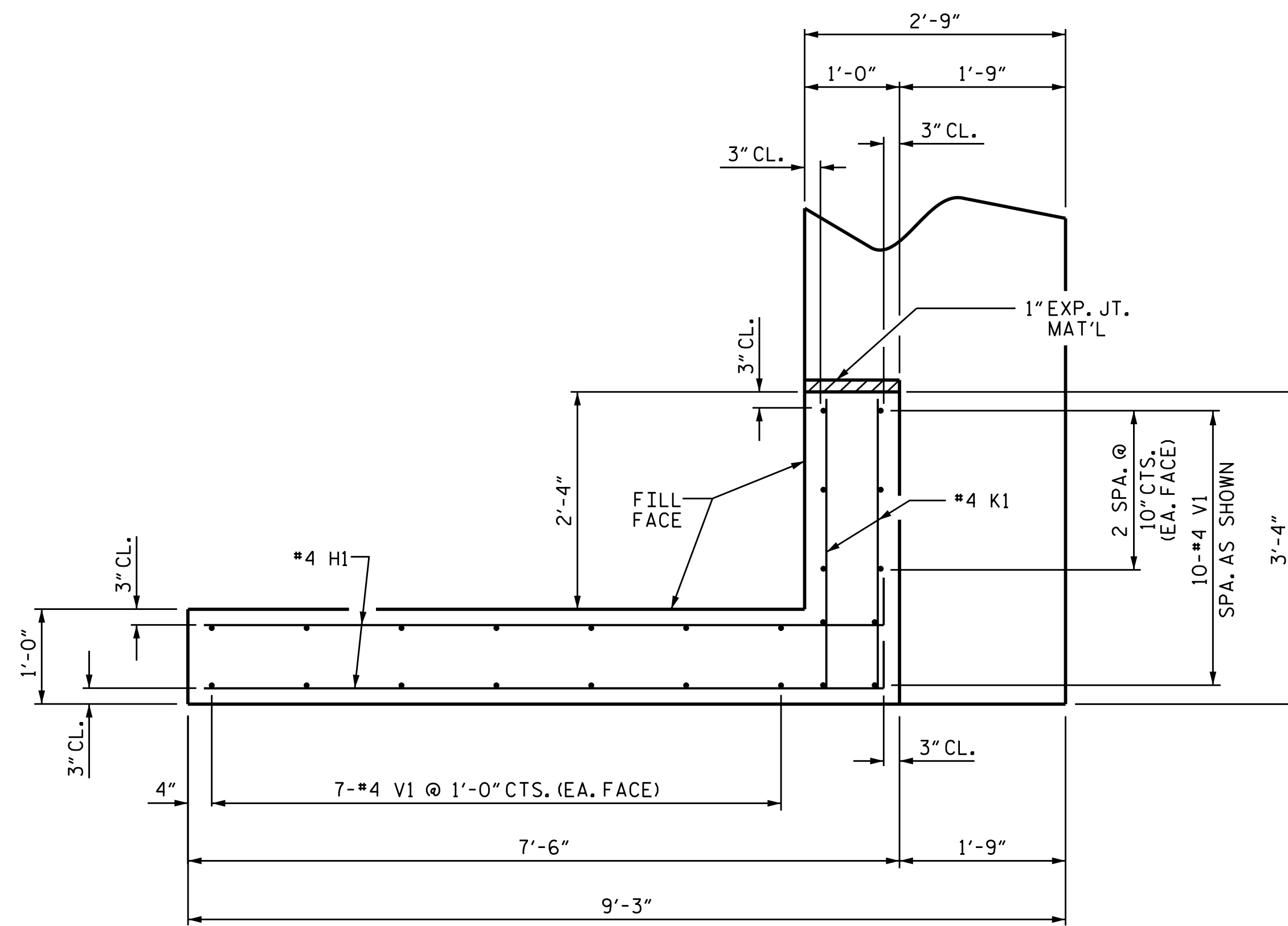
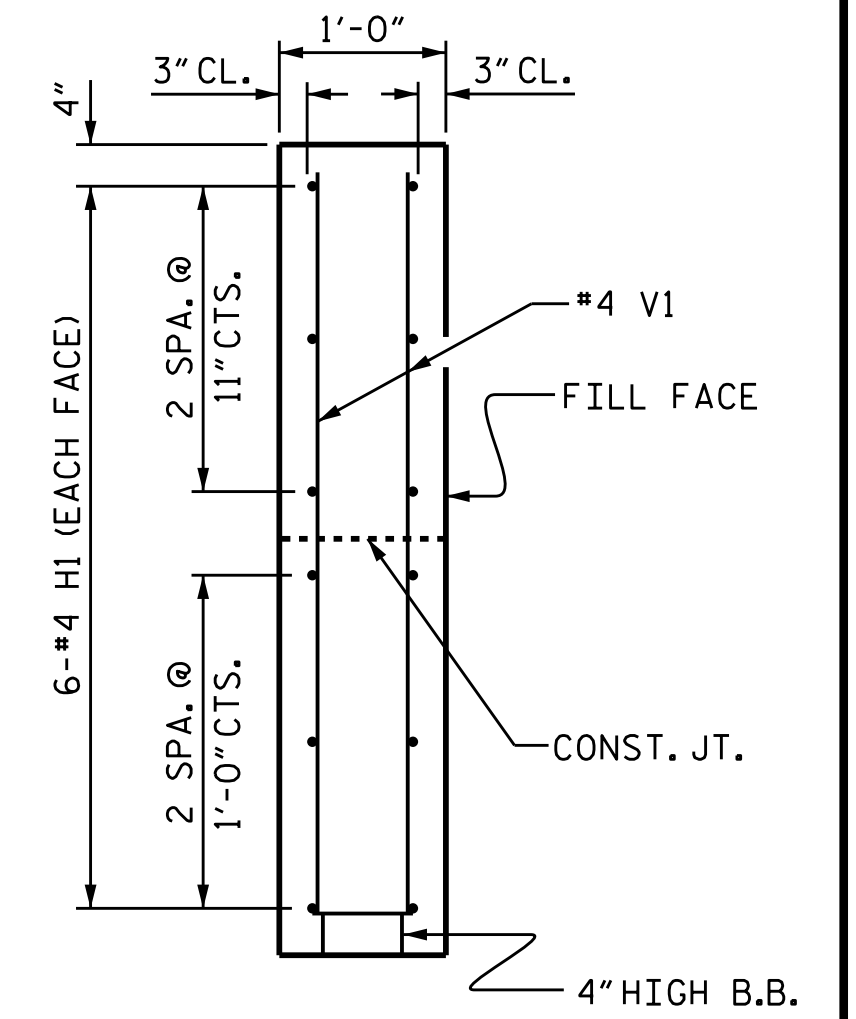


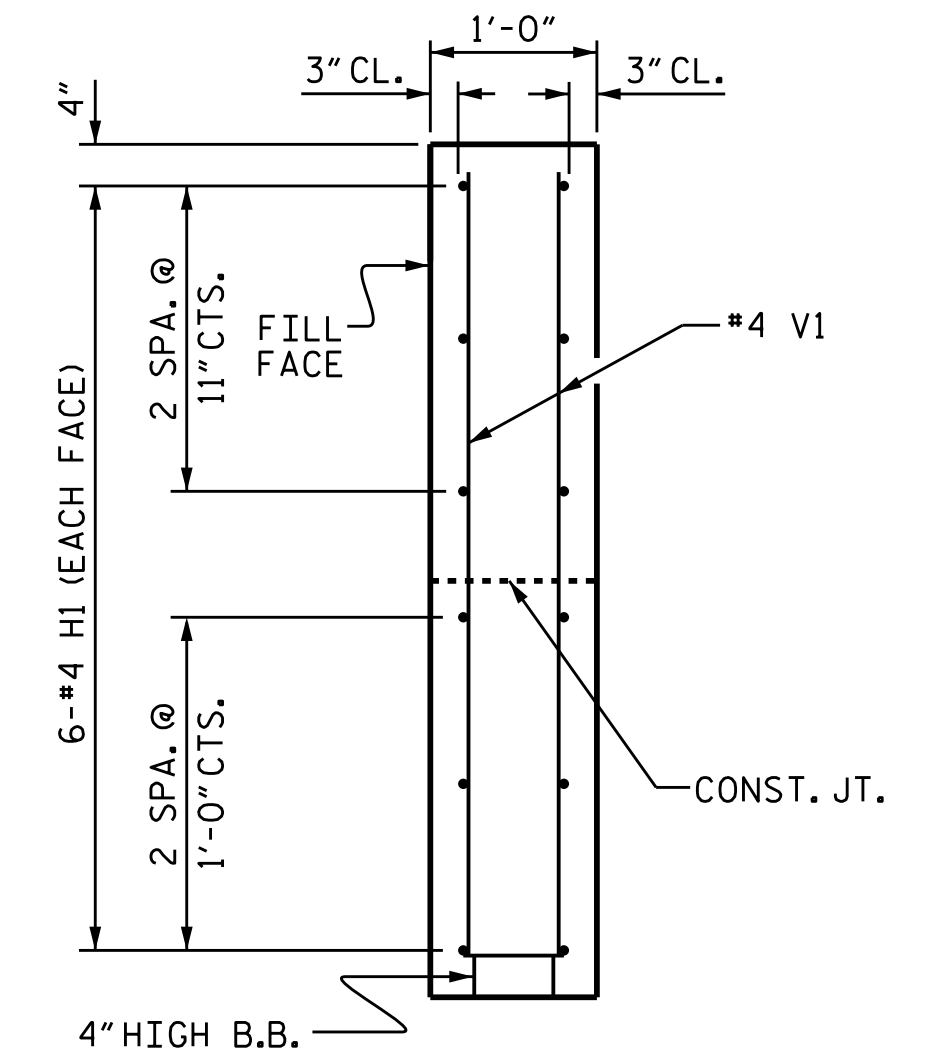
PLAN OF WING (W1)



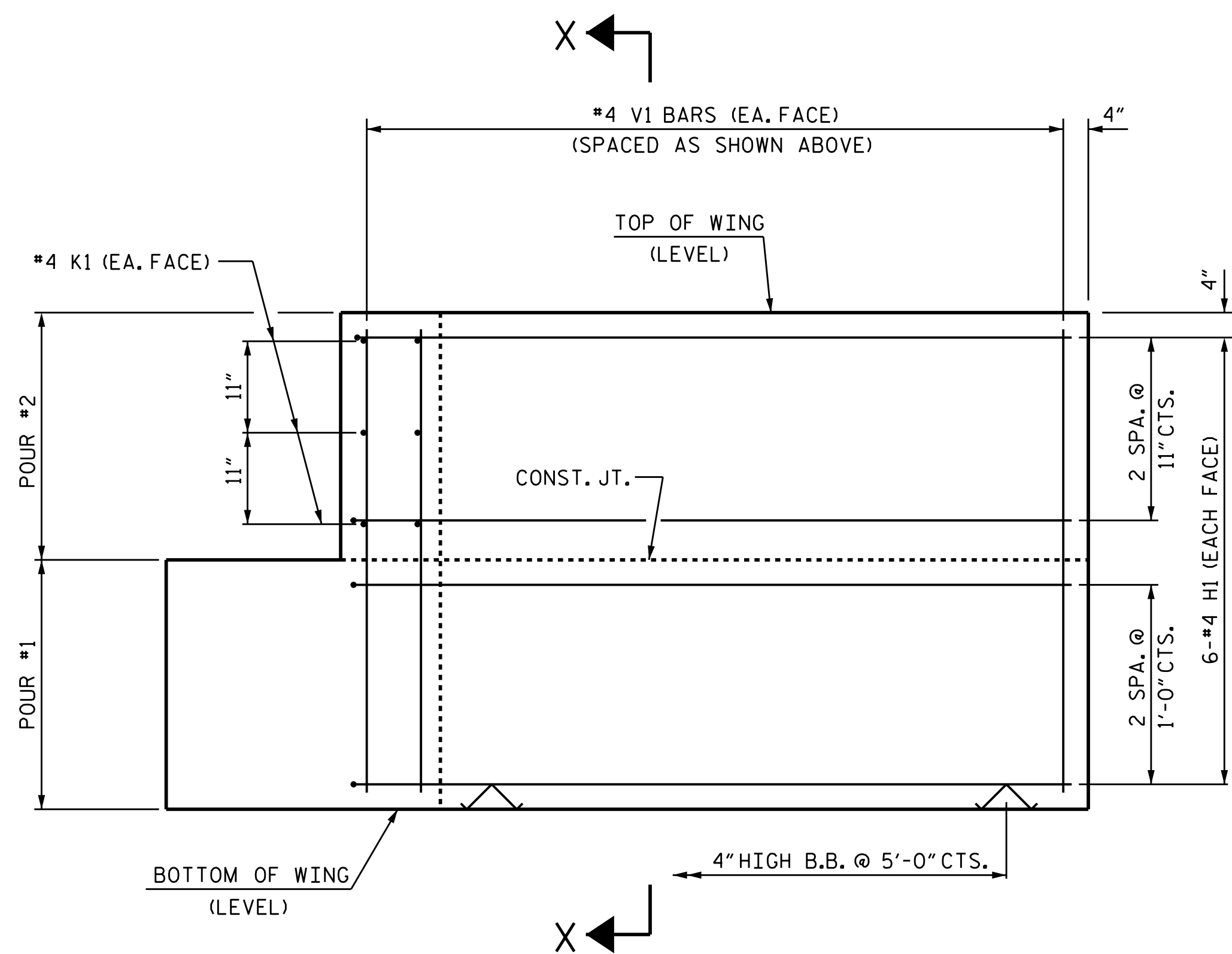
PLAN OF WING (W2)



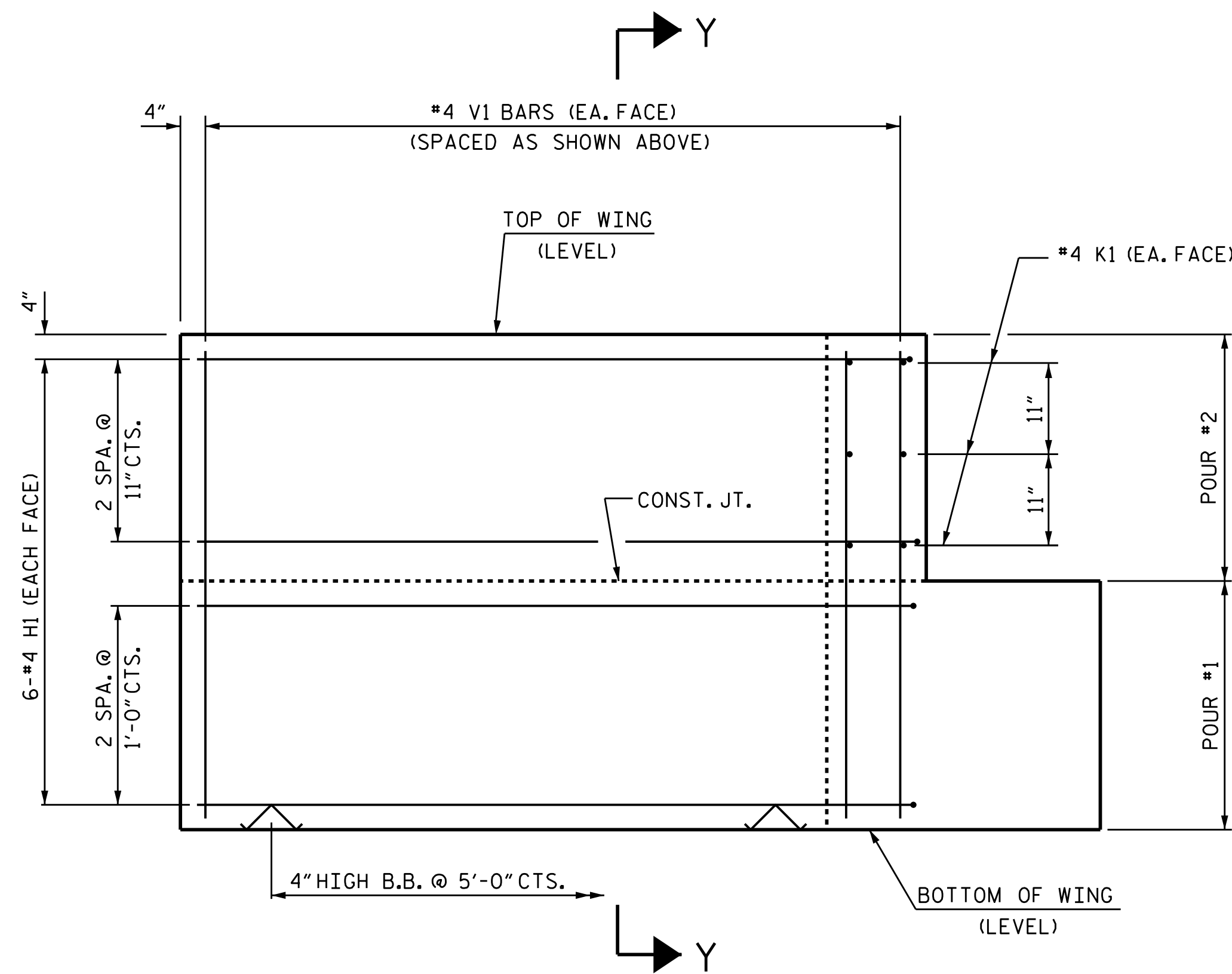
SECTION X-X



SECTION Y-Y



ELEVATION OF WING (W1)



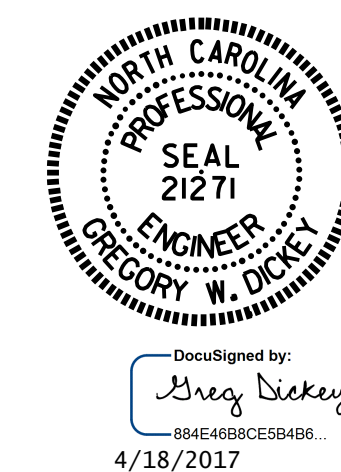
ELEVATION OF WING (W2)

WING DETAILS

PROJECT NO. B-4598
 PAMLICO COUNTY
 STATION: 16+43.00 -L-
 SHEET 3 OF 5

STATE OF NORTH CAROLINA
 DEPARTMENT OF TRANSPORTATION
 RALEIGH

SUBSTRUCTURE
 END BENT
 WING DETAILS



ASSEMBLED BY : M.M. AHMED DATE : 4/1/16
 CHECKED BY : A. SORSENGINH DATE : 9/20/16
 DRAWN BY : DGE 02/10
 CHECKED BY : MKT 02/10 REV. 4/15 MAA/TMG

DOCUMENT NOT CONSIDERED
 FINAL UNLESS ALL
 SIGNATURES COMPLETED

REVISIONS						SHEET NO.	
NO.	BY:	DATE:	NO.	BY:	DATE:	S-11	
1			3			TOTAL SHEETS 18	
2			4				